

- 1
- 2
- 3
- 4
- 5
- 6
- 7
- 8
- 9
- 10
- 11
- 12
- 13
- 14
- 15
- 16
- 17
- 18

### STANDARD EXECUTIONS

AISI 303 stainless steel base and joint with hole or threaded stem.  
AISI 304 stainless steel nut.

- **LM-SST-AC (d)**: with threaded blind hole.
- **LM-SST-AC (d - l)**: with threaded stem.

### BEARING PROTECTION

Acetal resin based (POM) technopolymer, white colour.

### FEATURES

The resistance of the levelling element to a static load is obviously limited by the load capacity of the stem.

The static load values in the table below refer to the resistance to a load applied on the axis of the levelling foot.

Under common working conditions, side or angular loading increases the stress on the stem and reduces its load capacity.

To increase the applicable load you can use the ball joint with threaded hole by inserting a steel threaded bar of higher resistance class. We recommend to insert a pressure pad between the end of the bar and the bottom of the threaded hole to reduce loading on the threading.

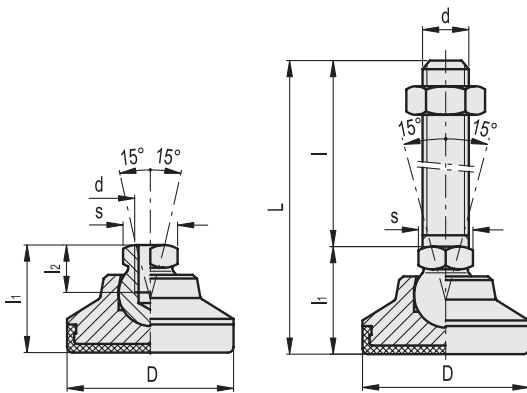
### SPECIAL EXECUTIONS ON REQUEST

Conductive material bearing protection.



**LM-SST-AC (d)**

**LM-SST-AC (d - l)**



Conversion Table	
1 mm = 0.039 inch	
D	
mm	inch
25	0.98
32	1.25
40	1.56
50	1.95
60	2.34

### LM-SST-AC (d)

Code	Description	D	d	l1	l2	s	Max. limit static load [N]	⚖️
402120	LM.25-SST M6-AC	25	M6	20.5	9	12	4000	35
402121	LM.25-SST M8-AC	25	M8	20.5	9	12	7000	32
402130	LM.32-SST M8-AC	32	M8	24.5	9	12	7000	75
402131	LM.32-SST M10-AC	32	M10	24.5	10.5	15	11000	67
402140	LM.40-SST M10-AC	40	M10	27.5	10.5	15	11000	120
402141	LM.40-SST M12-AC	40	M12	27.5	11.5	17	16000	113
402150	LM.50-SST M10-AC	50	M10	29.5	10.5	15	11000	185
402151	LM.50-SST M12-AC	50	M12	29.5	11.5	17	16000	180
402160	LM.60-SST M12-AC	60	M12	37.5	11.5	17	16000	335
402161	LM.60-SST M16-AC	60	M16	37.5	16	24	30000	330

### LM-SST-AC (d - l)

Code	Description	D	d	L	l	l1	s	Max. limit static load [N]	⚖️
402611	LM.25-SST M6x40-AC	25	M6	60.5	40	20.5	12	4000	39
402612	LM.25-SST M6x50-AC	25	M6	70.5	50	20.5	12	4000	41
402613	LM.25-SST M6x63-AC	25	M6	83.5	63	20.5	12	4000	45
402623	LM.25-SST M8x40-AC	25	M8	60.5	40	20.5	12	7000	67
402624	LM.25-SST M8x50-AC	25	M8	70.5	50	20.5	12	7000	55
402626	LM.25-SST M8x63-AC	25	M8	83.5	63	20.5	12	7000	71
402616	LM.25-SST M10x50-AC	25	M10	70.5	50	20.5	12	11000	54
402617	LM.25-SST M10x63-AC	25	M10	83.5	63	20.5	12	11000	64
402618	LM.25-SST M10x80-AC	25	M10	100.5	80	20.5	12	11000	76
402630	LM.32-SST M8x40-AC	32	M8	64.5	40	24.5	12	7000	52
402631	LM.32-SST M8x50-AC	32	M8	74.5	50	24.5	12	7000	57
402632	LM.32-SST M8x63-AC	32	M8	87.5	63	24.5	12	7000	67
402633	LM.32-SST M10x50-AC	32	M10	74.5	50	24.5	15	11000	109
402634	LM.32-SST M10x63-AC	32	M10	87.5	63	24.5	15	11000	172
402636	LM.32-SST M10x80-AC	32	M10	104.5	80	24.5	15	11000	124
402627	LM.32-SST M12x63-AC	32	M12	87.5	63	24.5	15	16000	166
402628	LM.32-SST M12x80-AC	32	M12	104.5	80	24.5	15	16000	183
402629	LM.32-SST M12x100-AC	32	M12	124.5	100	24.5	15	16000	201
402637	LM.40-SST M8x50-AC	40	M8	77.5	50	27.5	15	7000	142
402638	LM.40-SST M8x63-AC	40	M8	90.5	63	27.5	15	7000	150
402639	LM.40-SST M8x80-AC	40	M8	107.5	80	27.5	15	7000	158
402640	LM.40-SST M10x50-AC	40	M10	77.5	50	27.5	15	11000	157
402641	LM.40-SST M10x63-AC	40	M10	90.5	63	27.5	15	11000	165
402642	LM.40-SST M10x80-AC	40	M10	107.5	80	27.5	15	11000	172
402643	LM.40-SST M12x63-AC	40	M12	90.5	63	27.5	17	16000	185
402644	LM.40-SST M12x80-AC	40	M12	107.5	80	27.5	17	16000	190
402646	LM.40-SST M12x100-AC	40	M12	127.5	100	27.5	17	16000	214
402647	LM.50-SST M8x50-AC	50	M8	79.5	50	29.5	15	7000	172
402648	LM.50-SST M8x63-AC	50	M8	92.5	63	29.5	15	7000	180
402649	LM.50-SST M8x80-AC	50	M8	109.5	80	29.5	15	7000	187
402650	LM.50-SST M10x50-AC	50	M10	79.5	50	29.5	15	11000	207
402651	LM.50-SST M10x63-AC	50	M10	92.5	63	29.5	15	11000	215
402652	LM.50-SST M10x80-AC	50	M10	109.5	80	29.5	15	11000	222
402653	LM.50-SST M12x63-AC	50	M12	92.5	63	29.5	17	16000	260
402654	LM.50-SST M12x80-AC	50	M12	109.5	80	29.5	17	16000	270
402656	LM.50-SST M12x100-AC	50	M12	129.5	100	29.5	17	16000	294
402657	LM.50-SST M16x63-AC	50	M16	92.5	63	29.5	17	30000	286
402658	LM.50-SST M16x80-AC	50	M16	109.5	80	29.5	17	30000	298
402659	LM.50-SST M16x100-AC	50	M16	129.5	100	29.5	17	30000	311
402667	LM.60-SST M10x50-AC	60	M10	87.5	50	37.5	17	11000	367
402668	LM.60-SST M10x63-AC	60	M10	100.5	63	37.5	17	11000	386
402669	LM.60-SST M10x80-AC	60	M10	117.5	80	37.5	17	11000	405
402660	LM.60-SST M12x63-AC	60	M12	100.5	63	37.5	17	16000	440
402661	LM.60-SST M12x80-AC	60	M12	117.5	80	37.5	17	16000	465
402662	LM.60-SST M12x100-AC	60	M12	137.5	100	37.5	17	16000	500
402663	LM.60-SST M16x80-AC	60	M16	117.5	80	37.5	24	30000	505
402665	LM.60-SST M16x100-AC	60	M16	137.5	100	37.5	24	30000	515
402666	LM.60-SST M16x125-AC	60	M16	162.5	125	37.5	24	30000	566
402671	LM.60-SST M20x98-AC	60	M20	135.5	98	37.5	24	45000	550
402673	LM.60-SST M20x138-AC	60	M20	175.5	138	37.5	24	45000	580
402676	LM.60-SST M20x158-AC	60	M20	195.5	158	37.5	24	45000	610
402681	LM.60-SST M24x98-AC	60	M24	135.5	98	37.5	24	45000	610
402683	LM.60-SST M24x138-AC	60	M24	135.5	138	37.5	24	45000	630
402686	LM.60-SST M24x158-AC	60	M24	195.5	158	37.5	24	45000	650