

- 1
- 2
- 3
- 4
- 5
- 6
- 7
- 8
- 9
- 10
- 11
- 12
- 13
- 14
- 15
- 16**
- 17
- 18

MATERIAL

Polyamide based (PA) technopolymer, black colour, glossy finish.

PRISMATIC WINDOW

Transparent polyamide based (PA-T/AR) technopolymer. The window consists of a continuous series of prisms which provide a clear and immediate reading of the level of the oil contained in the reservoir.

PACKING RING

NBR synthetic rubber.

MAXIMUM CONTINUOUS WORKING TEMPERATURE

212°F (100°C) at 3 bar pressure.

NOTE

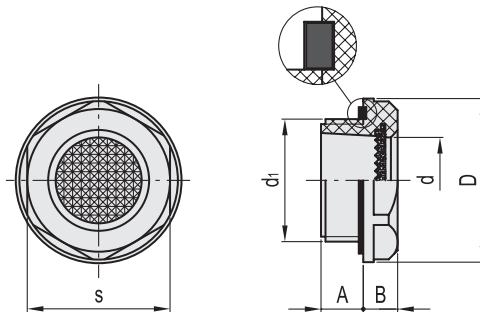
For use with fluids containing special additives, please contact ELESA Sales Department.

ACCESSORIES ON REQUEST

Brass nut type GH. (see page 1746) for fitting to reservoirs with wall thickness smaller than 0.20 (5 mm).



ELESA Original design



INCH

Code	Description	d1	A	B	D	d	s	Tightening torque [ft-lb]	
914462	HGFT.13/PR-1/2 NPT	1/2 NPT	0.39	0.33	1.1	0.57	0.94	4+6	0.01
914482	HGFT.16/PR-3/4 NPT	3/4 NPT	0.37	0.33	1.38	0.71	1.26	6+7	0.02
914522	HGFT.21/PR-1 NPT	1 NPT	0.43	0.37	1.67	0.91	1.5	7+9	0.03