



METRIC

- 1
- 2
- 3
- 4
- 5
- 6
- 7
- 8
- 9
- 10
- 11
- 12
- 13
- 14
- 15
- 16
- 17
- 18

**BODY**

Transparent polyamide based (PA-T/AR) technopolymer. Highly resistant to shocks, solvents, oils with additives, aliphatic and aromatic hydrocarbons, petrol, naphtha, phosphoric esters, additives and detergents containing alcohol. High UV resistance.

**SCREWS, NUTS AND WASHERS**

Zinc-plated steel.

**PACKING RINGS**

Step-shaped for the seal on the reservoir walls and NBR synthetic rubber O-ring screw underhead.

Suggested roughness of the packing ring application surface Ra = 3 µm.

**CONTRAST SCREEN**

White lacquered aluminium. The housing, in the appropriate external rear slot, guarantees the best protection from direct contact with fluid. It can be taken out from the inclined side, before assembly to allow the insertion of level lines or words.

**MAXIMUM CONTINUOUS WORKING TEMPERATURE**

90°C (with oil).

**FEATURES AND PERFORMANCES**

Ultrasound welding to guarantee a perfect seal.  
Maximum fluid level visibility even from side positions.  
Lens effect for a better visibility of the fluid level.

**TECHNICAL DATA**

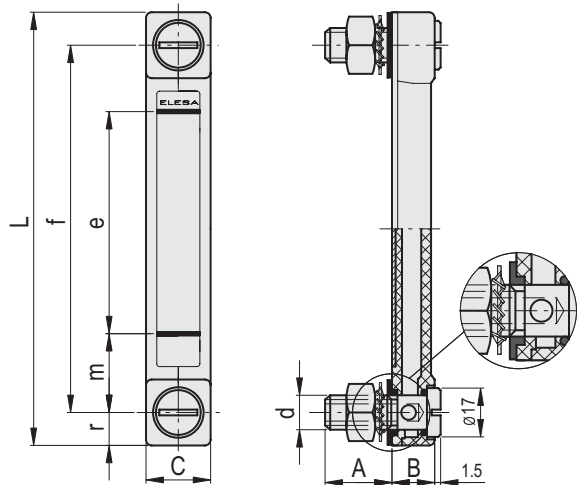
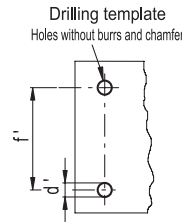
In laboratory tests carried out with mineral oil type CB68 (according to ISO 3498) at 23°C for a limited period of time, the weld stood up to: 13 bar (HCZ.76-AR and HCZ.127-AR) 10 bar (HCZ.254-AR).

For use with other fluids and under different pressure and temperature conditions, please contact ELESA Technical Department.

In any case we suggest to verify the suitability of the product under the actual working conditions.



ELESA Original design



METRIC

Conversion Table	
1 mm = 0.039 inch	
f	
mm	inch
76	2.99
127	5.00
254	10.00

Code	Description	f	d	A	B	C	L	e	m	r	d'±0.2	f±0.2	C# [Nm]	⚖
11380-R	HCZ.76-AR-M10	76	M10	22	15	22	99	40	18	11.5	10.5	76	12	90
11384-R	HCZ.127-AR-M12	127	M12	22	15	22	150	80	23	11.5	12.5	127	12	120
11390-R	HCZ.254-AR-M12	254	M12	22	15	24	278	203	25	12.5	12.5	254	12	150

Accessories for hydraulic systems

2 # Maximum tightening torque.