

# GN 212.3 | Adjustable handles

Steel

INCH



**LEVER BODY**  
Black-oxide turned steel.



**HANDLE**  
Turned and polished black-oxide steel arm inclined by a 20° angle with DIN 319 black phenolic based (PF) Duroplast ball knob.



**STANDARD EXECUTIONS**  
Black-oxide steel clamping element. Steel return spring.  
- Threaded hole.  
- Threaded screw, length as shown in the table.



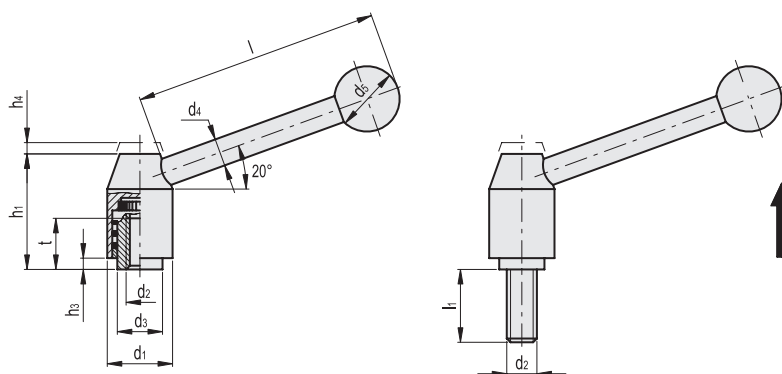
**FEATURES AND APPLICATIONS**  
Particularly suitable when the lever turning angle is limited owing to lack of space.



**OTHER EXECUTIONS ON REQUEST**  
Standard metric threaded holes and studs.



**INSTRUCTIONS**  
For clamping, lift the lever to disengage the clamping device teeth and bring it back to start position. By releasing the lever, the return spring automatically engages the teeth.



INCH

**GN 212.3 (d2)**

Code	Description	d1	d2	d3	d4	d5	h1	h3	h4	l	t <sub>min</sub>	⚖
GN.917102	GN 212.3-21-5/16-18-E	0.83	5/16-18	0.53	0.31	0.79	1.32	0.04	0.16	2.76	0.43	0.21
GN.917111	GN 212.3-24-3/8-16-E	0.94	3/8-16	0.63	0.39	0.98	1.57	0.1	0.18	3.78	0.55	0.34
GN.917121	GN 212.3-28-1/2-13-E	1.1	1/2-13	0.75	0.47	1.18	1.91	0.18	0.18	4.33	0.67	0.57
GN.917132	GN 212.3-33-5/8-11-E	1.3	5/8-11	0.91	0.47	1.26	2.17	0.24	0.22	4.88	0.87	0.82
GN.917141	GN 212.3-40-3/4-10-E	1.57	3/4-10	1.1	0.55	1.38	2.68	0.24	0.22	5.43	1.42	1.24

INCH

**GN 212.3 (d2 - l1)**

Code	Description	d1	d2	d3	d4	d5	h1	h3	h4	l	l1	⚖
GN.917204	GN 212.3-21-5/16-18-079-E	0.83	5/16-18	0.53	0.31	0.79	1.32	0.04	0.16	2.76	0.79	0.23
GN.917206	GN 212.3-21-5/16-18-126-E	0.83	5/16-18	0.53	0.31	0.79	1.32	0.04	0.16	2.76	1.26	0.24
GN.917211	GN 212.3-24-3/8-16-098-E	0.94	3/8-16	0.63	0.39	0.98	1.57	0.1	0.18	3.78	0.98	0.39
GN.917213	GN 212.3-24-3/8-16-157-E	0.94	3/8-16	0.63	0.39	0.98	1.57	0.1	0.18	3.78	1.57	0.4
GN.917221	GN 212.3-28-1/2-13-126-E	1.1	1/2-13	0.75	0.47	1.18	1.91	0.18	0.18	4.33	1.26	0.65
GN.917222	GN 212.3-28-1/2-13-157-E	1.1	1/2-13	0.75	0.47	1.18	1.91	0.18	0.18	4.33	1.57	0.68
GN.917234	GN 212.3-33-5/8-11-248-E	1.3	5/8-11	0.91	0.47	1.26	2.17	0.24	0.22	4.88	2.48	1.06
GN.917244	GN 212.3-40-3/4-10-248-E	1.57	3/4-10	1.1	0.55	1.38	2.68	0.24	0.22	5.43	2.48	1.49

Clamping levers