

- 1
- 2
- 3
- 4
- 5
- 6
- 7
- 8
- 9
- 10
- 11
- 12
- 13
- 14
- 15
- 16
- 17
- 18
- 19

GUIDE PROFILE

AISI 304 stainless steel with technopolymer coating (PEEK), grey colour.

BRACKET

Anodised aluminium.

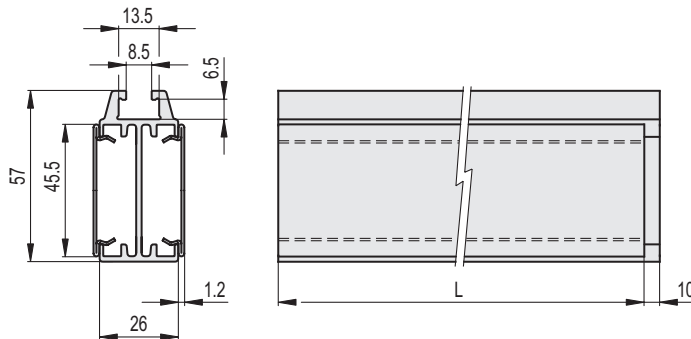
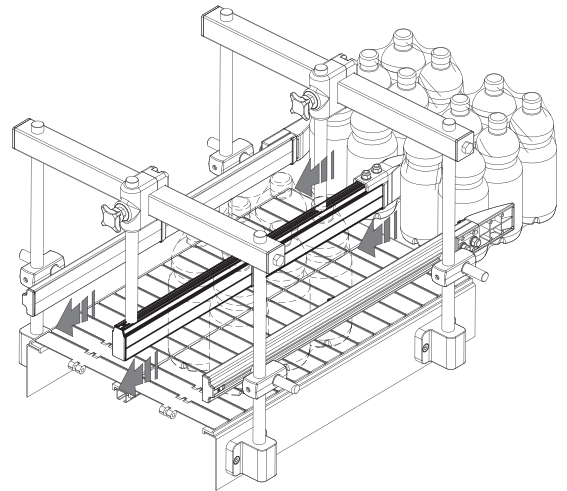
FEATURES AND APPLICATIONS

GLF central guides are generally used to laterally guide bundles of heat-shrinkable polyethylene film on conveyor belts. The PEEK coating ensures minimal rolling resistance of the product and is also suitable for high-temperature applications.

Minimum coating thickness 40 µ, maximum 50 µ.
Supplied in bars of 1500 or 3000 mm length.

ACCESSORIES ON REQUEST

- BDG: connecting plate for guides.
- TGLF: closing cap for guides.
- GGLF: linear guide joint.
- PGC-2: separation block for central guide.
- MPG-P: guide assembly pin.
- MPG-V: zinc-plated steel hammer head screw.



Levelling feet and supports

Code	Description	L	⚖️
419091	GCF-46-1500	1500	2250
419092	GCF-46-2990	2990	4500