

- 1
- 2
- 3
- 4
- 5
- 6
- 7
- 8
- 9
- 10
- 11
- 12
- 13
- 14
- 15
- 16
- 17
- 18
- 19

MATERIAL

Acetal-based technopolymer (POM), orange.

STANDARD EXECUTIONS

- **FHN**: nozzle with a single hole.
- **FHN-P**: nozzle with a hole with a rectangular section.
- **FHN-F**: nozzle with a joint head with sixteen holes.

FEATURES

The use of nozzles allows the lubricating spray to be adjusted, concentrating it or distributing it on the surface concerned. Fitting to be implemented by means of snap coupling (Fig.1) with modular tubes FHT (see page -). See Modular systems for lubrication (on page -).

CHEMICAL COMPATIBILITY

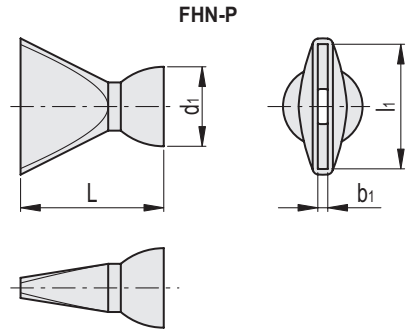
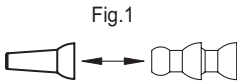
Material resistant to detergents, lubricants and oils, avoid contact with strong acids and bases. To use fluids other than those listed, contact Elesà's technical department. In any case we suggest to verify the suitability of the product under the actual working conditions.

SPECIAL EXECUTION ON REQUEST

Nozzles made from raw materials suitable for contact with food (FDA CFR.21 and EU 10/2011).

ACCESSORIES ON REQUEST

Pliers to assemble the components.

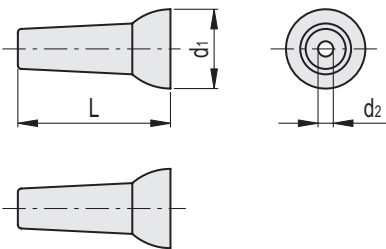


FHN-P

METRIC

Code	Description	L	d1	l1	b1	For coolant hoses	⚖️
471116	FHN.1/4-P25	28.5	16	25	2	1/4	2
471141	FHN.1/2-P50	51	26	50	2	1/2	10

FHN-B



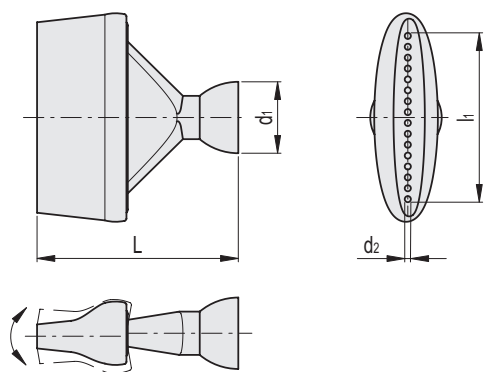
METRIC

Conversion Table	
1 mm = 0.039 inch	
L	
mm	inch
28.5	1.12
30	1.18
44.5	1.75
49.5	1.95
51	2.01

FHN

Code	Description	L	d1	d2	For coolant hoses	⚖️
471101	FHN.1/4-1	30	16	1.5	1/4	2
471106	FHN.1/4-3	30	16	3	1/4	2
471111	FHN.1/4-5	30	16	5	1/4	2
471126	FHN.1/2-5	49.5	26	5	1/2	6
471131	FHN.1/2-8	49.5	26	8	1/2	7
471136	FHN.1/2-11	49.5	26	11	1/2	6

FHN-F



FHN-F

METRIC

Code	Description	L	d1	d2	l1	For coolant hoses	⚖️
471121	FHN.1/4-F	44.5	16	1.5	38	1/4	8