

- 1
- 2
- 3
- 4
- 5
- 6
- 7
- 8
- 9
- 10
- 11
- 12
- 13
- 14
- 15
- 16
- 17
- 18

**HANDLE SHANKS**

Glass-fibre reinforced polyamide based (PA) technopolymer, white colour similar to RAL 9002, matte finish.

**COVERS**

ECA.V: Polyamide based (PA) technopolymer, white colour similar to RAL 9002, glossy finish, press-fit assembly. Supplied, removable by a screwdriver.

Available also as accessory sold separately (see table).

**STANDARD EXECUTION**

Pass-through holes for cylindrical-head screws with hexagon socket, hexagonal-head screws or standard lock nuts.

Aluminium tube, coating in white colour similar to RAL 9002, glossy finish.

Suggested tightening torque:

- back mounting with plain holes: 8 [Nm]
- front mounting with plain or tapped holes: 15 [Nm].

**ERGONOMY AND DESIGN**

The large diameter of the tube offers a good and comfortable grip.

**TECHNICAL DATA**

Tensile stress: F2 values reported in the table are the result of breaking tests carried out with the appropriate dynamometric equipment under the test conditions shown in the figure with ambient temperature.

**SPECIAL EXECUTIONS ON REQUEST**

Different lengths.

**ACCESSORIES ON REQUEST**

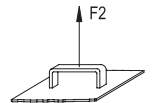
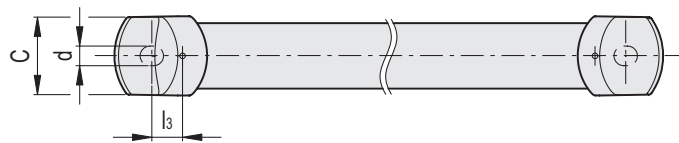
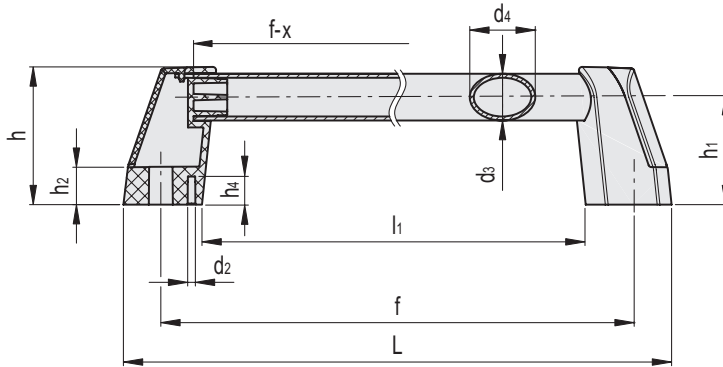
ECA.V: polyamide based (PA) technopolymer closing caps, white similar to RAL 9002 (CLEAN), glossy finish, press-fit assembly.



ERGOSTYLE® ELESA Original design

**ECA.V**

Code	Description	Cover for
29873	ECA.V-CLEAN	EVH.25-CLEAN



L		d	
mm	inch	mm	inch
340	13.26	10.5	0.41
390	15.21		
440	17.16		
540	21.06		
640	24.96		
740	28.86		

Code	Description	d3	f±1	L	d	d4	h	h1	h2	h4	l1	l3	d2	C	x	F2 [N]*	F2 [N]#	⚖️
150811	EVH.300-CLEAN	25	300	340	10.5	35	74	57.5	20	15	256	16.4	4	42.5	35	3200	4200	235
150813	EVH.350-CLEAN	25	350	390	10.5	35	74	57.5	20	15	306	16.4	4	42.5	35	3000	3500	268
150815	EVH.400-CLEAN	25	400	440	10.5	35	74	57.5	28	15	356	16.4	4	42.5	35	2700	3100	456
150817	EVH.500-CLEAN	25	500	540	10.5	35	74	57.5	20	15	456	16.4	4	42.5	35	2100	2400	301
150819	EVH.600-CLEAN	25	600	640	10.5	35	74	57.5	20	15	556	16.4	4	42.5	35	1300	1900	335
150821	EVH.700-CLEAN	25	700	740	10.5	35	74	57.5	20	15	656	16.4	4	42.5	35	1200	1600	368

\* Maximum working load

# Load at breakage