

1 LEVER BODY

Glass-fibre reinforced polyamide based (PA) technopolymer, grey-black colour, matte finish.

2 PUSH BUTTON

Technopolymer, grey-black colour, polished finish

3 ELASTIC FORK AND ELASTIC RING

Acetal resin based (POM) technopolymer, black colour.

4 STANDARD EXECUTIONS

Glass-fibre reinforced technopolymer clamping element with retaining pin, black colour, with knurling on the protruding part to make initial tightening easier. AISI 302 stainless steel return spring.

- **ERX-SST-RC**: AISI 303 stainless steel boss, threaded blind hole.
- **ERX-SST-p-RC**: AISI 303 stainless steel threaded stud, chamfered flat end UNI 947 : ISO 4753 (see Technical data on page A-11).

5 FEATURES AND APPLICATIONS

The fork, located between the lever and the elastic ring, can rotate freely.

Suitable for use when it is necessary to avoid the loss of the handle. Particularly suitable when the lever turning angle is limited owing to lack of space.

Compared to other types of adjustable handles with metal retaining screw this solution offers:

- absolute electric insulation for the operator
- no visible steel parts subject to rust
- more comfortable lever release.

6 STRESS RESISTANCE

Adjustable handles are generally used for repetitive clamping operations sometimes with very high-frequency.

Therefore, the stress resistance (i.e. the resistance to repeated tightening cycles) of the handle unit is particularly important and, especially, the strength of the toothed element which transmits the tightening force from the handle to the threaded element (boss or stud).

In fact, the results of several laboratory tests, performed with a special instrument that simulates the most severe use conditions, have shown that e.g. ERX.78 adjustable handle can withstand without yielding more than 100,000 tightening cycles, under the action of a force of 490 N (see graphic).

The special glass-fibre reinforced technopolymer enables the ELESА adjustable handles to guarantee stress resistance values which are much higher than the ones generated under normal working conditions.

7 INSTRUCTIONS OF USE

To adjust while tightening, lift the lever to disengage the teeth of the clamping element and return it to the starting position. When the lever is released, the return spring automatically engages the teeth.

8 SPECIAL EXECUTIONS ON REQUEST

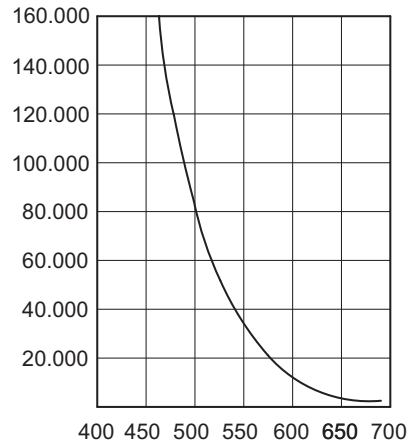
- CT-S: (see page -) technopolymer and stainless steel ball chains.
- GN 111: (see page -) stainless steel and brass ball chains.
- CV-T: (see page -) polyethylene and stainless steel retaining cables.
- GN 111.2: (see page -) stainless steel retaining cables.
- GN 111.4: (see page -) polyurethane and stainless steel spiral retaining cables.

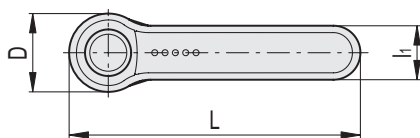
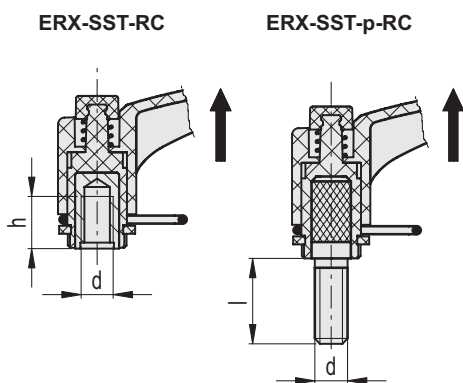
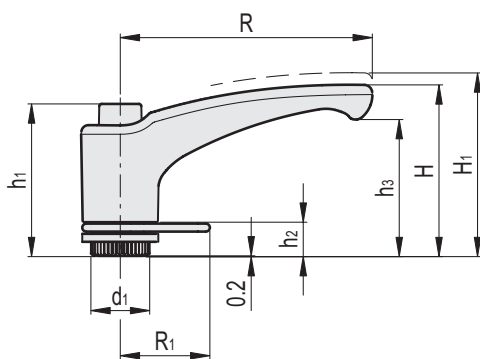


ERGOSTYLE® ELESА Original design



NUMBER OF TIGHTENINGS





Conversion Table	
1 mm = 0.039 inch	
R	
mm	inch
44	1.72
63	2.48
79	3.11

ERX-SST-RC

INOX STAINLESS STEEL METRIC

Code	Description	R	d6H	L	D	H	H1	h	h1	h2	h3	d1	l1	R1	Teeth no.	⚖️
236070-C1	ERX.44-SST-M6-C1-RC	44	M6	52	16	32.5	36	10	29.5	6	25	12	11	21	18	15
236080-C1	ERX.63-SST-M8-C1-RC	63	M8	72.5	19	43	47	13	37.5	8	34.5	15	13.5	22.5	20	26.8
236090-C1	ERX.78-SST-M10-C1-RC	79	M10	91.5	24.5	54	58	18	47	12	44	19	16	24	24	47.8

ERX-SST-p-RC

INOX STAINLESS STEEL METRIC

Code	Description	R	d6g	L	D	H	H1	h1	h2	h3	d1	l	l1	R1	Teeth no.	⚖️
236071-C1	ERX.44-SST-p-M6x10-C1-RC	44	M6	52	16	32.5	36	29.5	6	25	12	10	11	21	18	15.3
236073-C1	ERX.44-SST-p-M6x20-C1-RC	44	M6	52	16	32.5	36	29.5	6	25	12	20	11	21	18	17.2
236075-C1	ERX.44-SST-p-M6x30-C1-RC	44	M6	52	16	32.5	36	29.5	6	25	12	30	11	21	18	19
236083-C1	ERX.63-SST-p-M8x20-C1-RC	63	M8	72.5	19	43	47	37.5	8	34.5	15	20	13.5	22.5	20	32.2
236085-C1	ERX.63-SST-p-M8x30-C1-RC	63	M8	72.5	19	43	47	37.5	8	34.5	15	30	13.5	22.5	20	35.7
236087-C1	ERX.63-SST-p-M8x40-C1-RC	63	M8	72.5	19	43	47	37.5	8	34.5	15	40	13.5	22.5	20	38.6
236095-C1	ERX.78-SST-p-M10x30-C1-RC	79	M10	91.5	24.5	54	58	47	12	44	19	30	16	24	24	66
236097-C1	ERX.78-SST-p-M10x40-C1-RC	79	M10	91.5	24.5	54	58	47	12	44	19	40	16	24	24	71.2
236099-C1	ERX.78-SST-p-M10x50-C1-RC	79	M10	91.5	24.5	54	58	47	12	44	19	50	16	24	24	81.5

- 1
- 2
- 3
- 4
- 5
- 6
- 7
- 8
- 9
- 10
- 11
- 12
- 13
- 14
- 15
- 16
- 17
- 18
- 19

Clamping handles