

- 1
- 2
- 3
- 4
- 5
- 6
- 7
- 8
- 9
- 10
- 11
- 12
- 13
- 14
- 15
- 16
- 17
- 18
- 19

**MATERIAL**

Glass-fibre reinforced polyamide based (PA) technopolymer, black colour, matte finish.

**STANDARD EXECUTIONS**

- **DSG-A:** for use with guide rail brackets SPF, SPFS, SPR e SPR.V.
- **DSG-B:** for use with guide rail brackets SPR e SPR.V.
- **DSG-C:** for use with guide rail brackets SPFM e SPFL

**FEATURES AND APPLICATIONS**

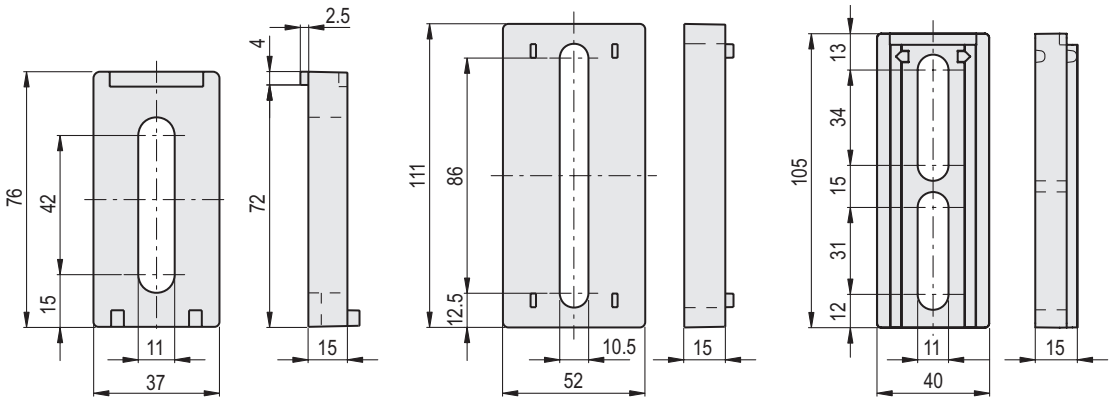
DSG spacers are used in combination with SPF, SPFS, SPFM, SPFL, SPR, SPR.V guide rail brackets when a more detached fixing positioning from the conveyor line is required.



DSG-A

DSG-B

DSG-C



METRIC

**DSG-A**

Code	Description	⚖
419676	DSG-A	27.3

**DSG-C**

Code	Description	⚖
419675	DSG-C	55

**DSG-B**

Code	Description	⚖
419677	DSG-B	47.7