

- 1
- 2
- 3
- 4
- 5
- 6
- 7
- 8
- 9
- 10
- 11
- 12
- 13
- 14
- 15
- 16
- 17
- 18

MATERIAL

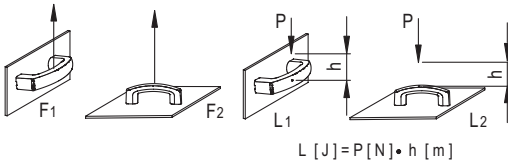
Glass-fibre reinforced polyamide based (PA) technopolymer, grey-black colour, matte finish.

FEATURES AND APPLICATIONS

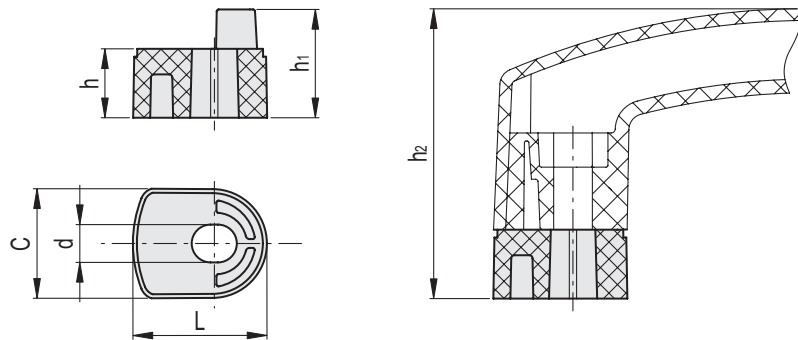
Spacer sleeves for EMPC bridge handles have been designed to increase the distance between the handle and the fitting surface.

TECHNICAL DATA

Tensile stress and impact strength: the values F1, F2, L1 and L2 indicated in the table were obtained during breaking tests carried out with the appropriate dynamometric equipment under the test conditions shown in the figure with ambient temperature.



ELESA Original design **ERGOSTYLE**



| Conversion Table | |
|-------------------|------|
| 1 mm = 0,039 inch | |
| L | |
| mm | inch |
| 34 | 1.34 |

Handles

METRIC

| Code | Description | L | d | h | h1 | h2 | C | F1 [N] | F2 [N] | L1 [J] | L2 [J] | ⚖️ |
|----------|-------------------|----|-----|------|------|------|----|--------|--------|--------|--------|----|
| 15271-C1 | DS-EMPC.160-17-C1 | 34 | 9.5 | 17.5 | 27.5 | 72.5 | 28 | 2400 | 2500 | 20 | 30 | 24 |