

STANDARD COMPONENTS

- **DCE-D**: DIN 3015-3 double series tube collar in polypropylene-based technopolymer (PP), high UV resistance, RAL 9005 black colour.
- **DCE-PU**: zinc-plated top plate.
- **DCE-PL**: bottom plate to be welded in phosphated steel.
- **DCE-SRE**: hexagon head screw in zinc-plated steel.
- **DCE-WA**: flat washer in zinc-plated steel.
- **DCE-GU**: zinc-plated steel mounting guide.
- **DCE-NTG**: nut for zinc-plated steel mounting guide.



FEATURES AND APPLICATIONS

The different KIT configurations obtainable from the DCE-D collar body allow the parallel locking of rigid tubes or flexible cables in a safe manner, reducing vibrations and noise.

The DIN 3015-3 standard defines the technical, dimensional and material requirements for the creation of a fastening system suitable for multiple applications.

In particular, DIN regulation defines specific reference groups based on the overall dimensions of the collar bodies.

The table shows the correspondence between the DIN 3015-3 groups and the corresponding DCE-D groups.

The special internal knurling of the two half clamps enables a high level of grip between the clamp and the tube, thus ensuring high stability.

They are used both in industrial hydraulics as a fastening system for the construction of rigid pipes (liquids or gases) and in mobile hydraulics (material handling machines, agricultural vehicles) for the construction of hydraulic or pneumatic systems.

Assembly of the clamp kit starts from the bottom; the DCE-PL welding plate represents the base where the bottom half-collar rests, then the pipe (or hose) is inserted and the top half-collar is overlapped. If a fixed solution is not necessary, it is possible to use DCE-NTG fixing nuts instead of the plate. These make it possible, if positioned on the DCE-GU guide, to move the kit along the guide to adjust its position during the positioning phase.

To tighten the collar, it is possible to use the DCE-PU cover plate together with the DCE-SRE hexagon head screws or, if the top plate is not necessary, it is recommended to use the SRE hexagon head screws and the DCE-WA washer.

Tube clamps technical data.

STANDARD COMPONENTS TABLE

|       |   |   |   |   |   |   |   |     |   |    |   |    |   |    |   |    |
|-------|---|---|---|---|---|---|---|-----|---|----|---|----|---|----|---|----|
| DCK-D | - | 1 | - | 6 | - | 6 | - | SRE | - | WA | - | PL | - | PP | - | C9 |
|       |   | ① |   | ② |   | ② |   | ③   |   | ④  |   | ⑤  |   |    |   |    |

|                  |   |   |   |   |   |
|------------------|---|---|---|---|---|
| DIN 3015-3 group | 1 | 2 | 3 | 4 | 5 |
| ① Group DCE-D    | 1 | 2 | 3 | 4 | 5 |

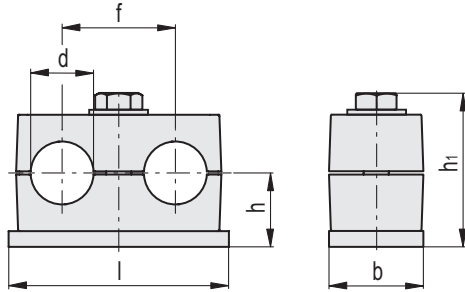
|         |      |                                       |
|---------|------|---------------------------------------|
| ③ Screw | SRE* | Hexagon head screw, zinc-plated steel |
|---------|------|---------------------------------------|

|            |    |                                |
|------------|----|--------------------------------|
| ④ Top part | WA | Flat washer, zinc-plated steel |
|            | PU | Top plate, zinc-plated steel   |

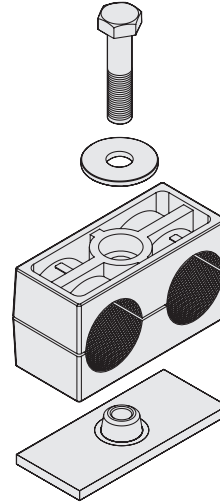
|                        |      |      |      |      |      |
|------------------------|------|------|------|------|------|
| ② Diameter of the tube | 6    | 12   | 19   | 26.9 | 32   |
|                        | 6.4  | 12.7 | 20   | 28   | 33.7 |
|                        | 8    | 13.5 | 21.3 | 30   | 35   |
|                        | 9.5  | 14   | 22   |      | 38   |
|                        | 10   | 15   | 23   |      | 42.4 |
|                        | 12   | 16   | 24   |      |      |
|                        | 12.7 | 17.2 | 25   |      |      |
|                        |      | 18   | 25.4 |      |      |

|               |     |   |
|---------------|-----|---|
| ⑤ Bottom part | PL  | Bottom plate to be welded, phosphated steel |
|               | NTG | Nut for mounting guide, zinc-plated steel   |

\*SRE-WA-NTG configuration not compatible



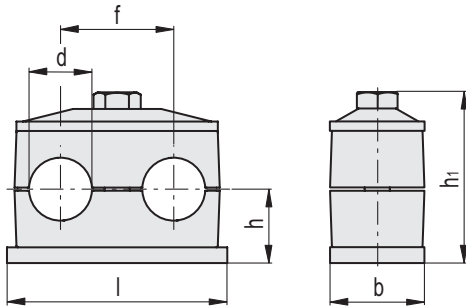
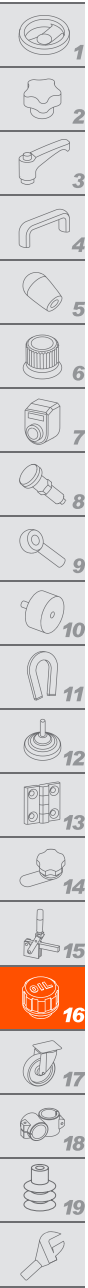
DCK-D\*-SRE-WA-PL  
(\*Group 1÷5)



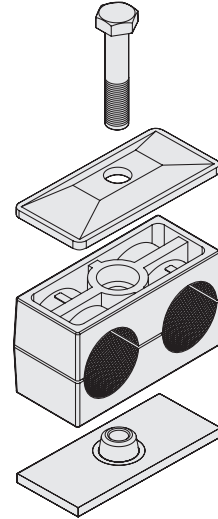
METRIC

| Code      | Description                       | Group | b  | d    | d Tube [GAS] | f  | l   | h    | h1 | ⚖   |
|-----------|-----------------------------------|-------|----|------|--------------|----|-----|------|----|-----|
| 571691-C9 | DCK-D-1-6-6-SRE-WA-PL-PP-C9       | 1     | 30 | 6    | -            | 20 | 37  | 16.5 | 36 | 60  |
| 571693-C9 | DCK-D-1-6.4-6.4-SRE-WA-PL-PP-C9   | 1     | 30 | 6.4  | 1/4          | 20 | 37  | 16.5 | 36 | 58  |
| 571695-C9 | DCK-D-1-8-8-SRE-WA-PL-PP-C9       | 1     | 30 | 8    | 5/16         | 20 | 37  | 16.5 | 36 | 59  |
| 571697-C9 | DCK-D-1-9.5-9.5-SRE-WA-PL-PP-C9   | 1     | 30 | 9.5  | 3/8          | 20 | 37  | 16.5 | 36 | 58  |
| 571699-C9 | DCK-D-1-10-10-SRE-WA-PL-PP-C9     | 1     | 30 | 10   | -            | 20 | 37  | 16.5 | 36 | 74  |
| 571701-C9 | DCK-D-1-12-12-SRE-WA-PL-PP-C9     | 1     | 30 | 12   | -            | 20 | 37  | 16.5 | 36 | 54  |
| 571703-C9 | DCK-D-1-12.7-12.7-SRE-WA-PL-PP-C9 | 1     | 30 | 12.7 | 1/2          | 20 | 37  | 16.5 | 36 | 55  |
| 571711-C9 | DCK-D-2-12-12-SRE-WA-PL-PP-C9     | 2     | 30 | 12   | -            | 29 | 55  | 18.5 | 38 | 108 |
| 571713-C9 | DCK-D-2-12.7-12.7-SRE-WA-PL-PP-C9 | 2     | 30 | 12.7 | 1/2          | 29 | 55  | 18.5 | 38 | 109 |
| 571715-C9 | DCK-D-2-13.5-13.5-SRE-WA-PL-PP-C9 | 2     | 30 | 13.5 | -            | 29 | 55  | 18.5 | 38 | 111 |
| 571717-C9 | DCK-D-2-14-14-SRE-WA-PL-PP-C9     | 2     | 30 | 14   | -            | 29 | 55  | 18.5 | 38 | 108 |
| 571719-C9 | DCK-D-2-15-15-SRE-WA-PL-PP-C9     | 2     | 30 | 15   | -            | 29 | 55  | 18.5 | 38 | 107 |
| 571721-C9 | DCK-D-2-16-16-SRE-WA-PL-PP-C9     | 2     | 30 | 16   | 5/8          | 29 | 55  | 18.5 | 38 | 105 |
| 571723-C9 | DCK-D-2-17.2-17.2-SRE-WA-PL-PP-C9 | 2     | 30 | 17.2 | -            | 29 | 55  | 18.5 | 38 | 104 |
| 571725-C9 | DCK-D-2-18-18-SRE-WA-PL-PP-C9     | 2     | 30 | 18   | -            | 29 | 55  | 18.5 | 38 | 103 |
| 571731-C9 | DCK-D-3-19-19-SRE-WA-PL-PP-C9     | 3     | 30 | 19   | 3/4          | 36 | 70  | 23.5 | 48 | 142 |
| 571733-C9 | DCK-D-3-20-20-SRE-WA-PL-PP-C9     | 3     | 30 | 20   | -            | 36 | 70  | 23.5 | 48 | 141 |
| 571735-C9 | DCK-D-3-21.3-21.3-SRE-WA-PL-PP-C9 | 3     | 30 | 21.3 | -            | 36 | 70  | 23.5 | 48 | 139 |
| 571737-C9 | DCK-D-3-22-22-SRE-WA-PL-PP-C9     | 3     | 30 | 22   | 7/8          | 36 | 70  | 23.5 | 48 | 137 |
| 571739-C9 | DCK-D-3-23-23-SRE-WA-PL-PP-C9     | 3     | 30 | 23   | -            | 36 | 70  | 23.5 | 48 | 136 |
| 571741-C9 | DCK-D-3-24-24-SRE-WA-PL-PP-C9     | 3     | 30 | 24   | -            | 36 | 70  | 23.5 | 48 | 139 |
| 571743-C9 | DCK-D-3-25-25-SRE-WA-PL-PP-C9     | 3     | 30 | 25   | -            | 36 | 70  | 23.5 | 48 | 132 |
| 571745-C9 | DCK-D-3-25.4-25.4-SRE-WA-PL-PP-C9 | 3     | 30 | 25.4 | 1            | 36 | 70  | 23.5 | 48 | 132 |
| 571751-C9 | DCK-D-4-26.9-26.9-SRE-WA-PL-PP-C9 | 4     | 30 | 26.9 | -            | 45 | 85  | 26   | 53 | 170 |
| 571753-C9 | DCK-D-4-28-28-SRE-WA-PL-PP-C9     | 4     | 30 | 28   | -            | 45 | 85  | 26   | 53 | 167 |
| 571755-C9 | DCK-D-4-30-30-SRE-WA-PL-PP-C9     | 4     | 30 | 30   | -            | 45 | 85  | 26   | 53 | 163 |
| 571761-C9 | DCK-D-5-32-32-SRE-WA-PL-PP-C9     | 5     | 30 | 32   | 1 1/4        | 56 | 110 | 31.5 | 64 | 206 |
| 571763-C9 | DCK-D-5-33.7-33.7-SRE-WA-PL-PP-C9 | 5     | 30 | 33.7 | -            | 56 | 110 | 31.5 | 64 | 202 |
| 571765-C9 | DCK-D-5-35-35-SRE-WA-PL-PP-C9     | 5     | 30 | 35   | -            | 56 | 110 | 31.5 | 64 | 199 |
| 571767-C9 | DCK-D-5-38-38-SRE-WA-PL-PP-C9     | 5     | 30 | 38   | 1 1/2        | 56 | 110 | 31.5 | 64 | 191 |
| 571769-C9 | DCK-D-5-42.4-42.4-SRE-WA-PL-PP-C9 | 5     | 30 | 42.4 | -            | 56 | 110 | 31.5 | 64 | 179 |





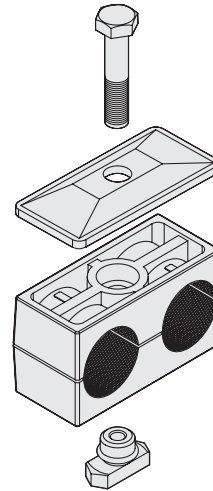
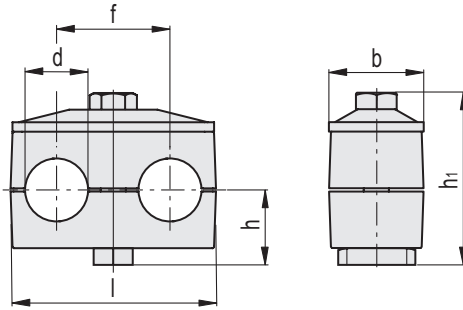
DCK-D\*-SRE-PU-PL  
(\*Group 1÷5)



METRIC

| Code      | Description                       | Group | b  | d    | d Tube [GAS] | f  | l   | h    | h1 | ⚖   |
|-----------|-----------------------------------|-------|----|------|--------------|----|-----|------|----|-----|
| 571781-C9 | DCK-D-1-6-6-SRE-PU-PL-PP-C9       | 1     | 30 | 6    | -            | 20 | 37  | 16.5 | 41 | 79  |
| 571783-C9 | DCK-D-1-6.4-6.4-SRE-PU-PL-PP-C9   | 1     | 30 | 6.4  | 1/4          | 20 | 37  | 16.5 | 41 | 77  |
| 571785-C9 | DCK-D-1-8-8-SRE-PU-PL-PP-C9       | 1     | 30 | 8    | 5/16         | 20 | 37  | 16.5 | 41 | 78  |
| 571787-C9 | DCK-D-1-9.5-9.5-SRE-PU-PL-PP-C9   | 1     | 30 | 9.5  | 3/8          | 20 | 37  | 16.5 | 41 | 77  |
| 571789-C9 | DCK-D-1-10-10-SRE-PU-PL-PP-C9     | 1     | 30 | 10   | -            | 20 | 37  | 16.5 | 41 | 93  |
| 571791-C9 | DCK-D-1-12-12-SRE-PU-PL-PP-C9     | 1     | 30 | 12   | -            | 20 | 37  | 16.5 | 41 | 73  |
| 571793-C9 | DCK-D-1-12.7-12.7-SRE-PU-PL-PP-C9 | 1     | 30 | 12.7 | 1/2          | 20 | 37  | 16.5 | 41 | 74  |
| 571801-C9 | DCK-D-2-12-12-SRE-PU-PL-PP-C9     | 2     | 30 | 12   | -            | 29 | 55  | 18.5 | 43 | 140 |
| 571803-C9 | DCK-D-2-12.7-12.7-SRE-PU-PL-PP-C9 | 2     | 30 | 12.7 | 1/2          | 29 | 55  | 18.5 | 43 | 141 |
| 571805-C9 | DCK-D-2-13.5-13.5-SRE-PU-PL-PP-C9 | 2     | 30 | 13.5 | -            | 29 | 55  | 18.5 | 43 | 143 |
| 571807-C9 | DCK-D-2-14-14-SRE-PU-PL-PP-C9     | 2     | 30 | 14   | -            | 29 | 55  | 18.5 | 43 | 140 |
| 571809-C9 | DCK-D-2-15-15-SRE-PU-PL-PP-C9     | 2     | 30 | 15   | -            | 29 | 55  | 18.5 | 43 | 139 |
| 571811-C9 | DCK-D-2-16-16-SRE-PU-PL-PP-C9     | 2     | 30 | 16   | 5/8          | 29 | 55  | 18.5 | 43 | 137 |
| 571813-C9 | DCK-D-2-17.2-17.2-SRE-PU-PL-PP-C9 | 2     | 30 | 17.2 | -            | 29 | 55  | 18.5 | 43 | 136 |
| 571815-C9 | DCK-D-2-18-18-SRE-PU-PL-PP-C9     | 2     | 30 | 18   | -            | 29 | 55  | 18.5 | 43 | 135 |
| 571821-C9 | DCK-D-3-19-19-SRE-PU-PL-PP-C9     | 3     | 30 | 19   | 3/4          | 36 | 70  | 23.5 | 53 | 182 |
| 571823-C9 | DCK-D-3-20-20-SRE-PU-PL-PP-C9     | 3     | 30 | 20   | -            | 36 | 70  | 23.5 | 53 | 181 |
| 571825-C9 | DCK-D-3-21.3-21.3-SRE-PU-PL-PP-C9 | 3     | 30 | 21.3 | -            | 36 | 70  | 23.5 | 53 | 178 |
| 571827-C9 | DCK-D-3-22-22-SRE-PU-PL-PP-C9     | 3     | 30 | 22   | 7/8          | 36 | 70  | 23.5 | 53 | 177 |
| 571829-C9 | DCK-D-3-23-23-SRE-PU-PL-PP-C9     | 3     | 30 | 23   | -            | 36 | 70  | 23.5 | 53 | 176 |
| 571831-C9 | DCK-D-3-24-24-SRE-PU-PL-PP-C9     | 3     | 30 | 24   | -            | 36 | 70  | 23.5 | 53 | 178 |
| 571833-C9 | DCK-D-3-25-25-SRE-PU-PL-PP-C9     | 3     | 30 | 25   | -            | 36 | 70  | 23.5 | 53 | 172 |
| 571835-C9 | DCK-D-3-25.4-25.4-SRE-PU-PL-PP-C9 | 3     | 30 | 25.4 | 1            | 36 | 70  | 23.5 | 53 | 172 |
| 571841-C9 | DCK-D-4-26.9-26.9-SRE-PU-PL-PP-C9 | 4     | 30 | 26.9 | -            | 45 | 85  | 26   | 58 | 221 |
| 571843-C9 | DCK-D-4-28-28-SRE-PU-PL-PP-C9     | 4     | 30 | 28   | -            | 45 | 85  | 26   | 58 | 218 |
| 571845-C9 | DCK-D-4-30-30-SRE-PU-PL-PP-C9     | 4     | 30 | 30   | -            | 45 | 85  | 26   | 58 | 214 |
| 571851-C9 | DCK-D-5-32-32-SRE-PU-PL-PP-C9     | 5     | 30 | 32   | 1 1/4        | 56 | 110 | 31.5 | 69 | 275 |
| 571853-C9 | DCK-D-5-33.7-33.7-SRE-PU-PL-PP-C9 | 5     | 30 | 33.7 | -            | 56 | 110 | 31.5 | 69 | 271 |
| 571855-C9 | DCK-D-5-35-35-SRE-PU-PL-PP-C9     | 5     | 30 | 35   | -            | 56 | 110 | 31.5 | 69 | 268 |
| 571857-C9 | DCK-D-5-38-38-SRE-PU-PL-PP-C9     | 5     | 30 | 38   | 1 1/2        | 56 | 110 | 31.5 | 69 | 260 |
| 571859-C9 | DCK-D-5-42.4-42.4-SRE-PU-PL-PP-C9 | 5     | 30 | 42.4 | -            | 56 | 110 | 31.5 | 69 | 248 |

DCK-D\*-SRE-PU-NTG  
(\*Group 1+5)



METRIC

| Code      | Description                        | Group | b  | d    | d Tube [GAS] | f  | l   | h    | h1   | ⚖   |
|-----------|------------------------------------|-------|----|------|--------------|----|-----|------|------|-----|
| 571871-C9 | DCK-D-1-6-6-SRE-PU-NTG-PP-C9       | 1     | 30 | 6    | -            | 20 | 36  | 19   | 43.5 | 62  |
| 571873-C9 | DCK-D-1-6.4-6.4-SRE-PU-NTG-PP-C9   | 1     | 30 | 6.4  | 1/4          | 20 | 36  | 19   | 43.5 | 60  |
| 571875-C9 | DCK-D-1-8-8-SRE-PU-NTG-PP-C9       | 1     | 30 | 8    | 5/16         | 20 | 36  | 19   | 43.5 | 61  |
| 571877-C9 | DCK-D-1-9.5-9.5-SRE-PU-NTG-PP-C9   | 1     | 30 | 9.5  | 3/8          | 20 | 36  | 19   | 43.5 | 60  |
| 571879-C9 | DCK-D-1-10-10-SRE-PU-NTG-PP-C9     | 1     | 30 | 10   | -            | 20 | 36  | 19   | 43.5 | 75  |
| 571881-C9 | DCK-D-1-12-12-SRE-PU-NTG-PP-C9     | 1     | 30 | 12   | -            | 20 | 36  | 19   | 43.5 | 56  |
| 571883-C9 | DCK-D-1-12.7-12.7-SRE-PU-NTG-PP-C9 | 1     | 30 | 12.7 | 1/2          | 20 | 36  | 19   | 43.5 | 57  |
| 571891-C9 | DCK-D-2-12-12-SRE-PU-NTG-PP-C9     | 2     | 30 | 12   | -            | 29 | 53  | 19   | 43.5 | 86  |
| 571893-C9 | DCK-D-2-12.7-12.7-SRE-PU-NTG-PP-C9 | 2     | 30 | 12.7 | 1/2          | 29 | 53  | 19   | 43.5 | 86  |
| 571895-C9 | DCK-D-2-13.5-13.5-SRE-PU-NTG-PP-C9 | 2     | 30 | 13.5 | -            | 29 | 53  | 19   | 43.5 | 88  |
| 571897-C9 | DCK-D-2-14-14-SRE-PU-NTG-PP-C9     | 2     | 30 | 14   | -            | 29 | 53  | 19   | 43.5 | 85  |
| 571899-C9 | DCK-D-2-15-15-SRE-PU-NTG-PP-C9     | 2     | 30 | 15   | -            | 29 | 53  | 19   | 43.5 | 84  |
| 571901-C9 | DCK-D-2-16-16-SRE-PU-NTG-PP-C9     | 2     | 30 | 16   | 5/8          | 29 | 53  | 19   | 43.5 | 83  |
| 571903-C9 | DCK-D-2-17.2-17.2-SRE-PU-NTG-PP-C9 | 2     | 30 | 17.2 | -            | 29 | 53  | 19   | 43.5 | 82  |
| 571905-C9 | DCK-D-2-18-18-SRE-PU-NTG-PP-C9     | 2     | 30 | 18   | -            | 29 | 53  | 19   | 43.5 | 81  |
| 571911-C9 | DCK-D-3-19-19-SRE-PU-NTG-PP-C9     | 3     | 30 | 19   | 3/4          | 36 | 67  | 24   | 53.5 | 111 |
| 571913-C9 | DCK-D-3-20-20-SRE-PU-NTG-PP-C9     | 3     | 30 | 20   | -            | 36 | 67  | 24   | 53.5 | 109 |
| 571915-C9 | DCK-D-3-21.3-21.3-SRE-PU-NTG-PP-C9 | 3     | 30 | 21.3 | -            | 36 | 67  | 24   | 53.5 | 107 |
| 571917-C9 | DCK-D-3-22-22-SRE-PU-NTG-PP-C9     | 3     | 30 | 22   | 7/8          | 36 | 67  | 24   | 53.5 | 105 |
| 571919-C9 | DCK-D-3-23-23-SRE-PU-NTG-PP-C9     | 3     | 30 | 23   | -            | 36 | 67  | 24   | 53.5 | 104 |
| 571921-C9 | DCK-D-3-24-24-SRE-PU-NTG-PP-C9     | 3     | 30 | 24   | -            | 36 | 67  | 24   | 53.5 | 107 |
| 571923-C9 | DCK-D-3-25-25-SRE-PU-NTG-PP-C9     | 3     | 30 | 25   | -            | 36 | 67  | 24   | 53.5 | 100 |
| 571925-C9 | DCK-D-3-25.4-25.4-SRE-PU-NTG-PP-C9 | 3     | 30 | 25.4 | 1            | 36 | 67  | 24   | 53.5 | 100 |
| 571931-C9 | DCK-D-4-26.9-26.9-SRE-PU-NTG-PP-C9 | 4     | 30 | 26.9 | -            | 45 | 81  | 26.5 | 58.5 | 133 |
| 571933-C9 | DCK-D-4-28-28-SRE-PU-NTG-PP-C9     | 4     | 30 | 28   | -            | 45 | 81  | 26.5 | 58.5 | 130 |
| 571935-C9 | DCK-D-4-30-30-SRE-PU-NTG-PP-C9     | 4     | 30 | 30   | -            | 45 | 81  | 26.5 | 58.5 | 125 |
| 571941-C9 | DCK-D-5-32-32-SRE-PU-NTG-PP-C9     | 5     | 30 | 32   | 1 1/4        | 56 | 106 | 32   | 69.5 | 186 |
| 571943-C9 | DCK-D-5-33.7-33.7-SRE-PU-NTG-PP-C9 | 5     | 30 | 33.7 | -            | 56 | 106 | 32   | 69.5 | 182 |
| 571945-C9 | DCK-D-5-35-35-SRE-PU-NTG-PP-C9     | 5     | 30 | 35   | -            | 56 | 106 | 32   | 69.5 | 180 |
| 571947-C9 | DCK-D-5-38-38-SRE-PU-NTG-PP-C9     | 5     | 30 | 38   | 1 1/2        | 56 | 106 | 32   | 69.5 | 171 |
| 571949-C9 | DCK-D-5-42.4-42.4-SRE-PU-NTG-PP-C9 | 5     | 30 | 42.4 | -            | 56 | 106 | 32   | 69.5 | 159 |



Accessories for hydraulic systems