

MATERIAL

Phosphated steel.

STANDARD EXECUTIONS

- **DCE-PL-S**: for use with DCE-S standard series tube clamps (DIN 3015-1).
- **DCE-PL-H**: for use with DCE-H heavy-duty series tube clamps (DIN 3015-2).
- **DCE-PL-D**: for use with DCE-D double series tube clamps (DIN 3015-3).

FEATURES AND APPLICATIONS

The plates form the support base for the clamps, allowing them to be fixed to a flat surface.

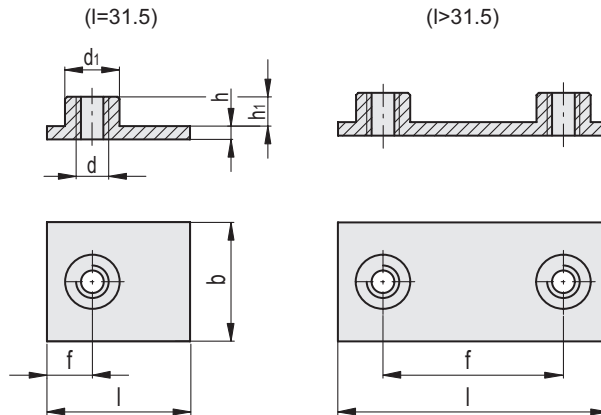
EXECUTIONS ON REQUEST

AISI 316L stainless steel.

ACCESSORIES

For the assembly kit DCK-S, DCK-H and DCK-D.

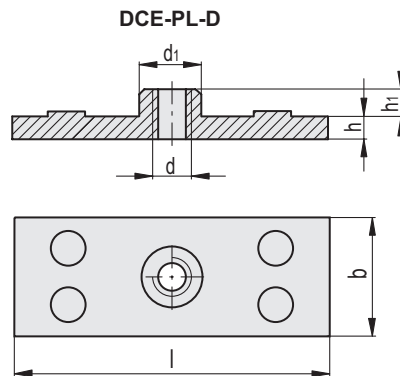
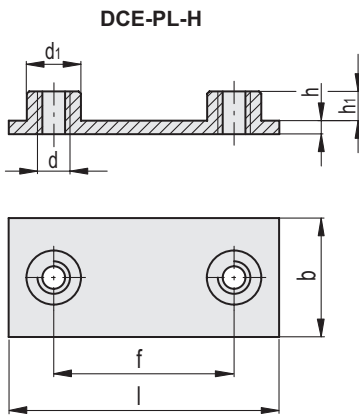
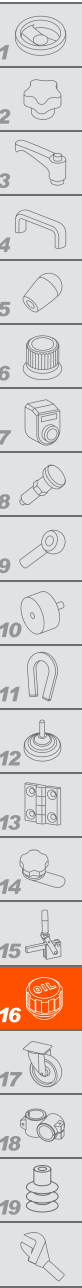
- DCE-S: standard series tube clamps.
- DCE-H: heavy-duty series tube clamps.
- DCE-D: double series tube clamps.
- DCE-PU: cover plates.
- DCE-SRE: hexagon head screws.
- DCE-SRC: cylinder head screws.
- DCE-WA: flat washers.
- DCE-GU: mounting guides.
- DCE-NTG: nuts for mounting guides.



DCE-PL-S

METRIC

Code	Description	b	d	d1	f	l	h	h1	For tube clamp	⚖
570101	DCE-PL-S-1-M6-PH	30	M 6	12	10	31.5	3	6.5	DCE-S-1	26
570102	DCE-PL-S-2-M6-PH	30	M 6	12	20	36	3	6.5	DCE-S-2	32
570103	DCE-PL-S-3-M6-PH	30	M 6	12	26	42	3	6.5	DCE-S-3	36
570104	DCE-PL-S-4-M6-PH	30	M 6	12	33	50	3	6.5	DCE-S-4	42
570105	DCE-PL-S-5-M6-PH	30	M 6	12	40	60	3	6.5	DCE-S-5	49
570106	DCE-PL-S-6-M6-PH	30	M 6	12	52	71	3	6.5	DCE-S-6	26
570107	DCE-PL-S-7-M6-PH	30	M 6	12	66	88	3	6.5	DCE-S-7	70



DCE-PL-H

METRIC

Code	Description	b	d	d1	f	l	h	h1	For tube clamp	⚖️
570341	DCE-PL-H-1-M10-PH	30	M 10	18	33	74	8	8	DCE-H-1	148
570343	DCE-PL-H-2-M10-PH	30	M 10	18	45	86	8	8	DCE-H-2	198
570345	DCE-PL-H-3-M10-PH	30	M 10	18	60	100	8	8	DCE-H-3	198
570347	DCE-PL-H-4-M12-PH	45	M 12	20	90	140	10	8	DCE-H-4	490
570349	DCE-PL-H-5-M16-PH	60	M 16	24	122	180	10	12	DCE-H-5	855

DCE-PL-D

Code	Description	b	d	d1	l	h	h1	For tube clamp	⚖️
570471	DCE-PL-D-1-M6-PH	30	M 6	12	37	3	6.5	DCE-D-1	29
570473	DCE-PL-D-2-M8-PH	30	M 8	14	55	5	6	DCE-D-2	68
570475	DCE-PL-D-3-M8-PH	30	M 8	14	70	5	6	DCE-D-3	85
570477	DCE-PL-D-4-M8-PH	30	M 8	14	85	5	6	DCE-D-4	102
570479	DCE-PL-D-5-M8-PH	30	M 8	14	110	5	6	DCE-D-5	102