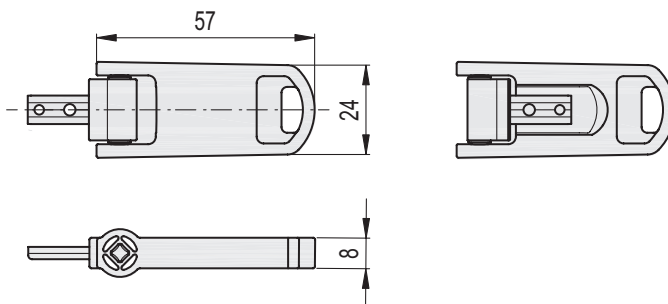
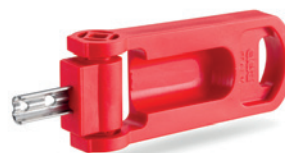


- 1
- 2
- 3
- 4
- 5
- 6
- 7
- 8
- 9
- 10
- 11
- 12
- 13
- 14
- 15
- 16
- 17
- 18

MATERIAL

Acetal resin-based (POM) technopolymer, red colour, with stainless steel anti-intrusion-profile insert.



Accessories for hydraulic systems

METRIC

CWL

Code	Description	
6953	CWL	10