

- 1
- 2
- 3
- 4
- 5
- 6
- 7
- 8
- 9
- 10
- 11
- 12
- 13
- 14
- 15
- 16
- 17
- 18

MATERIAL

Die-cast zinc alloy.

ADJUSTABLE HANDLE FOR CLAMPING

Die-cast zinc alloy lever, epoxy resin coating, RAL 9005 black colour (SW) or RAL 9006 grey colour (SR), matte finish.

Retaining screw and threaded element in zinc-plated steel.

AISI 301 stainless steel return spring.

GUIDE BUSH

Acetal resin based (POM) technopolymer.

CLAMPING ELEMENTS

Nut with threaded blind hole in zinc-plated steel, surrounded by acetal resin based (POM) technopolymer.

WORKING TEMPERATURE

80°C.

STANDARD EXECUTIONS

Pass-through holes for countersunk head screws.

- **CMUF-AH-SW**: epoxy resin coating, RAL 9005 black colour, matte finish.

- **CMUF-AH-SR**: epoxy resin coating, RAL 9006 light grey colour, matte finish.

FEATURES AND APPLICATIONS

In its resting position, the internal teeth of the lever of the adjustable handle for clamping is not connected to the teeth of the hinge locking element, i.e. they can rotate freely.

The teeth engage only when the handle is pressed down, allowing the hinge to be locked, preventing its involuntary release and making it possible to place the desired lever in the resting position, so as not to hinder the movement of the door or cover.

The CMUF-AH hinges with friction brake make it possible to adjust the door opening and closing position as desired and to lock it in any position within a rotation range of 270°.

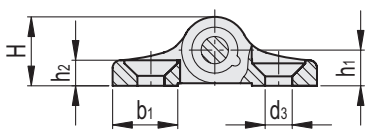
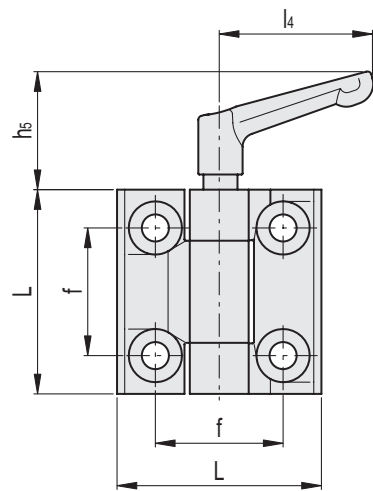
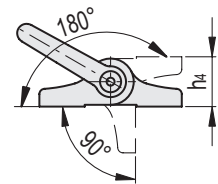
ROTATION ANGLE (APPROXIMATE VALUE)

Max 270° (-90° and +180° being 0° the condition where the two interconnected surfaces are on the same plane).

ACCESSORIES ON REQUEST

- PCM-SP: spacer plates for hinges (see page -).

- PCM-TH: spacer for hinge fixing (see page -).



Conversion Table	
1 mm = 0.039 inch	
mm	inch
60	2.36

CMUF-AH-SW

Code	Description	L	d3	f	H	h1	h2	h4	h5	l4	b1	⚖️
428882	CMUF.60-AH-SH-8-SW	60	8.3	36	18.5	9.5	7.5	19	35	45	20	192

METRIC

CMUF-AH-SR

Code	Description	L	d3	f	H	h1	h2	h4	h5	l4	b1	⚖️
428881	CMUF.60-AH-SH-8-SR	60	8.3	36	18.5	9.5	7.5	19	35	45	20	191

METRIC

Hinges and accessories