

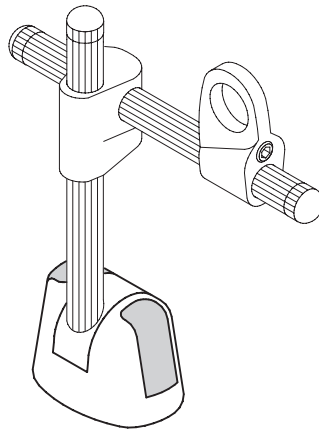
- 1
- 2
- 3
- 4
- 5
- 6
- 7
- 8
- 9
- 10
- 11
- 12**
- 13
- 14
- 15
- 16
- 17
- 18
- 19

MATERIAL

Polyamide based (PA) technopolymer in six colours, glossy finish.

ASSEMBLY

Press-fit assembly.



* Complete with colour index, example: 440011-C2 CC-MSR.60-C2

- C1**
RAL7021
- C2**
RAL2004
- C3**
RAL7035
- C4**
RAL1021
- C5**
RAL5024
- C6**
RAL3000

Code	Description	Calottina copriviti per	
440011-*	CC-MSR.60-*	MSR.60-B	1