

- 1
- 2
- 3
- 4
- 5
- 6
- 7**
- 8
- 9
- 10
- 11
- 12
- 13
- 14
- 15
- 16
- 17
- 18

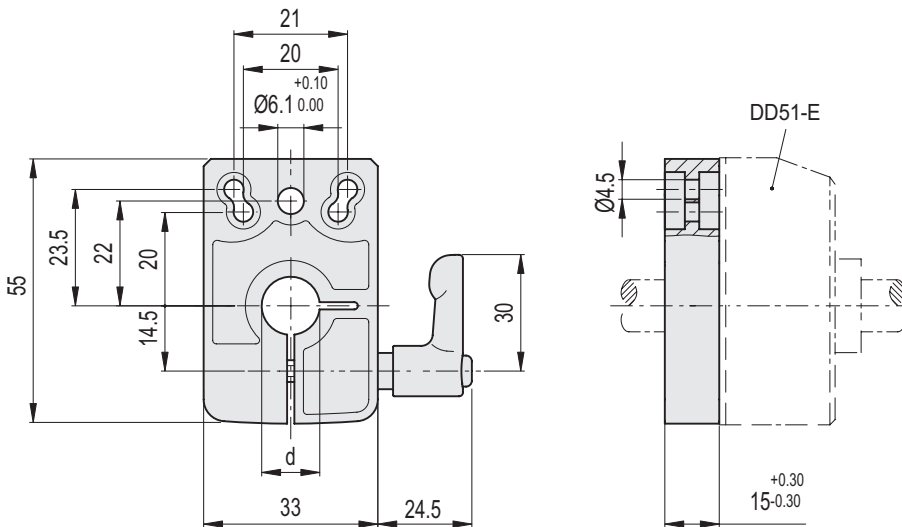
MATERIAL

Die-cast zinc alloy bases for spindle locking, epoxy resin coating, black colour, matte finish.

GN 302.1 adjustable handle with lever body in die-cast zinc alloy, black colour and AISI 303 stainless steel clamping element.

FEATURES AND APPLICATIONS

BSA51-E locking bases allow an easy and quick locking of the spindles after their positioning. They are equipped with a Ø 6.1 mm hole to fit the referring pin of the indicator. They can be assembled with the handle either on the right or on the left and can be fitted to the machine by means of two M4 cylindrical-head screws (not included in the supply).



Code	Description	dF9	△
CE.85925	BSA51-E-8	8	141
CE.85927	BSA51-E-10	10	167
CE.85929	BSA51-E-12	12	134
CE.85931	BSA51-E-14	14	131