

- 1
- 2
- 3
- 4
- 5
- 6
- 7**
- 8
- 9
- 10
- 11
- 12
- 13
- 14
- 15
- 16
- 17
- 18

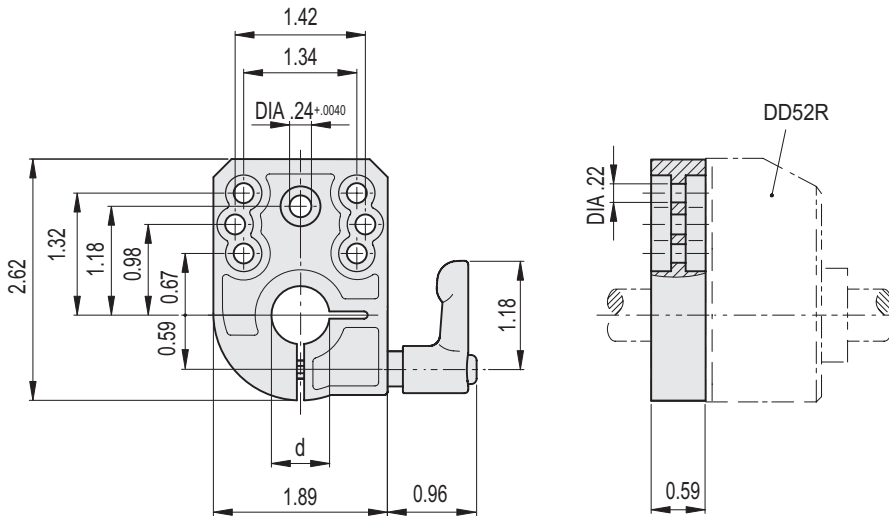
**MATERIAL**

Die-cast zinc alloy bases for spindle locking, epoxy resin coating, black colour, matte finish.

GN 302.1 adjustable handle with lever body in die-cast zinc alloy, black color and AISI 303 stainless steel clamping element.

**FEATURES AND APPLICATIONS**

BSA-N52 locking bases allow an easy and quick locking of the spindles after their positioning. DIA 0.24 (Ø 6.1 mm) hole to fit the referring pin of the indicator. Handle position either on the right or on the left. Fitting to the machine by means of two M5 cylindrical-head screws (not included in the supply).



Code	Description	d	Δ
CE987921	BSA-N52-1/2	0.500	0.43
CE987924	BSA-N52-5/8	0.625	0.41
CE987929	BSA-N52-3/4	0.750	0.39