

- 1
- 2
- 3
- 4
- 5
- 6
- 7
- 8
- 9
- 10
- 11
- 12
- 13
- 14
- 15
- 16
- 17
- 18

## HANDTAG

Pressgjuten zinklegering, epoxybeläggning, orange, röd, grå, svart färg, matt yta.

## STANDARDUTFÖRANDE

- **ERM-A:** bussning i svartoxiderat stål med gängat hål, fästskruv i svartoxiderat stål. Returfjäder i stål.
- **ERM-SST:** bussning i AISI 303 rostfritt stål med gängat hål, fästskruv i AISI 303 rostfritt stål. Returfjäder i AISI 301 rostfritt stål.
- **ERM-p:** gängad tapp i svartoxiderat stål, fästskruv i svartoxiderat stål. Returfjäder i stål.
- **ERM-SST-p:** gängad tapp i AISI 303 rostfritt stål, fästskruv i AISI 303 rostfritt stål. Returfjäder i AISI 301 rostfritt stål.

## KÄNNETECKEN OCH ANVÄNDNING

Särskilt lämplig när spakens vridningsvinkel är begränsad på grund av bristande utrymme.

## SPECIALUTFÖRANDE PÅ FÖRFRÅGAN

- Handtag i olika färger.
- Förkromat handtag.
- Bussning med slätt hål.

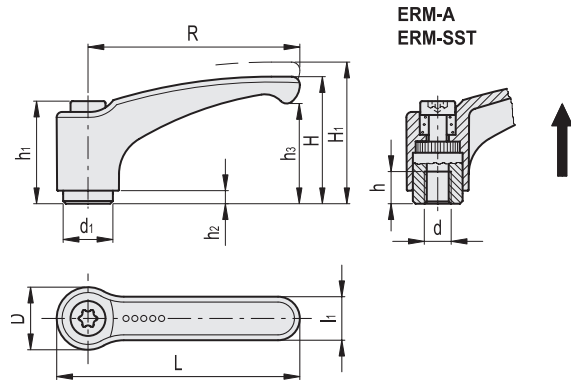
## BRUKSANVISNING

För fastspänning, lyft spaken för att frigöra kuggkransen och föra den tillbaka till utgångsläget. Genom att släppa spaken, kopplar returfjädern automatiskt in kuggkransen igen.

Om spaken inte kan göra en 360 ° rotation kan spaken lätt skruvas fast med hjälp av sexkantsskruven (efter att ha frikopplad spaken).



ERGOSTYLE® ELESA Original design



\*Komplettera med färgindex, exempel: 240002-C2 ERM.44 A-M4-C2

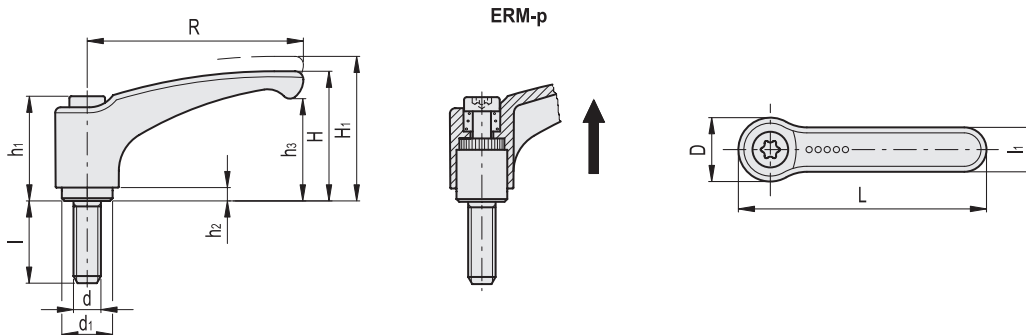
- C2 RAL2004
- C6 RAL3000
- C8 RAL9006
- C9 RAL9005

## ERM-A

Kod	Benämning	R	d	L	D	H	H1	h	h1	h2	h3	d1	l1	Antal kuggar	Δ
240002.*	ERM.44 A-M4.*	44	M4	52	14.5	30	33	8	24.5	3.5	20.5	10	11	18	16
240003.*	ERM.44 A-M5.*	44	M5	52	14.5	30	33	8	24.5	3.5	20.5	10	11	18	16
240004.*	ERM.44 A-M6.*	44	M6	52	14.5	30	33	8	24.5	3.5	20.5	10	11	18	15
240014.*	ERM.63 A-M6.*	63	M6	73.5	18	38	41	10	31	3.5	27	13.5	13.5	24	36
240015.*	ERM.63 A-M8.*	63	M8	73.5	18	38	41	10	31	3.5	27	13.5	13.5	24	34
240025.*	ERM.78 A-M8.*	78	M8	90.5	21.5	46	50	14	36	3.5	34.5	16	16	26	61
240026.*	ERM.78 A-M10.*	78	M10	90.5	21.5	46	50	14	36	3.5	34.5	16	16	26	55
240036.*	ERM.95 A-M10.*	95	M10	109	25	56	61	17	43	5	42	19.5	18	28	93
240037.*	ERM.95 A-M12.*	95	M12	109	25	56	61	17	43	5	42	19.5	18	28	86

## ERM-SST

Kod	Benämning	R	d	L	D	H	H1	h	h1	h2	h3	d1	l1	Antal kuggar	Δ
241002.*	ERM.44 SST-A-M4.*	44	M4	52	14.5	30	33	8	24.5	3.5	20.5	10	11	18	16
241003.*	ERM.44 SST-A-M5.*	44	M5	52	14.5	30	33	8	24.5	3.5	20.5	10	11	18	15
241014.*	ERM.63 SST-A-M6.*	63	M6	73.5	18	38	41	10	31	3.5	27	13.5	13.5	24	36
241015.*	ERM.63 SST-A-M8.*	63	M8	73.5	18	38	41	10	31	3.5	27	13.5	13.5	24	34
241025.*	ERM.78 SST-A-M8.*	78	M8	90.5	21.5	46	50	14	36	3.5	34.5	16	16	26	61
241026.*	ERM.78 SST-A-M10.*	78	M10	90.5	21.5	46	50	14	36	3.5	34.5	16	16	26	55
241036.*	ERM.95 SST-A-M10.*	95	M10	109	25	56	61	17	43	5	42	19.5	18	28	93
241037.*	ERM.95 SST-A-M12.*	95	M12	109	25	56	61	17	43	5	42	19.5	18	28	86

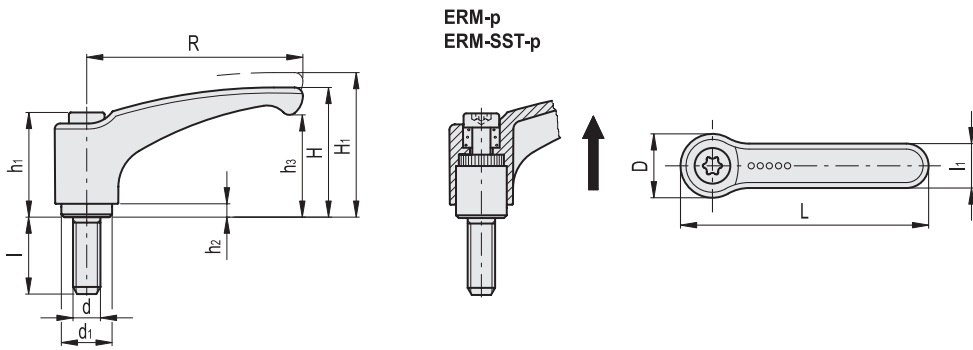
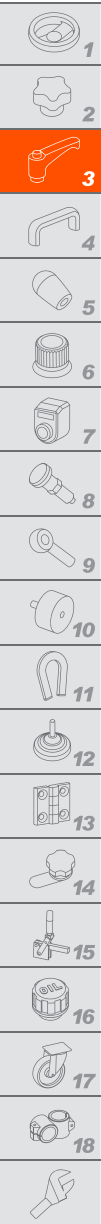


\*Komplettera med färgindex, exempel: 240103-C2 ERM.44 p-M4x12-C2

C2 RAL2004
  C6 RAL3000
  C8 RAL9006
  C9 RAL9005

## ERM-p

Kod	Benämning	R	d	L	D	H	H1	h1	h2	h3	d1	l	l1	Antal kuggar	⚖
240103*	ERM.44 p-M4x12*	44	M4	52	14.5	30	33	24.5	3.5	20.5	10	12	11	18	15
240105*	ERM.44 p-M4x16*	44	M4	52	14.5	30	33	24.5	3.5	20.5	10	16	11	18	16
240107*	ERM.44 p-M4x20*	44	M4	52	14.5	30	33	24.5	3.5	20.5	10	20	11	18	17
240109*	ERM.44 p-M4x25*	44	M4	52	14.5	30	33	24.5	3.5	20.5	10	25	11	18	18
240111*	ERM.44 p-M4x32*	44	M4	52	14.5	30	33	24.5	3.5	20.5	10	32	11	18	19
240133*	ERM.44 p-M5x12*	44	M5	52	14.5	30	33	24.5	3.5	20.5	10	12	11	18	17
240135*	ERM.44 p-M5x16*	44	M5	52	14.5	30	33	24.5	3.5	20.5	10	16	11	18	18
240137*	ERM.44 p-M5x20*	44	M5	52	14.5	30	33	24.5	3.5	20.5	10	20	11	18	19
240139*	ERM.44 p-M5x25*	44	M5	52	14.5	30	33	24.5	3.5	20.5	10	25	11	18	20
240141*	ERM.44 p-M5x32*	44	M5	52	14.5	30	33	24.5	3.5	20.5	10	32	11	18	21
240143*	ERM.44 p-M5x40*	44	M5	52	14.5	30	33	24.5	3.5	20.5	10	40	11	18	22
240145*	ERM.44 p-M5x50*	44	M5	52	14.5	30	33	24.5	3.5	20.5	10	50	11	18	23
240153*	ERM.44 p-M6x12*	44	M6	52	14.5	30	33	24.5	3.5	20.5	10	12	11	18	19
240155*	ERM.44 p-M6x16*	44	M6	52	14.5	30	33	24.5	3.5	20.5	10	16	11	18	20
240157*	ERM.44 p-M6x20*	44	M6	52	14.5	30	33	24.5	3.5	20.5	10	20	11	18	21
240159*	ERM.44 p-M6x25*	44	M6	52	14.5	30	33	24.5	3.5	20.5	10	25	11	18	22
240161*	ERM.44 p-M6x32*	44	M6	52	14.5	30	33	24.5	3.5	20.5	10	32	11	18	23
240163*	ERM.44 p-M6x40*	44	M6	52	14.5	30	33	24.5	3.5	20.5	10	40	11	18	24
240165*	ERM.44 p-M6x50*	44	M6	52	14.5	30	33	24.5	3.5	20.5	10	50	11	18	25
240233*	ERM.63 p-M6x12*	63	M6	73.5	18	38	41	31	3.5	27	13.5	12	13.5	24	47
240235*	ERM.63 p-M6x16*	63	M6	73.5	18	38	41	31	3.5	27	13.5	16	13.5	24	49
240237*	ERM.63 p-M6x20*	63	M6	73.5	18	38	41	31	3.5	27	13.5	20	13.5	24	55
240239*	ERM.63 p-M6x25*	63	M6	73.5	18	38	41	31	3.5	27	13.5	25	13.5	24	57
240241*	ERM.63 p-M6x32*	63	M6	73.5	18	38	41	31	3.5	27	13.5	32	13.5	24	61
240243*	ERM.63 p-M6x40*	63	M6	73.5	18	38	41	31	3.5	27	13.5	40	13.5	24	68
240245*	ERM.63 p-M6x50*	63	M6	73.5	18	38	41	31	3.5	27	13.5	50	13.5	24	77
240247*	ERM.63 p-M6x63*	63	M6	73.5	18	38	41	31	3.5	27	13.5	63	13.5	24	79
240251*	ERM.63 p-M8x12*	63	M8	73.5	18	38	41	31	3.5	27	13.5	12	13.5	24	40
240253*	ERM.63 p-M8x16*	63	M8	73.5	18	38	41	31	3.5	27	13.5	16	13.5	24	41
240255*	ERM.63 p-M8x20*	63	M8	73.5	18	38	41	31	3.5	27	13.5	20	13.5	24	42
240257*	ERM.63 p-M8x25*	63	M8	73.5	18	38	41	31	3.5	27	13.5	25	13.5	24	43
240259*	ERM.63 p-M8x32*	63	M8	73.5	18	38	41	31	3.5	27	13.5	32	13.5	24	44
240261*	ERM.63 p-M8x40*	63	M8	73.5	18	38	41	31	3.5	27	13.5	40	13.5	24	46
240263*	ERM.63 p-M8x50*	63	M8	73.5	18	38	41	31	3.5	27	13.5	50	13.5	24	48
240265*	ERM.63 p-M8x63*	63	M8	73.5	18	38	41	31	3.5	27	13.5	63	13.5	24	51
240273*	ERM.63 p-M10x20*	63	M10	73.5	18	38	41	31	3.5	27	13.5	20	13.5	24	42
240275*	ERM.63 p-M10x25*	63	M10	73.5	18	38	41	31	3.5	27	13.5	25	13.5	24	43
240277*	ERM.63 p-M10x32*	63	M10	73.5	18	38	41	31	3.5	27	13.5	32	13.5	24	45
240279*	ERM.63 p-M10x40*	63	M10	73.5	18	38	41	31	3.5	27	13.5	40	13.5	24	47
240281*	ERM.63 p-M10x50*	63	M10	73.5	18	38	41	31	3.5	27	13.5	50	13.5	24	52
240283*	ERM.63 p-M10x63*	63	M10	73.5	18	38	41	31	3.5	27	13.5	63	13.5	24	53
240285*	ERM.63 p-M10x80*	63	M10	73.5	18	38	41	31	3.5	27	13.5	80	13.5	24	57



\*Komplettera med färgindex, exempel: 240103-C2 ERM.44 p-M4x12-C2

<span style="background-color: orange; border: 1px solid black; padding: 2px;">C2</span>	<span style="background-color: red; border: 1px solid black; padding: 2px;">C6</span>	<span style="background-color: lightblue; border: 1px solid black; padding: 2px;">C8</span>	<span style="background-color: black; border: 1px solid black; padding: 2px;">C9</span>
RAL2004	RAL3000	RAL9006	RAL9005

ERM-p


Kod	Benämning	R	d	L	D	H	H1	h1	h2	h3	d1	l	l1	Antal kuggar	Δ
240333.*	ERM.78 p-M8x16-*	78	M8	90.5	21.5	46	50	36	3.5	34.5	16	16	16	26	70
240335.*	ERM.78 p-M8x20-*	78	M8	90.5	21.5	46	50	36	3.5	34.5	16	20	16	26	73
240337.*	ERM.78 p-M8x25-*	78	M8	90.5	21.5	46	50	36	3.5	34.5	16	25	16	26	76
240339.*	ERM.78 p-M8x32-*	78	M8	90.5	21.5	46	50	36	3.5	34.5	16	32	16	26	81
240341.*	ERM.78 p-M8x40-*	78	M8	90.5	21.5	46	50	36	3.5	34.5	16	40	16	26	86
240343.*	ERM.78 p-M8x50-*	78	M8	90.5	21.5	46	50	36	3.5	34.5	16	50	16	26	88
240345.*	ERM.78 p-M8x63-*	78	M8	90.5	21.5	46	50	36	3.5	34.5	16	63	16	26	94
240347.*	ERM.78 p-M8x80-*	78	M8	90.5	21.5	46	50	36	3.5	34.5	16	80	16	26	97
240351.*	ERM.78 p-M10x16-*	78	M10	90.5	21.5	46	50	36	3.5	34.5	16	16	16	26	82
240353.*	ERM.78 p-M10x20-*	78	M10	90.5	21.5	46	50	36	3.5	34.5	16	20	16	26	85
240355.*	ERM.78 p-M10x25-*	78	M10	90.5	21.5	46	50	36	3.5	34.5	16	25	16	26	91
240357.*	ERM.78 p-M10x32-*	78	M10	90.5	21.5	46	50	36	3.5	34.5	16	32	16	26	98
240359.*	ERM.78 p-M10x40-*	78	M10	90.5	21.5	46	50	36	3.5	34.5	16	40	16	26	108
240361.*	ERM.78 p-M10x50-*	78	M10	90.5	21.5	46	50	36	3.5	34.5	16	50	16	26	120
240363.*	ERM.78 p-M10x63-*	78	M10	90.5	21.5	46	50	36	3.5	34.5	16	63	16	26	124
240365.*	ERM.78 p-M10x80-*	78	M10	90.5	21.5	46	50	36	3.5	34.5	16	80	16	26	127
240373.*	ERM.78 p-M12x25-*	78	M12	90.5	21.5	46	50	36	3.5	34.5	16	25	16	26	109
240375.*	ERM.78 p-M12x32-*	78	M12	90.5	21.5	46	50	36	3.5	34.5	16	32	16	26	118
240377.*	ERM.78 p-M12x40-*	78	M12	90.5	21.5	46	50	36	3.5	34.5	16	40	16	26	130
240379.*	ERM.78 p-M12x50-*	78	M12	90.5	21.5	46	50	36	3.5	34.5	16	50	16	26	144
240381.*	ERM.78 p-M12x63-*	78	M12	90.5	21.5	46	50	36	3.5	34.5	16	63	16	26	149
240383.*	ERM.78 p-M12x80-*	78	M12	90.5	21.5	46	50	36	3.5	34.5	16	80	16	26	152
240423.*	ERM.95 p-M10x16-*	95	M10	109	25	56	61	43	5	42	19	16	18	28	111
240425.*	ERM.95 p-M10x20-*	95	M10	109	25	56	61	43	5	42	19	20	18	28	113
240427.*	ERM.95 p-M10x25-*	95	M10	109	25	56	61	43	5	42	19	25	18	28	115
240429.*	ERM.95 p-M10x32-*	95	M10	109	25	56	61	43	5	42	19	32	18	28	118
240431.*	ERM.95 p-M10x40-*	95	M10	109	25	56	61	43	5	42	19	40	18	28	121
240433.*	ERM.95 p-M10x50-*	95	M10	109	25	56	61	43	5	42	19	50	18	28	128
240435.*	ERM.95 p-M10x63-*	95	M10	109	25	56	61	43	5	42	19	63	18	28	133
240437.*	ERM.95 p-M10x80-*	95	M10	109	25	56	61	43	5	42	19	80	18	28	141
240447.*	ERM.95 p-M12x16-*	95	M12	109	25	56	61	43	5	42	19	16	18	28	113
240449.*	ERM.95 p-M12x20-*	95	M12	109	25	56	61	43	5	42	19	20	18	28	117
240451.*	ERM.95 p-M12x25-*	95	M12	109	25	56	61	43	5	42	19	25	18	28	122
240453.*	ERM.95 p-M12x32-*	95	M12	109	25	56	61	43	5	42	19	32	18	28	125
240455.*	ERM.95 p-M12x40-*	95	M12	109	25	56	61	43	5	42	19	40	18	28	132
240457.*	ERM.95 p-M12x50-*	95	M12	109	25	56	61	43	5	42	19	50	18	28	141
240459.*	ERM.95 p-M12x63-*	95	M12	109	25	56	61	43	5	42	19	63	18	28	151
240461.*	ERM.95 p-M12x80-*	95	M12	109	25	56	61	43	5	42	19	80	18	28	160
240473.*	ERM.95 p-M16x25-*	95	M16	109	25	56	61	43	5	42	19	25	18	28	139
240475.*	ERM.95 p-M16x32-*	95	M16	109	25	56	61	43	5	42	19	32	18	28	146
240477.*	ERM.95 p-M16x40-*	95	M16	109	25	56	61	43	5	42	19	40	18	28	154
240479.*	ERM.95 p-M16x50-*	95	M16	109	25	56	61	43	5	42	19	50	18	28	171
240481.*	ERM.95 p-M16x63-*	95	M16	109	25	56	61	43	5	42	19	63	18	28	184
240483.*	ERM.95 p-M16x80-*	95	M16	109	25	56	61	43	5	42	19	80	18	28	199

\*Komplettera med färgindex, exempel: 241133-C2 ERM.44 SST-p-M5x12-C2

 C2	 C6	 C8	 C9
RAL2004	RAL3000	RAL9006	RAL9005

## ERM-SST-p

INOX STAINLESS STEEL

Kod	Benämning	R	d	L	D	H	H1	h1	h2	h3	d1	l	l1	Antal kuggar	
241133-*	ERM.44 SST-p-M5x12-*	44	M5	52	14.5	30	33	24.5	3.5	20.5	10	12	11	18	17
241135-*	ERM.44 SST-p-M5x16-*	44	M5	52	14.5	30	33	24.5	3.5	20.5	10	16	11	18	18
241137-*	ERM.44 SST-p-M5x20-*	44	M5	52	14.5	30	33	24.5	3.5	20.5	10	20	11	18	19
241139-*	ERM.44 SST-p-M5x25-*	44	M5	52	14.5	30	33	24.5	3.5	20.5	10	25	11	18	20
241141-*	ERM.44 SST-p-M5x32-*	44	M5	52	14.5	30	33	24.5	3.5	20.5	10	32	11	18	21
241143-*	ERM.44 SST-p-M5x40-*	44	M5	52	14.5	30	33	24.5	3.5	20.5	10	40	11	18	22
241145-*	ERM.44 SST-p-M5x50-*	44	M5	52	14.5	30	33	24.5	3.5	20.5	10	50	11	18	23
241153-*	ERM.44 SST-p-M6x12-*	44	M6	52	14.5	30	33	24.5	3.5	20.5	10	12	11	18	19
241155-*	ERM.44 SST-p-M6x16-*	44	M6	52	14.5	30	33	24.5	3.5	20.5	10	16	11	18	20
241157-*	ERM.44 SST-p-M6x20-*	44	M6	52	14.5	30	33	24.5	3.5	20.5	10	20	11	18	21
241159-*	ERM.44 SST-p-M6x25-*	44	M6	52	14.5	30	33	24.5	3.5	20.5	10	25	11	18	22
241161-*	ERM.44 SST-p-M6x32-*	44	M6	52	14.5	30	33	24.5	3.5	20.5	10	32	11	18	23
241163-*	ERM.44 SST-p-M6x40-*	44	M6	52	14.5	30	33	24.5	3.5	20.5	10	40	11	18	24
241165-*	ERM.44 SST-p-M6x50-*	44	M6	52	14.5	30	33	24.5	3.5	20.5	10	50	11	18	25
241235-*	ERM.63 SST-p-M6x16-*	63	M6	73.5	18	38	41	31	3.5	27	13.5	16	13.5	24	49
241237-*	ERM.63 SST-p-M6x20-*	63	M6	73.5	18	38	41	31	3.5	27	13.5	20	13.5	24	55
241239-*	ERM.63 SST-p-M6x25-*	63	M6	73.5	18	38	41	31	3.5	27	13.5	25	13.5	24	57
241241-*	ERM.63 SST-p-M6x32-*	63	M6	73.5	18	38	41	31	3.5	27	13.5	32	13.5	24	61
241243-*	ERM.63 SST-p-M6x40-*	63	M6	73.5	18	38	41	31	3.5	27	13.5	40	13.5	24	68
241245-*	ERM.63 SST-p-M6x50-*	63	M6	73.5	18	38	41	31	3.5	27	13.5	50	13.5	24	77
241247-*	ERM.63 SST-p-M6x63-*	63	M6	73.5	18	38	41	31	3.5	27	13.5	63	13.5	24	79
241253-*	ERM.63 SST-p-M8x16-*	63	M8	73.5	18	38	41	31	3.5	27	13.5	16	13.5	24	59
241255-*	ERM.63 SST-p-M8x20-*	63	M8	73.5	18	38	41	31	3.5	27	13.5	20	13.5	24	66
241257-*	ERM.63 SST-p-M8x25-*	63	M8	73.5	18	38	41	31	3.5	27	13.5	25	13.5	24	69
241259-*	ERM.63 SST-p-M8x32-*	63	M8	73.5	18	38	41	31	3.5	27	13.5	32	13.5	24	73
241261-*	ERM.63 SST-p-M8x40-*	63	M8	73.5	18	38	41	31	3.5	27	13.5	40	13.5	24	82
241263-*	ERM.63 SST-p-M8x50-*	63	M8	73.5	18	38	41	31	3.5	27	13.5	50	13.5	24	92
241265-*	ERM.63 SST-p-M8x63-*	63	M8	73.5	18	38	41	31	3.5	27	13.5	63	13.5	24	95
241335-*	ERM.78 SST-p-M8x20-*	78	M8	90.5	21.5	46	50	36	3.5	34.5	16	20	16	26	69
241337-*	ERM.78 SST-p-M8x25-*	78	M8	90.5	21.5	46	50	36	3.5	34.5	16	25	16	26	75
241339-*	ERM.78 SST-p-M8x32-*	78	M8	90.5	21.5	46	50	36	3.5	34.5	16	32	16	26	80
241341-*	ERM.78 SST-p-M8x40-*	78	M8	90.5	21.5	46	50	36	3.5	34.5	16	40	16	26	88
241343-*	ERM.78 SST-p-M8x50-*	78	M8	90.5	21.5	46	50	36	3.5	34.5	16	50	16	26	98
241345-*	ERM.78 SST-p-M8x63-*	78	M8	90.5	21.5	46	50	36	3.5	34.5	16	63	16	26	101
241347-*	ERM.78 SST-p-M8x80-*	78	M8	90.5	21.5	46	50	36	3.5	34.5	16	80	16	26	104
241353-*	ERM.78 SST-p-M10x20-*	78	M10	90.5	21.5	46	50	36	3.5	34.5	16	20	16	26	85
241355-*	ERM.78 SST-p-M10x25-*	78	M10	90.5	21.5	46	50	36	3.5	34.5	16	25	16	26	91
241357-*	ERM.78 SST-p-M10x32-*	78	M10	90.5	21.5	46	50	36	3.5	34.5	16	32	16	26	98
241359-*	ERM.78 SST-p-M10x40-*	78	M10	90.5	21.5	46	50	36	3.5	34.5	16	40	16	26	108
241361-*	ERM.78 SST-p-M10x50-*	78	M10	90.5	21.5	46	50	36	3.5	34.5	16	50	16	26	120
241363-*	ERM.78 SST-p-M10x63-*	78	M10	90.5	21.5	46	50	36	3.5	34.5	16	63	16	26	124
241365-*	ERM.78 SST-p-M10x80-*	78	M10	90.5	21.5	46	50	36	3.5	34.5	16	80	16	26	127
241425-*	ERM.95 SST-p-M10x20-*	95	M10	109	25	56	61	43	5	42	19	20	18	28	113
241427-*	ERM.95 SST-p-M10x25-*	95	M10	109	25	56	61	43	5	42	19	25	18	28	115
241429-*	ERM.95 SST-p-M10x32-*	95	M10	109	25	56	61	43	5	42	19	32	18	28	118
241431-*	ERM.95 SST-p-M10x40-*	95	M10	109	25	56	61	43	5	42	19	40	18	28	121
241433-*	ERM.95 SST-p-M10x50-*	95	M10	109	25	56	61	43	5	42	19	50	18	28	128
241435-*	ERM.95 SST-p-M10x63-*	95	M10	109	25	56	61	43	5	42	19	63	18	28	133
241437-*	ERM.95 SST-p-M10x80-*	95	M10	109	25	56	61	43	5	42	19	80	18	28	141
241449-*	ERM.95 SST-p-M12x20-*	95	M12	109	25	56	61	43	5	42	19	20	18	28	117
241451-*	ERM.95 SST-p-M12x25-*	95	M12	109	25	56	61	43	5	42	19	25	18	28	122
241453-*	ERM.95 SST-p-M12x32-*	95	M12	109	25	56	61	43	5	42	19	32	18	28	125
241455-*	ERM.95 SST-p-M12x40-*	95	M12	109	25	56	61	43	5	42	19	40	18	28	132
241457-*	ERM.95 SST-p-M12x50-*	95	M12	109	25	56	61	43	5	42	19	50	18	28	141
241459-*	ERM.95 SST-p-M12x63-*	95	M12	109	25	56	61	43	5	42	19	63	18	28	151
241461-*	ERM.95 SST-p-M12x80-*	95	M12	109	25	56	61	43	5	42	19	80	18	28	160