



## MATERIALE

- Volantino in tecnopolimero a base poliammidica (PA) rinforzato fibra vetro, colore nero, finitura mat.
- Prigioniero filettato in acciaio INOX AISI 303, estremità sferica.
- Spintore in tecnopolimero a base acetalica (POM), colore nero, finitura mat, fornito non montato.

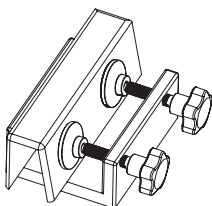
## CARATTERISTICHE E APPLICAZIONI

I volantini VC.692-SST-p-SV consentono un energico bloccaggio di un componente evitando, grazie allo spintore, un contatto diretto del prigioniero con la superficie da bloccare.

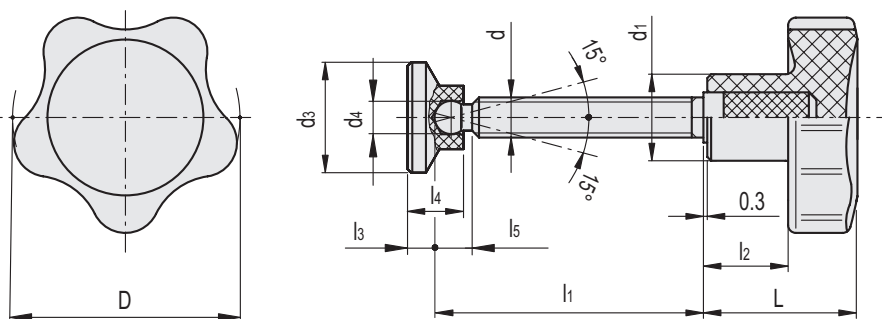
La parte metallica, realizzata in acciaio INOX AISI 303, è adatta all'uso in ambienti che richiedono l'impiego di materiali resistenti alla corrosione.



Esempio di applicazione



ELESA Original design



Codice	Descrizione	D	d6g	L	d1	d3	d4	l1	l2	l3	l4	l5	⚖
164001	VC.692/25 SST-p-M6x25-SV15	25	M6	20	12	15	4.5	25	10	3.5	7.5	5	16
164003	VC.692/25 SST-p-M6x35-SV15	25	M6	20	12	15	4.5	35	10	3.5	7.5	5	18
164005	VC.692/25 SST-p-M6x45-SV15	25	M6	20	12	15	4.5	45	10	3.5	7.5	5	19
164011	VC.692/25-SST-p-M6x25-SV18	25	M6	20	12	18	4.5	25	10	4	9	6	20
164013	VC.692/25-SST-p-M6x35-SV18	25	M6	20	12	18	4.5	35	10	4	9	6	21
164015	VC.692/25-SST-p-M6x45-SV18	25	M6	20	12	18	4.5	45	10	4	9	6	23
164021	VC.692/25-SST-p-M6x25-SV21	25	M6	20	12	21	4.5	25	10	5	10	6	20
164023	VC.692/25-SST-p-M6x35-SV21	25	M6	20	12	21	4.5	35	10	5	10	6	22
164025	VC.692/25-SST-p-M6x45-SV21	25	M6	20	12	21	4.5	45	10	5	10	6	24
164101	VC.692/32 SST-p-M6x25-SV15	32	M6	22.5	14	15	4.5	25	12.5	3.5	7.5	5	20
164103	VC.692/32 SST-p-M6x35-SV15	32	M6	22.5	14	15	4.5	35	12.5	3.5	7.5	5	21
164105	VC.692/32 SST-p-M6x45-SV15	32	M6	22.5	14	15	4.5	45	12.5	3.5	7.5	5	21
164081	VC.692/32-SST-p-M6x25-SV18	32	M6	22.5	14	18	4.5	25	12.5	4	9	6	20
164083	VC.692/32-SST-p-M6x35-SV18	32	M6	22.5	14	18	4.5	35	12.5	4	9	6	21
164085	VC.692/32-SST-p-M6x45-SV18	32	M6	22.5	14	18	4.5	45	12.5	4	9	6	21
164091	VC.692/32-SST-p-M6x25-SV21	32	M6	22.5	14	21	4.5	25	12.5	5	10	6	21
164093	VC.692/32-SST-p-M6x35-SV21	32	M6	22.5	14	21	4.5	35	12.5	5	10	6	22
164095	VC.692/32-SST-p-M6x45-SV21	32	M6	22.5	14	21	4.5	45	12.5	5	10	6	22
164111	VC.692/32-SST-p-M8x30-SV18	32	M8	22.5	14	18	6	30	12.5	4	9	6	34
164113	VC.692/32-SST-p-M8x40-SV18	32	M8	22.5	14	18	6	40	12.5	4	9	6	37
164115	VC.692/32-SST-p-M8x50-SV18	32	M8	22.5	14	18	6	50	12.5	4	9	6	32
164121	VC.692/32-SST-p-M8x30-SV21	32	M8	22.5	14	21	6	30	12.5	5	10	6	35
164123	VC.692/32-SST-p-M8x40-SV21	32	M8	22.5	14	21	6	40	12.5	5	10	6	38
164125	VC.692/32-SST-p-M8x50-SV21	32	M8	22.5	14	21	6	50	12.5	5	10	6	33

INOX STAINLESS STEEL

Codice	Descrizione	D	d6g	L	d1	d3	d4	l1	l2	l3	l4	l5	⚖
164131	VC.692/32-SST-p-M8x30-SV25	32	M8	22.5	14	25	6	30	12.5	5.5	10.5	6	35
164133	VC.692/32-SST-p-M8x40-SV25	32	M8	22.5	14	25	6	40	12.5	5.5	10.5	6	38
164135	VC.692/32-SST-p-M8x50-SV25	32	M8	22.5	14	25	6	50	12.5	5.5	10.5	6	33
164141	VC.692/32-SST-p-M8x30-SV32	32	M8	22.5	14	32	6	30	12.5	6	11	6	36
164143	VC.692/32-SST-p-M8x40-SV32	32	M8	22.5	14	32	6	40	12.5	6	11	6	39
164145	VC.692/32-SST-p-M8x50-SV32	32	M8	22.5	14	32	6	50	12.5	6	11	6	34
164151	VC.692/32-SST-p-M8x30-SV40	32	M8	22.5	14	40	6	30	12.5	8	13	6	36
164153	VC.692/32-SST-p-M8x40-SV40	32	M8	22.5	14	40	6	40	12.5	8	13	6	39
164155	VC.692/32-SST-p-M8x50-SV40	32	M8	22.5	14	40	6	50	12.5	8	13	6	34
164201	VC.692/40-SST-p-M8x30-SV18	40	M8	26	15	18	6	30	14	4	9	6	35
164203	VC.692/40-SST-p-M8x40-SV18	40	M8	26	15	18	6	40	14	4	9	6	38
164205	VC.692/40-SST-p-M8x50-SV18	40	M8	26	15	18	6	50	14	4	9	6	38
164211	VC.692/40-SST-p-M8x30-SV21	40	M8	26	15	21	6	30	14	5	10	6	36
164213	VC.692/40-SST-p-M8x40-SV21	40	M8	26	15	21	6	40	14	5	10	6	39
164215	VC.692/40-SST-p-M8x50-SV21	40	M8	26	15	21	6	50	14	5	10	6	39
164221	VC.692/40-SST-p-M8x30-SV25	40	M8	26	15	25	6	30	14	5.5	10.5	6	36
164223	VC.692/40-SST-p-M8x40-SV25	40	M8	26	15	25	6	40	14	5.5	10.5	6	39
164225	VC.692/40-SST-p-M8x50-SV25	40	M8	26	15	25	6	50	14	5.5	10.5	6	39
164231	VC.692/40-SST-p-M8x30-SV32	40	M8	26	15	32	6	30	14	6	11	6	37
164233	VC.692/40-SST-p-M8x40-SV32	40	M8	26	15	32	6	40	14	6	11	6	40
164235	VC.692/40-SST-p-M8x50-SV32	40	M8	26	15	32	6	50	14	6	11	6	40
164241	VC.692/40-SST-p-M8x30-SV40	40	M8	26	15	40	6	30	14	8	13	6	37
164243	VC.692/40-SST-p-M8x40-SV40	40	M8	26	15	40	6	40	14	8	13	6	40
164245	VC.692/40-SST-p-M8x50-SV40	40	M8	26	15	40	6	50	14	8	13	6	40
164251	VC.692/40 SST-p-M10x35-SV21	40	M10	26	15	21	8	35	14	4	10	7.5	46
164253	VC.692/40 SST-p-M10x45-SV21	40	M10	26	15	21	8	45	14	4	10	7.5	52
164255	VC.692/40 SST-p-M10x55-SV21	40	M10	26	15	21	8	55	14	4	10	7.5	56
164261	VC.692/40 SST-p-M10x35-SV25	40	M10	26	15	25	8	35	14	4.5	10.5	7.5	46
164263	VC.692/40 SST-p-M10x45-SV25	40	M10	26	15	25	8	45	14	4.5	10.5	7.5	52
164265	VC.692/40 SST-p-M10x55-SV25	40	M10	26	15	25	8	55	14	4.5	10.5	7.5	56
164271	VC.692/40 SST-p-M10x35-SV32	40	M10	26	15	32	8	35	14	5	11	7.5	50
164273	VC.692/40 SST-p-M10x45-SV32	40	M10	26	15	32	8	45	14	5	11	7.5	56
164275	VC.692/40 SST-p-M10x55-SV32	40	M10	26	15	32	8	55	14	5	11	7.5	60
164281	VC.692/40 SST-p-M10x35-SV40	40	M10	26	15	40	8	35	14	7	13	7.5	50
164283	VC.692/40 SST-p-M10x45-SV40	40	M10	26	15	40	8	45	14	7	13	7.5	56
164285	VC.692/40 SST-p-M10x55-SV40	40	M10	26	15	40	8	55	14	7	13	7.5	60
164301	VC.692/50-SST-p-M10x35-SV21	50	M10	31	18	21	8	35	17	4	10	7.5	62
164303	VC.692/50-SST-p-M10x45-SV21	50	M10	31	18	21	8	45	17	4	10	7.5	68
164305	VC.692/50-SST-p-M10x55-SV21	50	M10	31	18	21	8	55	17	4	10	7.5	72
164311	VC.692/50-SST-p-M10x35-SV25	50	M10	31	18	25	8	35	17	4.5	10.5	7.5	62
164313	VC.692/50-SST-p-M10x45-SV25	50	M10	31	18	25	8	45	17	4.5	10.5	7.5	68
164315	VC.692/50-SST-p-M10x55-SV25	50	M10	31	18	25	8	55	17	4.5	10.5	7.5	72
164321	VC.692/50-SST-p-M10x35-SV32	50	M10	31	18	32	8	35	17	5	11	7.5	66
164323	VC.692/50-SST-p-M10x45-SV32	50	M10	31	18	32	8	45	17	5	11	7.5	72
164325	VC.692/50-SST-p-M10x55-SV32	50	M10	31	18	32	8	55	17	5	11	7.5	76
164331	VC.692/50-SST-p-M10x35-SV40	50	M10	31	18	40	8	35	17	7	13	7.5	66
164333	VC.692/50-SST-p-M10x45-SV40	50	M10	31	18	40	8	45	17	7	13	7.5	72
164335	VC.692/50-SST-p-M10x55-SV40	50	M10	31	18	40	8	55	17	7	13	7.5	76
164401	VC.692/60-SST-p-M12x40-SV21	60	M12	36.5	21	21	10	40	21	3.5	10	8.5	170
164403	VC.692/60-SST-p-M12x60-SV21	60	M12	36.5	21	21	10	60	21	3.5	10	8.5	180
164411	VC.692/60-SST-p-M12x40-SV25	60	M12	36.5	21	25	10	40	21	3.5	10.5	8.5	170
164413	VC.692/60-SST-p-M12x60-SV25	60	M12	36.5	21	25	10	60	21	3.5	10.5	8.5	180
164421	VC.692/60-SST-p-M12x40-SV32	60	M12	36.5	21	32	10	40	21	4	11	8.5	170
164423	VC.692/60-SST-p-M12x60-SV32	60	M12	36.5	21	32	10	60	21	4	11	8.5	180
164431	VC.692/60-SST-p-M12x40-SV40	60	M12	36.5	21	40	10	40	21	6	13	8.5	170
164433	VC.692/60-SST-p-M12x60-SV40	60	M12	36.5	21	40	10	60	21	6	13	8.5	180



Elementi di serraggio