



1

SUPPORTI LATERALI

Tecnopolimero a base poliammidica (PA) rinforzato fibra vetro, colore nero, finitura mat. Forniti montati. La sede per l'alloggiamento del tubo nel supporto è conformata in modo da impedirne la rotazione.



2



3

ESECUZIONI STANDARD

Fori passanti per viti a testa cilindrica con cava esagonale.

- **M.1043-EP**: tubo in alluminio, rivestimento resina epossidica, colore grafite metallizzato, finitura mat. Alta resistenza a usura, graffi e agenti chimici. Evitare il contatto prolungato con acqua bollente o vapore acqueo.

- **M.1043-AN**: tubo in alluminio anodizzato, colore naturale.

- **M.1043-SST**: tubo in acciaio INOX AISI 304.



4



5



6

Fori ciechi filettati.

- **M.1043-BM-EP**: tubo in alluminio, rivestimento resina epossidica, colore grafite metallizzato, finitura mat. Alta resistenza a usura, graffi e agenti chimici. Evitare il contatto prolungato con acqua bollente o vapore acqueo.

- **M.1043-BM-AN**: tubo in alluminio anodizzato, colore naturale.

- **M.1043-BM-SST**: tubo in acciaio INOX AISI 304.



7



8



9



10

DATI TECNICI

Resistenza all'applicazione di un carico a trazione: i valori F2 riportati in tabella sono stati rilevati durante prove a rottura, mediante apposito apparecchio dinamometrico, nelle condizioni di prova raffigurate e a temperatura ambiente.



11

ACCESSORI A RICHIESTA

DS-M.1043: distanziali per supporto laterale con sede per il tubo Ø30 in tecnopolimero a base poliammidica (PA) per aumentare la distanza tra maniglia e superficie di fissaggio (vedi tabella).



12



13



14



15



16



17



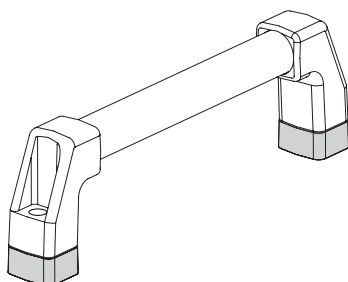
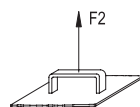
18



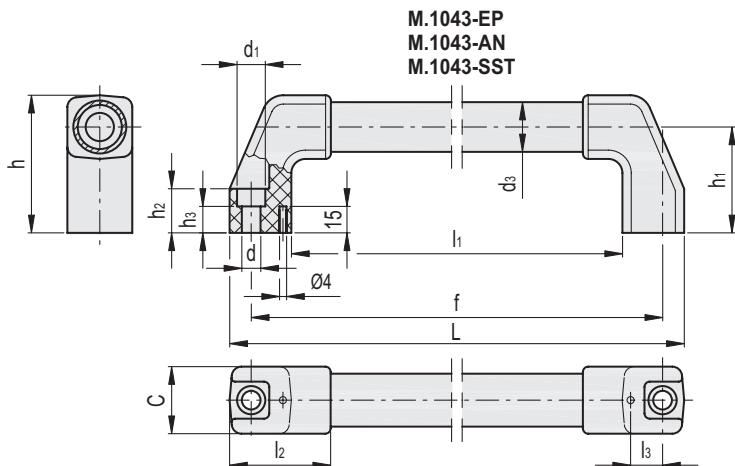
19



ELESA Original design

**DS-M.1043**

Codice	Descrizione	Per maniglia	Δ
15291	DS-M.1043/30-10	M.1043/30 / M.1043 BM/30	14
15293	DS-M.1043/30-20	M.1043/30 / M.1043 BM/30	23



M.1043-EP

M.1043-AN

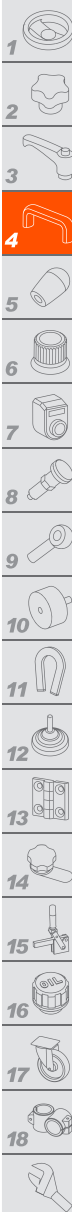
Codice	Descrizione	Codice	Descrizione	d3	ft1	L	d	d1	h	h1	h2	h3	l1	l2	l3	C	F2* [N]	F2# [N]	⚖
37624-R	M.1043/20-180-EP	37626-R	M.1043/20-180-AN	20	180	200	8.5	13.5	58	45	18	9.5	142	47	13	28	1500	2000	125
37621-R	M.1043/20-200-EP	37623-R	M.1043/20-200-AN	20	200	220	8.5	13.5	58	45	18	9.5	162	47	13	28	1500	2000	128
37627-R	M.1043/20-250-EP	37629-R	M.1043/20-250-AN	20	250	270	8.5	13.5	58	45	18	9.5	212	47	13	28	1500	2000	135
37631-R	M.1043/20-300-EP	37633-R	M.1043/20-300-AN	20	300	320	8.5	13.5	58	45	18	9.5	262	47	13	28	1500	2000	140
37641-R	M.1043/20-350-EP	37643-R	M.1043/20-350-AN	20	350	370	8.5	13.5	58	45	18	9.5	312	47	13	28	1400	1800	152
37651-R	M.1043/20-400-EP	37653-R	M.1043/20-400-AN	20	400	420	8.5	13.5	58	45	18	9.5	362	47	13	28	1200	1600	163
37661-R	M.1043/20-500-EP	37663-R	M.1043/20-500-AN	20	500	520	8.5	13.5	58	45	18	9.5	462	47	13	28	1000	1200	185
37671-R	M.1043/20-600-EP	37673-R	M.1043/20-600-AN	20	600	620	8.5	13.5	58	45	18	9.5	562	47	13	28	800	1000	210
37681-R	M.1043/20-700-EP	37683-R	M.1043/20-700-AN	20	700	720	8.5	13.5	58	45	18	9.5	662	47	13	28	600	900	232
37692-R	M.1043/30-180-EP	37694-R	M.1043/30-180-AN	30	180	204	10.5	16	78	60	25	15	134	57	18	38	3000	3900	228
37695-R	M.1043/30-200-EP	37697-R	M.1043/30-200-AN	30	200	224	10.5	16	78	60	25	15	154	57	18	38	3000	3900	233
37698-R	M.1043/30-250-EP	37700-R	M.1043/30-250-AN	30	250	274	10.5	16	78	60	25	15	204	57	18	38	3000	3900	245
37701-R	M.1043/30-300-EP	37703-R	M.1043/30-300-AN	30	300	324	10.5	16	78	60	25	15	254	57	18	38	3000	3900	255
37711-R	M.1043/30-350-EP	37713-R	M.1043/30-350-AN	30	350	374	10.5	16	78	60	25	15	304	57	18	38	2600	3500	277
37721-R	M.1043/30-400-EP	37723-R	M.1043/30-400-AN	30	400	424	10.5	16	78	60	25	15	354	57	18	38	2200	3300	295
37731-R	M.1043/30-500-EP	37733-R	M.1043/30-500-AN	30	500	524	10.5	16	78	60	25	15	454	57	18	38	1800	2400	337
37741-R	M.1043/30-600-EP	37743-R	M.1043/30-600-AN	30	600	624	10.5	16	78	60	25	15	554	57	18	38	1600	2000	378
37751-R	M.1043/30-700-EP	37753-R	M.1043/30-700-AN	30	700	724	10.5	16	78	60	25	15	654	57	18	38	1300	1800	417
37761-R	M.1043/30-1000-EP	37763-R	M.1043/30-1000-AN	30	1000	1024	10.5	16	78	60	25	15	954	57	18	38	1300	1800	417

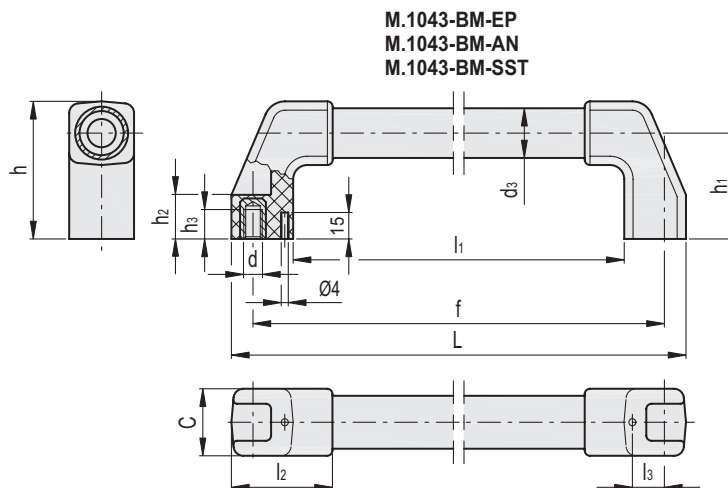
M.1043-SST



Codice	Descrizione	d3	ft1	L	d	d1	h	h1	h2	h3	l1	l2	l3	C	F2* [N]	F2# [N]	⚖
37625-R	M.1043/20-180-SST	20	180	200	8.5	13.5	58	45	18	9.5	142	47	13	28	1500	2000	124
37622-R	M.1043/20-200-SST	20	200	220	8.5	13.5	58	45	18	9.5	162	47	13	28	1500	2000	128
37628-R	M.1043/20-250-SST	20	250	270	8.5	13.5	58	45	18	9.5	212	47	13	28	1500	2000	135
37632-R	M.1043/20-300-SST	20	300	320	8.5	13.5	58	45	18	9.5	262	47	13	28	3000	4500	142
37642-R	M.1043/20-350-SST	20	350	370	8.5	13.5	58	45	18	9.5	312	47	13	28	2500	4000	154
37652-R	M.1043/20-400-SST	20	400	420	8.5	13.5	58	45	18	9.5	362	47	13	28	2000	3500	166
37662-R	M.1043/20-500-SST	20	500	520	8.5	13.5	58	45	18	9.5	462	47	13	28	1600	2500	190
37672-R	M.1043/20-600-SST	20	600	620	8.5	13.5	58	45	18	9.5	562	47	13	28	1100	1800	215
37682-R	M.1043/20-700-SST	20	700	720	8.5	13.5	58	45	18	9.5	662	47	13	28	900	1400	240
37693-R	M.1043/30-180-SST	30	180	204	10.5	16	78	60	25	15	134	57	18	38	3000	3900	228
37696-R	M.1043/30-200-SST	30	200	224	10.5	16	78	60	25	15	154	57	18	38	3000	3900	233
37699-R	M.1043/30-250-SST	30	250	274	10.5	16	78	60	25	15	204	57	18	38	3000	3900	245
37702-R	M.1043/30-300-SST	30	300	324	10.5	16	78	60	25	15	254	57	18	38	4200	5500	258
37712-R	M.1043/30-350-SST	30	350	374	10.5	16	78	60	25	15	304	57	18	38	4000	5250	282
37722-R	M.1043/30-400-SST	30	400	424	10.5	16	78	60	25	15	354	57	18	38	3800	5000	302
37732-R	M.1043/30-500-SST	30	500	524	10.5	16	78	60	25	15	454	57	18	38	3500	4500	343
37742-R	M.1043/30-600-SST	30	600	624	10.5	16	78	60	25	15	554	57	18	38	2800	4000	385
37752-R	M.1043/30-700-SST	30	700	724	10.5	16	78	60	25	15	654	57	18	38	2250	3500	425
37762-R	M.1043/30-1000-SST	30	1000	1024	10.5	16	78	60	25	15	954	57	18	38	2250	3500	425

* Carico massimo di esercizio # Carico di rottura.





M.1043-BM-EP

M.1043-BM-AN

Codice	Descrizione	Codice	Descrizione	d3	f±1	L	d	h	h1	h2	h3	l1	l2	l3	C	F2* [N]	F2# [N]	⚖️
37558-R	M.1043 BM/20-180-EP	37578-R	M.1043 BM/20-180-AN	20	180	200	M8	58	45	18	9.5	142	47	13	28	1500	2000	125
37560-R	M.1043 BM/20-200-EP	37580-R	M.1043 BM/20-200-AN	20	200	220	M8	58	45	18	10	162	47	13	28	1500	2000	128
37559-R	M.1043 BM/20-250-EP	37584-R	M.1043 BM/20-250-AN	20	250	270	M8	58	45	18	10	212	47	13	28	1500	2000	135
37561-R	M.1043 BM/20-300-EP	37581-R	M.1043 BM/20-300-AN	20	300	320	M8	58	45	18	10	262	47	13	28	1500	2000	140
37562-R	M.1043 BM/20-350-EP	37582-R	M.1043 BM/20-350-AN	20	350	370	M8	58	45	18	10	312	47	13	28	1400	1800	152
37563-R	M.1043 BM/20-400-EP	37583-R	M.1043 BM/20-400-AN	20	400	420	M8	58	45	18	10	362	47	13	28	1200	1600	163
37565-R	M.1043 BM/20-500-EP	37585-R	M.1043 BM/20-500-AN	20	500	520	M8	58	45	18	10	462	47	13	28	1000	1200	185
37567-R	M.1043 BM/20-600-EP	37587-R	M.1043 BM/20-600-AN	20	600	620	M8	58	45	18	10	562	47	13	28	800	1000	210
37569-R	M.1043 BM/20-700-EP	37589-R	M.1043 BM/20-700-AN	20	700	720	M8	58	45	18	10	662	47	13	28	600	900	232
37568-R	M.1043 BM/30-180-EP	37588-R	M.1043 BM/30-180-AN	30	180	204	M10	78	60	25	15	134	57	18	38	3000	3900	228
37570-R	M.1043 BM/30-200-EP	37590-R	M.1043 BM/30-200-AN	30	200	224	M10	78	60	25	17	154	57	18	38	3000	3900	233
37574-R	M.1043 BM/30-250-EP	37594-R	M.1043 BM/30-250-AN	30	250	274	M10	78	60	25	17	204	57	18	38	3000	3900	245
37571-R	M.1043 BM/30-300-EP	37591-R	M.1043 BM/30-300-AN	30	300	324	M10	78	60	25	17	254	57	18	38	3000	3900	255
37572-R	M.1043 BM/30-350-EP	37592-R	M.1043 BM/30-350-AN	30	350	374	M10	78	60	25	17	304	57	18	38	2600	3500	277
37573-R	M.1043 BM/30-400-EP	37593-R	M.1043 BM/30-400-AN	30	400	424	M10	78	60	25	17	354	57	18	38	2200	3300	295
37575-R	M.1043 BM/30-500-EP	37595-R	M.1043 BM/30-500-AN	30	500	524	M10	78	60	25	17	454	57	18	38	1800	2400	337
37577-R	M.1043 BM/30-600-EP	37597-R	M.1043 BM/30-600-AN	30	600	624	M10	78	60	25	17	554	57	18	38	1600	2000	378
37579-R	M.1043 BM/30-700-EP	37599-R	M.1043 BM/30-700-AN	30	700	724	M10	78	60	25	17	654	57	18	38	1300	1800	417
37576-R	M.1043 BM/30-1000-EP	37596-R	M.1043 BM/30-1000-AN	30	1000	1024	M10	78	60	25	17	954	57	18	38	1300	1800	417

M.1043-BM-SST



Codice	Descrizione	d3	f±1	L	d	h	h1	h2	h3	l1	l2	l3	C	F2* [N]	F2# [N]	⚖️
37598-R	M.1043 BM/20-180-SST	20	180	200	M8	58	45	18	9.5	142	47	13	28	1500	2000	126
37604-R	M.1043 BM/20-200-SST	20	200	220	M8	58	45	18	9.5	162	47	13	28	1500	2000	128
37601-R	M.1043 BM/20-250-SST	20	250	270	M8	58	45	18	9.5	212	47	13	28	1500	2000	135
37600-R	M.1043 BM/20-300-SST	20	300	320	M8	58	45	18	10	262	47	13	28	3000	4500	142
37602-R	M.1043 BM/20-350-SST	20	350	370	M8	58	45	18	10	312	47	13	28	2500	4000	154
37603-R	M.1043 BM/20-400-SST	20	400	420	M8	58	45	18	10	362	47	13	28	2000	3500	166
37605-R	M.1043 BM/20-500-SST	20	500	520	M8	58	45	18	10	462	47	13	28	1600	2500	190
37607-R	M.1043 BM/20-600-SST	20	600	620	M8	58	45	18	10	562	47	13	28	1100	1800	215
37609-R	M.1043 BM/20-700-SST	20	700	720	M8	58	45	18	10	662	47	13	28	900	1400	240
37608-R	M.1043 BM/30-180-SST	30	180	204	M10	78	60	25	15	134	57	18	38	3000	3900	228
37610-R	M.1043 BM/30-200-SST	30	200	224	M10	78	60	25	15	154	57	18	38	3000	3900	233
37614-R	M.1043 BM/30-250-SST	30	250	274	M10	78	60	25	15	204	57	18	38	3000	3900	245
37611-R	M.1043 BM/30-300-SST	30	300	324	M10	78	60	25	17	254	57	18	38	4200	5500	258
37612-R	M.1043 BM/30-350-SST	30	350	374	M10	78	60	25	17	304	57	18	38	4000	5250	282
37613-R	M.1043 BM/30-400-SST	30	400	424	M10	78	60	25	17	354	57	18	38	3800	5000	302
37615-R	M.1043 BM/30-500-SST	30	500	524	M10	78	60	25	17	454	57	18	38	3500	4500	343
37617-R	M.1043 BM/30-600-SST	30	600	624	M10	78	60	25	17	554	57	18	38	2800	4000	385
37619-R	M.1043 BM/30-700-SST	30	700	724	M10	78	60	25	17	654	57	18	38	2250	3500	425
37620-R	M.1043 BM/30-1000-SST	30	1000	1024	M10	78	60	25	17	954	57	18	38	2250	3500	425

* Carico massimo di esercizio # Carico di rottura.