

- 1
- 2
- 3
- 4
- 5
- 6
- 7
- 8
- 9
- 10
- 11
- 12
- 13
- 14
- 15
- 16
- 17
- 18

ESECUZIONI STANDARD

Base con fori per fissaggio a terra in acciaio INOX AISI 304 con stelo oppure snodo cieco filettato in acciaio INOX AISI 303.

- Vite e dado in acciaio INOX AISI 304.
- **LMY.F**: con esagono di regolazione.
- **LMY.F-HS**: con cava esagonale all'estremità superiore e facce piane fresate alla base.
- **LMY.F-EH**: con estremità superiore esagonale e facce piane fresate alla base.
- **LMY.F-HV**: con bussola regolabile di protezione della filettatura, in acciaio INOX AISI 303 e facce piane fresate alla base.
- **suffisso AS**: con disco antiscivolo in gomma NBR (PERBUNAN), durezza da 70 shore A, colore nero.

CARATTERISTICHE

La convessità della base nel punto d'appoggio dello stelo riduce il deposito di sporco e facilita la pulizia del pezzo.

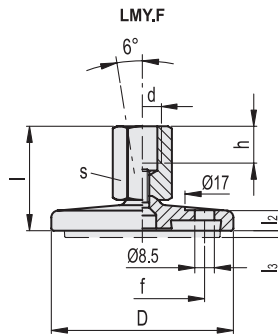
La bussola che copre la parte filettata dello stelo (LMY.F-HV) è regolabile e riduce a sua volta il deposito di sporco.

DATI TECNICI

I valori di carico statico indicati in tabella si riferiscono a prove di laboratorio con applicazione del carico perpendicolare alla base.

Essi sono da considerarsi puramente indicativi e devono essere verificati nelle specifiche condizioni di utilizzo.

In condizioni di impiego reali, devono essere tenute in considerazione anche eventuali sollecitazioni laterali o angolari che ne riducano la portata. Sarà cura dell'utilizzatore determinare caso per caso se il prodotto è adatto per l'impiego previsto.



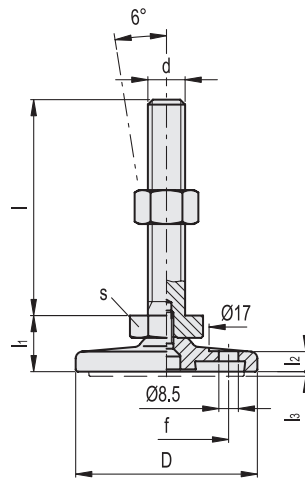
LMY.F (d)

LMY.F-AS (d)

Codice	Descrizione	Codice	Descrizione	D	d	l	l2	l3#	h	s	f	Carico statico [N]
408001	LMY.F-80-SST-M8	408151	LMY.F-80-AS-SST-M8	80	M8	34	8.5	2	8	14	54.5	17000
408002	LMY.F-80-SST-M10	408152	LMY.F-80-AS-SST-M10	80	M10	37	8.5	2	10	14	54.5	17000
408003	LMY.F-80-SST-M12	408153	LMY.F-80-AS-SST-M12	80	M12	40	8.5	2	12	17	54.5	17000
408004	LMY.F-80-SST-M16	408154	LMY.F-80-AS-SST-M16	80	M16	46	8.5	2	16	22	54.5	17000
408005	LMY.F-80-SST-M20	408155	LMY.F-80-AS-SST-M20	80	M20	54	8.5	2	20	27	54.5	28000
408007	LMY.F-100-SST-M8	408157	LMY.F-100-AS-SST-M8	100	M8	35	9	3	8	14	70.5	17000
408008	LMY.F-100-SST-M10	408158	LMY.F-100-AS-SST-M10	100	M10	38	9	3	10	14	70.5	17000
408009	LMY.F-100-SST-M12	408159	LMY.F-100-AS-SST-M12	100	M12	41	9	3	12	17	70.5	17000
408010	LMY.F-100-SST-M16	408160	LMY.F-100-AS-SST-M16	100	M16	47	9	3	16	22	70.5	17000
408011	LMY.F-100-SST-M20	408161	LMY.F-100-AS-SST-M20	100	M20	55	9	3	20	27	70.5	28000
408013	LMY.F-120-SST-M20	408163	LMY.F-120-AS-SST-M20	120	M20	59	12	3.5	20	27	95	28000



Piedini di livellamento e supporti



LMY.F (d - l)

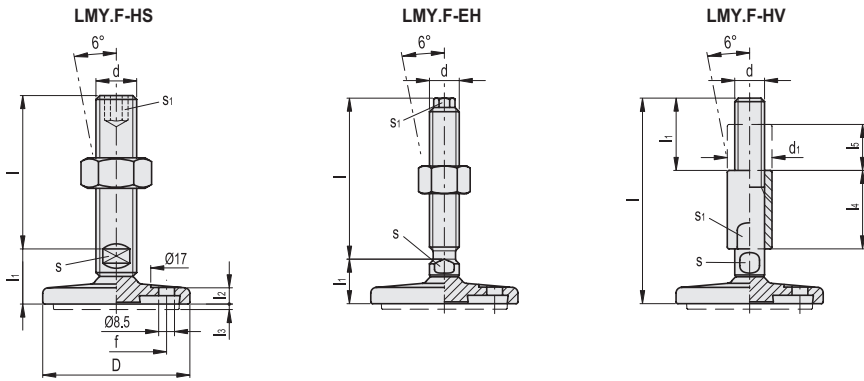
LMY.F-AS (d - l)



Codice	Descrizione	Codice	Descrizione	D	d	l	l1	l2	l3#	s	f	Carico statico [N]
408016	LMY.F-80-SST-M8x40	408166	LMY.F-80-AS-SST-M8x40	80	M8	40	19.5	8.5	2	17	54.5	6000
408017	LMY.F-80-SST-M8x50	408167	LMY.F-80-AS-SST-M8x50	80	M8	50	19.5	8.5	2	17	54.5	6000
408018	LMY.F-80-SST-M8x63	408168	LMY.F-80-AS-SST-M8x63	80	M8	63	19.5	8.5	2	17	54.5	6000
408020	LMY.F-80-SST-M10x50	408170	LMY.F-80-AS-SST-M10x50	80	M10	50	19.5	8.5	2	17	54.5	11000
408021	LMY.F-80-SST-M10x60	408171	LMY.F-80-AS-SST-M10x60	80	M10	60	19.5	8.5	2	17	54.5	11000
408022	LMY.F-80-SST-M10x80	408172	LMY.F-80-AS-SST-M10x80	80	M10	80	19.5	8.5	2	17	54.5	11000
408023	LMY.F-80-SST-M10x100	408173	LMY.F-80-AS-SST-M10x100	80	M10	100	19.5	8.5	2	17	54.5	11000
408025	LMY.F-80-SST-M12x60	408175	LMY.F-80-AS-SST-M12x60	80	M12	60	19.5	8.5	2	17	54.5	16000
408026	LMY.F-80-SST-M12x80	408176	LMY.F-80-AS-SST-M12x80	80	M12	80	19.5	8.5	2	17	54.5	16000
408027	LMY.F-80-SST-M12x100	408177	LMY.F-80-AS-SST-M12x100	80	M12	100	19.5	8.5	2	17	54.5	16000
408028	LMY.F-80-SST-M12x125	408178	LMY.F-80-AS-SST-M12x125	80	M12	125	19.5	8.5	2	17	54.5	16000
408071	LMY.F-100-SST-M8x40	408221	LMY.F-100-AS-SST-M8x40	100	M8	40	20.5	9	3	17	70.5	6000
408072	LMY.F-100-SST-M8x50	408222	LMY.F-100-AS-SST-M8x50	100	M8	50	20.5	9	3	17	70.5	6000
408073	LMY.F-100-SST-M8x63	408223	LMY.F-100-AS-SST-M8x63	100	M8	63	20.5	9	3	17	70.5	6000
408075	LMY.F-100-SST-M10x50	408225	LMY.F-100-AS-SST-M10x50	100	M10	50	20.5	9	3	17	70.5	11000
408076	LMY.F-100-SST-M10x60	408226	LMY.F-100-AS-SST-M10x60	100	M10	60	20.5	9	3	17	70.5	11000
408077	LMY.F-100-SST-M10x80	408227	LMY.F-100-AS-SST-M10x80	100	M10	80	20.5	9	3	17	70.5	11000
408078	LMY.F-100-SST-M10x100	408228	LMY.F-100-AS-SST-M10x100	100	M10	100	20.5	9	3	17	70.5	11000
408080	LMY.F-100-SST-M12x60	408230	LMY.F-100-AS-SST-M12x60	100	M12	60	20.5	9	3	17	70.5	16000
408081	LMY.F-100-SST-M12x80	408231	LMY.F-100-AS-SST-M12x80	100	M12	80	20.5	9	3	17	70.5	16000
408082	LMY.F-100-SST-M12x100	408232	LMY.F-100-AS-SST-M12x100	100	M12	100	20.5	9	3	17	70.5	16000
408083	LMY.F-100-SST-M12x125	408233	LMY.F-100-AS-SST-M12x125	100	M12	125	20.5	9	3	17	70.5	16000

Valore con disco antiscivolo montato.





LMY.F-HS

LMY.F-AS-HS

Codice	Descrizione	Codice	Descrizione	D	d	l	l1	l2	l3#	s	s1	f	Carico statico [N]
408031	LMY.F-80-SST-M16x75-HS	408181	LMY.F-80-AS-SST-M16x75-HS	80	M16	75	25.5	8.5	2	12	8	54.5	17000
408033	LMY.F-80-SST-M16x100-HS	408183	LMY.F-80-AS-SST-M16x100-HS	80	M16	100	25.5	8.5	2	12	8	54.5	17000
408036	LMY.F-80-SST-M16x125-HS	408186	LMY.F-80-AS-SST-M16x125-HS	80	M16	125	25.5	8.5	2	12	8	54.5	17000
408039	LMY.F-80-SST-M16x150-HS	408189	LMY.F-80-AS-SST-M16x150-HS	80	M16	150	25.5	8.5	2	12	8	54.5	17000
408042	LMY.F-80-SST-M16x200-HS	408192	LMY.F-80-AS-SST-M16x200-HS	80	M16	200	25.5	8.5	2	12	8	54.5	17000
408044	LMY.F-80-SST-M20x75-HS	408194	LMY.F-80-AS-SST-M20x75-HS	80	M20	75	27	8.5	2	15	10	54.5	28000
408046	LMY.F-80-SST-M20x100-HS	408196	LMY.F-80-AS-SST-M20x100-HS	80	M20	100	27	8.5	2	15	10	54.5	28000
408048	LMY.F-80-SST-M20x125-HS	408198	LMY.F-80-AS-SST-M20x125-HS	80	M20	125	27	8.5	2	15	10	54.5	28000
408051	LMY.F-80-SST-M20x150-HS	408201	LMY.F-80-AS-SST-M20x150-HS	80	M20	150	27	8.5	2	15	10	54.5	28000
408055	LMY.F-80-SST-M20x200-HS	408205	LMY.F-80-AS-SST-M20x200-HS	80	M20	200	27	8.5	2	15	10	54.5	28000
408059	LMY.F-80-SST-M24x100-HS	408209	LMY.F-80-AS-SST-M24x100-HS	80	M24	100	30.5	8.5	2	19	12	54.5	46000
408060	LMY.F-80-SST-M24x125-HS	408210	LMY.F-80-AS-SST-M24x125-HS	80	M24	125	30.5	8.5	2	19	12	54.5	46000
408062	LMY.F-80-SST-M24x150-HS	408212	LMY.F-80-AS-SST-M24x150-HS	80	M24	150	30.5	8.5	2	19	12	54.5	46000
408065	LMY.F-80-SST-M24x200-HS	408215	LMY.F-80-AS-SST-M24x200-HS	80	M24	200	30.5	8.5	2	19	12	54.5	46000
408086	LMY.F-100-SST-M16x75-HS	408236	LMY.F-100-AS-SST-M16x75-HS	100	M16	75	26.5	9	3	12	8	70.5	17000
408088	LMY.F-100-SST-M16x100-HS	408238	LMY.F-100-AS-SST-M16x100-HS	100	M16	100	26.5	9	3	12	8	70.5	17000
408091	LMY.F-100-SST-M16x125-HS	408241	LMY.F-100-AS-SST-M16x125-HS	100	M16	125	26.5	9	3	12	8	70.5	17000
408094	LMY.F-100-SST-M16x150-HS	408244	LMY.F-100-AS-SST-M16x150-HS	100	M16	150	26.5	9	3	12	8	70.5	17000
408097	LMY.F-100-SST-M16x200-HS	408247	LMY.F-100-AS-SST-M16x200-HS	100	M16	200	26.5	9	3	12	8	70.5	17000
408099	LMY.F-100-SST-M20x75-HS	408249	LMY.F-100-AS-SST-M20x75-HS	100	M20	75	28	9	3	15	10	70.5	28000
408101	LMY.F-100-SST-M20x100-HS	408251	LMY.F-100-AS-SST-M20x100-HS	100	M20	100	28	9	3	15	10	70.5	28000
408103	LMY.F-100-SST-M20x125-HS	408253	LMY.F-100-AS-SST-M20x125-HS	100	M20	125	28	9	3	15	10	70.5	28000
408106	LMY.F-100-SST-M20x150-HS	408256	LMY.F-100-AS-SST-M20x150-HS	100	M20	150	28	9	3	15	10	70.5	28000
408110	LMY.F-100-SST-M20x200-HS	408260	LMY.F-100-AS-SST-M20x200-HS	100	M20	200	28	9	3	15	10	70.5	28000
408114	LMY.F-100-SST-M24x100-HS	408264	LMY.F-100-AS-SST-M24x100-HS	100	M24	100	31.5	9	3	19	12	70.5	46000
408115	LMY.F-100-SST-M24x125-HS	408265	LMY.F-100-AS-SST-M24x125-HS	100	M24	125	31.5	9	3	19	12	70.5	46000
408117	LMY.F-100-SST-M24x150-HS	408267	LMY.F-100-AS-SST-M24x150-HS	100	M24	150	31.5	9	3	19	12	70.5	46000
408120	LMY.F-100-SST-M24x200-HS	408270	LMY.F-100-AS-SST-M24x200-HS	100	M24	200	31.5	9	3	19	12	70.5	46000
408126	LMY.F-120-SST-M20x75-HS	408276	LMY.F-120-AS-SST-M20x75-HS	120	M20	75	32	12	3.5	15	10	95	28000
408127	LMY.F-120-SST-M20x100-HS	408277	LMY.F-120-AS-SST-M20x100-HS	120	M20	100	32	12	3.5	15	10	95	28000
408128	LMY.F-120-SST-M20x125-HS	408278	LMY.F-120-AS-SST-M20x125-HS	120	M20	125	32	12	3.5	15	10	95	28000
408129	LMY.F-120-SST-M20x150-HS	408279	LMY.F-120-AS-SST-M20x150-HS	120	M20	150	32	12	3.5	15	10	95	28000
408130	LMY.F-120-SST-M20x200-HS	408280	LMY.F-120-AS-SST-M20x200-HS	120	M20	200	32	12	3.5	15	10	95	28000
408132	LMY.F-120-SST-M24x100-HS	408282	LMY.F-120-AS-SST-M24x100-HS	120	M24	100	35.5	12	3.5	19	12	95	46000
408133	LMY.F-120-SST-M24x125-HS	408283	LMY.F-120-AS-SST-M24x125-HS	120	M24	125	35.5	12	3.5	19	12	95	46000
408134	LMY.F-120-SST-M24x150-HS	408284	LMY.F-120-AS-SST-M24x150-HS	120	M24	150	35.5	12	3.5	19	12	95	46000
408135	LMY.F-120-SST-M24x200-HS	408285	LMY.F-120-AS-SST-M24x200-HS	120	M24	200	35.5	12	3.5	19	12	95	46000
408137	LMY.F-120-SST-M30x100-HS	408287	LMY.F-120-AS-SST-M30x100-HS	120	M30	100	39.5	12	3.5	24	12	95	43000
408138	LMY.F-120-SST-M30x125-HS	408288	LMY.F-120-AS-SST-M30x125-HS	120	M30	125	39.5	12	3.5	24	12	95	43000
408139	LMY.F-120-SST-M30x150-HS	408289	LMY.F-120-AS-SST-M30x150-HS	120	M30	150	39.5	12	3.5	24	12	95	43000
408140	LMY.F-120-SST-M30x200-HS	408290	LMY.F-120-AS-SST-M30x200-HS	120	M30	200	39.5	12	3.5	24	12	95	43000

Piedini di livellamento e supporti

LMY.F-EH

LMY.F-AS-EH



Codice	Descrizione	Codice	Descrizione	D	d	l	l1	l2	l3#	s	st	f	Carico statico [N]
408030	LMY.F-80-SST-M16x75-EH	408180	LMY.F-80-AS-SST-M16x75-EH	80	M16	75	21.5	8.5	2	12	10	54.5	21000
408032	LMY.F-80-SST-M16x100-EH	408182	LMY.F-80-AS-SST-M16x100-EH	80	M16	100	21.5	8.5	2	12	10	54.5	21000
408035	LMY.F-80-SST-M16x125-EH	408185	LMY.F-80-AS-SST-M16x125-EH	80	M16	125	21.5	8.5	2	12	10	54.5	21000
408038	LMY.F-80-SST-M16x150-EH	408188	LMY.F-80-AS-SST-M16x150-EH	80	M16	150	21.5	8.5	2	12	10	54.5	21000
408045	LMY.F-80-SST-M20x100-EH	408195	LMY.F-80-AS-SST-M20x100-EH	80	M20	100	23	8.5	2	16	13	54.5	35000
408047	LMY.F-80-SST-M20x125-EH	408197	LMY.F-80-AS-SST-M20x125-EH	80	M20	125	23	8.5	2	16	13	54.5	35000
408050	LMY.F-80-SST-M20x150-EH	408200	LMY.F-80-AS-SST-M20x150-EH	80	M20	150	23	8.5	2	16	13	54.5	35000
408054	LMY.F-80-SST-M20x200-EH	408204	LMY.F-80-AS-SST-M20x200-EH	80	M20	200	23	8.5	2	16	13	54.5	35000
408058	LMY.F-80-SST-M24x100-EH	408208	LMY.F-80-AS-SST-M24x100-EH	80	M24	100	26	8.5	2	20	17	54.5	52000
408061	LMY.F-80-SST-M24x150-EH	408211	LMY.F-80-AS-SST-M24x150-EH	80	M24	150	26	8.5	2	20	17	54.5	52000
408064	LMY.F-80-SST-M24x200-EH	408214	LMY.F-80-AS-SST-M24x200-EH	80	M24	200	26	8.5	2	20	17	54.5	52000
408085	LMY.F-100-SST-M16x75-EH	408235	LMY.F-100-AS-SST-M16x75-EH	100	M16	75	22.5	9	3	12	10	70.5	21000
408087	LMY.F-100-SST-M16x100-EH	408237	LMY.F-100-AS-SST-M16x100-EH	100	M16	100	22.5	9	3	12	10	70.5	21000
408090	LMY.F-100-SST-M16x125-EH	408240	LMY.F-100-AS-SST-M16x125-EH	100	M16	125	22.5	9	3	12	10	70.5	21000
408093	LMY.F-100-SST-M16x150-EH	408243	LMY.F-100-AS-SST-M16x150-EH	100	M16	150	22.5	9	3	12	10	70.5	21000
408100	LMY.F-100-SST-M20x100-EH	408250	LMY.F-100-AS-SST-M20x100-EH	100	M20	100	24	9	3	16	13	70.5	35000
408102	LMY.F-100-SST-M20x125-EH	408252	LMY.F-100-AS-SST-M20x125-EH	100	M20	125	24	9	3	16	13	70.5	35000
408105	LMY.F-100-SST-M20x150-EH	408255	LMY.F-100-AS-SST-M20x150-EH	100	M20	150	24	9	3	16	13	70.5	35000
408109	LMY.F-100-SST-M20x200-EH	408259	LMY.F-100-AS-SST-M20x200-EH	100	M20	200	24	9	3	16	13	70.5	35000
408113	LMY.F-100-SST-M24x100-EH	408263	LMY.F-100-AS-SST-M24x100-EH	100	M24	100	27	9	3	20	17	70.5	52000
408116	LMY.F-100-SST-M24x150-EH	408266	LMY.F-100-AS-SST-M24x150-EH	100	M24	150	27	9	3	20	17	70.5	52000
408119	LMY.F-100-SST-M24x200-EH	408269	LMY.F-100-AS-SST-M24x200-EH	100	M24	200	27	9	3	20	17	70.5	52000

LMY.F-HV

LMY.F-AS-HV



Codice	Descrizione	Codice	Descrizione	D	d	d1	l	l1	l2	l3#	l4	l5	s	st	f	Carico statico [N]
408034	LMY.F-80-SST-M16x118-HV	408184	LMY.F-80-AS-SST-M16x118-HV	80	M16	24	118	45	8.5	2	45	29	12	20	54.5	25000
408037	LMY.F-80-SST-M16x143-HV	408187	LMY.F-80-AS-SST-M16x143-HV	80	M16	24	143	45	8.5	2	45	29	12	20	54.5	25000
408040	LMY.F-80-SST-M16x168-HV	408190	LMY.F-80-AS-SST-M16x168-HV	80	M16	24	168	45	8.5	2	45	29	12	20	54.5	25000
408041	LMY.F-80-SST-M16x193-HV	408191	LMY.F-80-AS-SST-M16x193-HV	80	M16	24	193	45	8.5	2	45	29	12	20	54.5	25000
408049	LMY.F-80-SST-M20x143-HV	408199	LMY.F-80-AS-SST-M20x143-HV	80	M20	30	143	56	8.5	2	56	36	16	24	54.5	35000
408052	LMY.F-80-SST-M20x168-HV	408202	LMY.F-80-AS-SST-M20x168-HV	80	M20	30	168	56	8.5	2	56	36	16	24	54.5	35000
408053	LMY.F-80-SST-M20x193-HV	408203	LMY.F-80-AS-SST-M20x193-HV	80	M20	30	193	56	8.5	2	56	36	16	24	54.5	35000
408056	LMY.F-80-SST-M20x243-HV	408206	LMY.F-80-AS-SST-M20x243-HV	80	M20	30	243	56	8.5	2	56	36	16	24	54.5	35000
408063	LMY.F-80-SST-M24x168-HV	408213	LMY.F-80-AS-SST-M24x168-HV	80	M24	35	168	67	8.5	2	67	42	20	30	54.5	52000
408066	LMY.F-80-SST-M24x218-HV	408216	LMY.F-80-AS-SST-M24x218-HV	80	M24	35	218	67	8.5	2	67	42	20	30	54.5	52000
408067	LMY.F-80-SST-M24x268-HV	408217	LMY.F-80-AS-SST-M24x268-HV	80	M24	35	268	67	8.5	2	67	42	20	30	54.5	52000
408089	LMY.F-100-SST-M16x119-HV	408239	LMY.F-100-AS-SST-M16x119-HV	100	M16	24	119	45	9	3	45	32	12	20	70.5	25000
408092	LMY.F-100-SST-M16x144-HV	408242	LMY.F-100-AS-SST-M16x144-HV	100	M16	24	144	45	9	3	45	32	12	20	70.5	25000
408095	LMY.F-100-SST-M16x169-HV	408245	LMY.F-100-AS-SST-M16x169-HV	100	M16	24	169	45	9	3	45	32	12	20	70.5	25000
408096	LMY.F-100-SST-M16x194-HV	408246	LMY.F-100-AS-SST-M16x194-HV	100	M16	24	194	45	9	3	45	32	12	20	70.5	25000
408104	LMY.F-100-SST-M20x144-HV	408254	LMY.F-100-AS-SST-M20x144-HV	100	M20	30	144	56	9	3	56	40	16	24	70.5	35000
408107	LMY.F-100-SST-M20x169-HV	408257	LMY.F-100-AS-SST-M20x169-HV	100	M20	30	169	56	9	3	56	40	16	24	70.5	35000
408108	LMY.F-100-SST-M20x194-HV	408258	LMY.F-100-AS-SST-M20x194-HV	100	M20	30	194	56	9	3	56	40	16	24	70.5	35000
408111	LMY.F-100-SST-M20x244-HV	408261	LMY.F-100-AS-SST-M20x244-HV	100	M20	30	244	56	9	3	56	40	16	24	70.5	35000
408118	LMY.F-100-SST-M24x169-HV	408268	LMY.F-100-AS-SST-M24x169-HV	100	M24	35	169	67	9	3	67	48	20	30	70.5	52000
408121	LMY.F-100-SST-M24x219-HV	408271	LMY.F-100-AS-SST-M24x219-HV	100	M24	35	219	67	9	3	67	48	20	30	70.5	52000
408122	LMY.F-100-SST-M24x269-HV	408272	LMY.F-100-AS-SST-M24x269-HV	100	M24	35	269	67	9	3	67	48	20	30	70.5	52000

Valore con disco antiscivolo montato.

