

- 1
- 2
- 3
- 4
- 5
- 6
- 7
- 8
- 9
- 10
- 11
- 12
- 13
- 14
- 15
- 16
- 17
- 18

ESECUZIONI STANDARD

Base con snodo o stelo filettato con dado in acciaio zincato.

- LMP.F (d): snodo cieco filettato, senza antiscivolo.

- LMP.F-TR (d): snodo cieco filettato.

Antiscivolo in elastomero termoplastico (TPE).

- LMP.F-TV (d): snodo cieco filettato.

Antiscivolo in gomma vulcanizzata (NBR) durezza 70 in tolleranza +/-5 Shore A.

- LMP.F (d - l): stelo filettato, senza antiscivolo.

- LMP.F-TR (d - l): stelo filettato.

Antiscivolo in elastomero termoplastico (TPE).

- LMP.F-TV (d - l): stelo filettato.

Antiscivolo in gomma vulcanizzata (NBR) durezza 70 in tolleranza +/-5 Shore A.

VITE DI FISSAGGIO

Acciaio INOX AISI 304.

CARATTERISTICHE

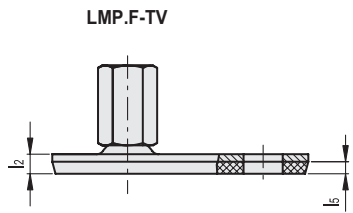
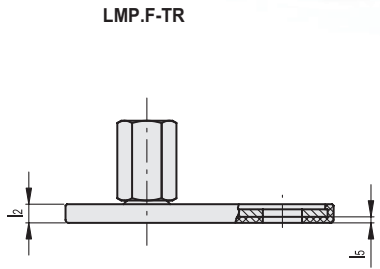
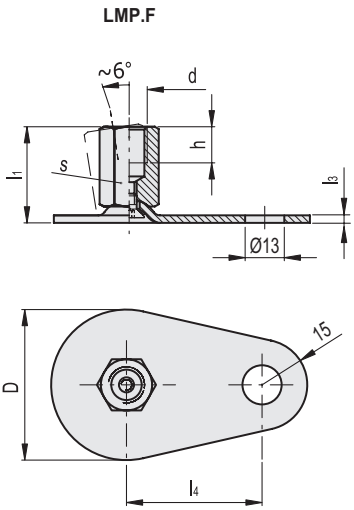
La resistenza del piedino di livellamento a un carico statico è limitata ovviamente dalla capacità di carico ammissibile dello stelo (acciaio classe resistenza 500 N/mm²).

I valori di carico indicati in tabella si riferiscono a prove di laboratorio con applicazione del carico perpendicolare alla base.

Essi sono da considerarsi puramente indicativi e devono essere verificati nelle specifiche condizioni di impiego.

In condizioni d'impiego reali, devono essere tenute in considerazione anche eventuali sollecitazioni laterali o angolari che ne riducano la resistenza.

Sarà cura dell'utilizzatore determinare caso per caso se il prodotto è adatto per l'impiego previsto.



LMP.F (d)

Codice	Descrizione	D	d	l1	l3	l4	h	s	Carico statico limite max. [N]	⚖️
404941	LMP.F-50-M8	50	M8	25	2.5	45	8	14	8000	89
404942	LMP.F-50-M10	50	M10	28	2.5	45	10	14	8000	89
404943	LMP.F-50-M12	50	M12	32	2.5	45	12	17	8000	97
404944	LMP.F-50-M16	50	M16	37	2.5	45	16	22	8000	130
405000	LMP.F-60-M8	60	M8	25	2.5	50	8	14	8000	109
405001	LMP.F-60-M10	60	M10	28	2.5	50	10	14	10000	109
405002	LMP.F-60-M12	60	M12	32	2.5	50	12	17	10000	168
405003	LMP.F-60-M16	60	M16	25	2.5	50	16	22	10000	152
405059	LMP.F-80-M8	80	M8	26	3	70	8	14	8000	184
405060	LMP.F-80-M10	80	M10	29	3	70	10	14	10000	198
405061	LMP.F-80-M12	80	M12	32	3	70	12	17	12000	218
405062	LMP.F-80-M16	80	M16	38	3	70	16	22	12000	257
405063	LMP.F-80-M20	80	M20	45	3	70	20	27	10000	200

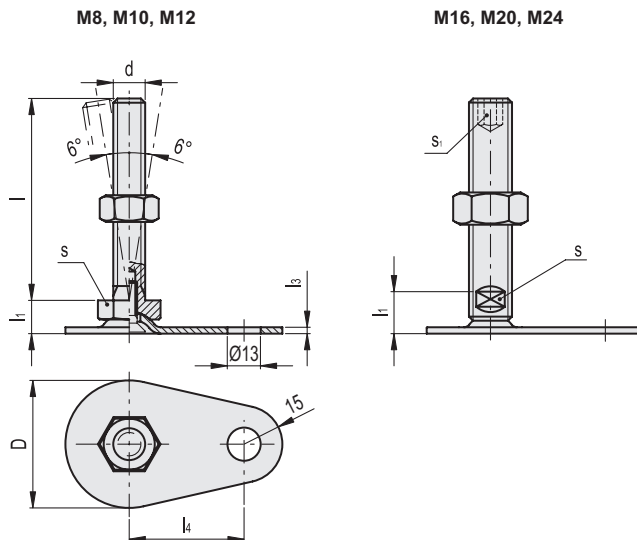
Piedini di livellamento e supporti

LMP.F-TR (d)

Codice	Descrizione	D	d	l1	l2	l3	l4	l5	h	s	Carico statico limite max. [N]	⚖️
404971	LMP.F-50-M8-TR	50	M8	25	6	2.5	45	2	8	14	8000	89
404972	LMP.F-50-M10-TR	50	M10	28	6	2.5	45	2	10	14	8000	89
404973	LMP.F-50-M12-TR	50	M12	32	6	2.5	45	2	12	17	8000	110
404974	LMP.F-50-M16-TR	50	M16	37	6	2.5	45	2	16	22	8000	150
405030	LMP.F-60-M8-TR	60	M8	25	6	2.5	50	2	8	14	8000	109
405031	LMP.F-60-M10-TR	60	M10	28	6	2.5	50	2	10	14	10000	109
405032	LMP.F-60-M12-TR	60	M12	32	6	2.5	50	2	12	17	10000	168
405033	LMP.F-60-M16-TR	60	M16	37	6	2.5	50	2	16	22	10000	170
405098	LMP.F-80-M8-TR	80	M8	26	7	3	70	2	8	14	8000	200
405095	LMP.F-80-M10-TR	80	M10	29	7	3	70	2	10	14	10000	198
405096	LMP.F-80-M12-TR	80	M12	32	7	3	70	2	12	17	12000	218
405097	LMP.F-80-M16-TR	80	M16	38	7	3	70	2	16	22	12000	257
405099	LMP.F-80-M20-TR	80	M20	45	7	3	70	2	20	27	16000	320

LMP.F-TV (d)

Codice	Descrizione	D	d	l1	l2	l3	l4	l5	h	s	Carico statico limite max. [N]	⚖️
403701	LMP.F-50-M8-TV	50	M8	25	6.5	2.5	45	4	8	14	8000	89
403702	LMP.F-50-M10-TV	50	M10	28	6.5	2.5	45	4	10	14	8000	93
403699	LMP.F-50-M12-TV	50	M12	32	6.5	2.5	45	4	12	17	8000	159
403700	LMP.F-50-M16-TV	50	M16	37	6.5	2.5	45	4	16	22	8000	146
403721	LMP.F-60-M8-TV	60	M8	25	7	2.5	50	4.5	8	14	8000	109
403722	LMP.F-60-M10-TV	60	M10	28	7	2.5	50	4.5	10	14	10000	119
403723	LMP.F-60-M12-TV	60	M12	32	7	2.5	50	4.5	12	17	10000	168
403720	LMP.F-60-M16-TV	60	M16	37	7	2.5	50	4.5	16	22	10000	150
403769	LMP.F-80-M8-TV	80	M8	26	8	3	70	5	8	14	8000	223
403741	LMP.F-80-M10-TV	80	M10	29	8	3	70	5	10	14	10000	198
403742	LMP.F-80-M12-TV	80	M12	32	8	3	70	5	12	17	12000	218
403743	LMP.F-80-M16-TV	80	M16	38	8	3	70	5	16	22	12000	257
403740	LMP.F-80-M20-TV	80	M20	45	8	3	70	5	20	27	16000	335

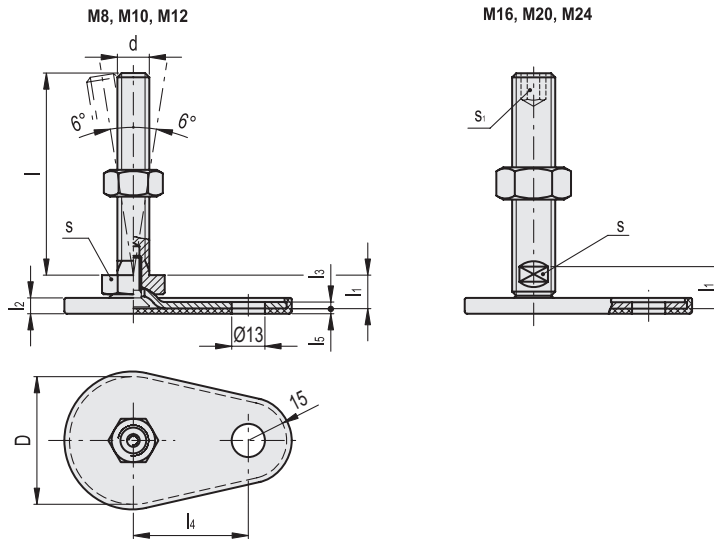


LMP.F (d - l)

Codice	Descrizione	D	d	l	l1	l3	l4	s	s1	Carico statico limite max. [N]	⚖️
404946	LMP.F-50-M8x40	50	M8	40	11	2.5	45	17	-	8000	60
404947	LMP.F-50-M8x50	50	M8	50	11	2.5	45	17	-	8000	70
404948	LMP.F-50-M8x63	50	M8	63	11	2.5	45	17	-	8000	76



LMP.F (d - l)											Carico statico limite max. [N]	
Codice	Descrizione	D	d	l	li	ls	ll	s	sl			
1	404951	LMP.F-50-M10x50	50	M10	50	11	2.5	45	17	-	8000	80
2	404952	LMP.F-50-M10x60	50	M10	60	11	2.5	45	17	-	8000	84
3	404953	LMP.F-50-M10x80	50	M10	80	11	2.5	45	17	-	8000	99
4	404954	LMP.F-50-M10x100	50	M10	100	11	2.5	45	17	-	8000	100
5	404956	LMP.F-50-M12x60	50	M12	60	11	2.5	45	17	-	8000	104
5	404957	LMP.F-50-M12x80	50	M12	80	11	2.5	45	17	-	8000	109
5	404958	LMP.F-50-M12x100	50	M12	100	11	2.5	45	17	-	8000	120
5	404959	LMP.F-50-M12x125	50	M12	125	11	2.5	45	17	-	8000	160
6	404961	LMP.F-50-M16x75	50	M16	75	17	2.5	45	12	8	8000	175
6	404962	LMP.F-50-M16x100	50	M16	100	17	2.5	45	12	8	8000	200
7	404963	LMP.F-50-M16x125	50	M16	125	17	2.5	45	12	8	8000	243
7	404964	LMP.F-50-M16x150	50	M16	150	17	2.5	45	12	8	8000	277
8	404965	LMP.F-50-M16x200	50	M16	200	17	2.5	45	12	8	8000	320
8	405006	LMP.F-60-M8x40	60	M8	40	11	2.5	50	17	-	8000	65
9	405007	LMP.F-60-M8x50	60	M8	50	11	2.5	50	17	-	8000	70
9	405008	LMP.F-60-M8x63	60	M8	63	11	2.5	50	17	-	8000	81
10	405011	LMP.F-60-M10x50	60	M10	50	11	2.5	50	17	-	10000	100
10	405012	LMP.F-60-M10x60	60	M10	60	11	2.5	50	17	-	10000	107
11	405013	LMP.F-60-M10x80	60	M10	80	11	2.5	50	17	-	10000	114
11	405014	LMP.F-60-M10x100	60	M10	100	11	2.5	50	17	-	10000	119
12	405016	LMP.F-60-M12x60	60	M12	60	11	2.5	50	17	-	10000	120
12	405017	LMP.F-60-M12x80	60	M12	80	11	2.5	50	17	-	10000	136
12	405018	LMP.F-60-M12x100	60	M12	100	11	2.5	50	17	-	10000	147
13	405019	LMP.F-60-M12x125	60	M12	125	11	2.5	50	17	-	10000	167
13	405021	LMP.F-60-M16x75	60	M16	75	17	2.5	50	12	8	10000	187
14	405022	LMP.F-60-M16x100	60	M16	100	17	2.5	50	12	8	10000	210
14	405023	LMP.F-60-M16x125	60	M16	125	17	2.5	50	12	8	10000	258
15	405024	LMP.F-60-M16x150	60	M16	150	17	2.5	50	12	8	10000	300
15	405025	LMP.F-60-M16x200	60	M16	200	17	2.5	50	12	8	10000	400
16	405066	LMP.F-80-M8x40	80	M8	40	12	3	70	17	-	8000	140
16	405067	LMP.F-80-M8x50	80	M8	50	12	3	70	17	-	8000	160
16	405068	LMP.F-80-M8x63	80	M8	63	12	3	70	17	-	8000	170
17	405071	LMP.F-80-M10x50	80	M10	50	12	3	70	17	-	10000	150
17	405072	LMP.F-80-M10x60	80	M10	60	12	3	70	17	-	10000	168
18	405073	LMP.F-80-M10x80	80	M10	80	12	3	70	17	-	10000	180
18	405074	LMP.F-80-M10x100	80	M10	100	12	3	70	17	-	10000	190
18	405076	LMP.F-80-M12x60	80	M12	60	12	3	70	17	-	12000	180
18	405077	LMP.F-80-M12x80	80	M12	80	12	3	70	17	-	12000	200
18	405078	LMP.F-80-M12x100	80	M12	100	12	3	70	17	-	12000	220
18	405079	LMP.F-80-M12x125	80	M12	125	12	3	70	17	-	12000	233
18	405081	LMP.F-80-M16x75	80	M16	75	18	3	70	12	8	12000	200
18	405082	LMP.F-80-M16x100	80	M16	100	18	3	70	12	8	12000	260
18	405083	LMP.F-80-M16x125	80	M16	125	18	3	70	12	8	12000	290
18	405084	LMP.F-80-M16x150	80	M16	150	18	3	70	12	8	12000	360
18	405085	LMP.F-80-M16x200	80	M16	200	18	3	70	12	8	12000	464
18	405086	LMP.F-80-M20x75	80	M20	75	19	3	70	15	10	16000	350
18	405087	LMP.F-80-M20x100	80	M20	100	19	3	70	15	10	16000	380
18	405088	LMP.F-80-M20x125	80	M20	125	19	3	70	15	10	16000	400
18	405089	LMP.F-80-M20x150	80	M20	150	19	3	70	15	10	16000	460
18	405090	LMP.F-80-M20x200	80	M20	200	19	3	70	15	10	16000	640
18	405091	LMP.F-80-M24x100	80	M24	100	22	3	70	19	12	16000	550
18	405092	LMP.F-80-M24x125	80	M24	125	22	3	70	19	12	16000	619
18	405093	LMP.F-80-M24x150	80	M24	150	22	3	70	19	12	16000	687
18	405094	LMP.F-80-M24x200	80	M24	200	22	3	70	19	12	16000	860

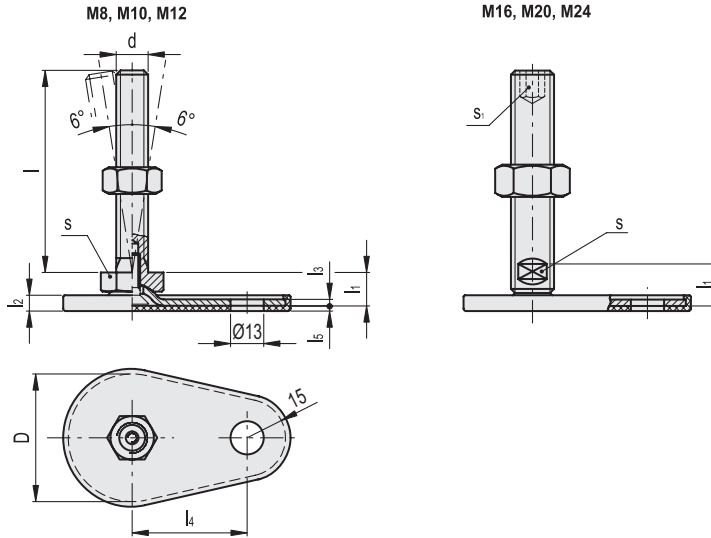


LMP.F-TR (d - l)

Codice	Descrizione	D	d	l	l1	l2	l3	l4	l5	s	s1	Carico statico limite max. [N]	⚖
404976	LMP.F-50-M8x40-TR	50	M8	40	11	6	2.5	45	2	17	-	8000	61
404977	LMP.F-50-M8x50-TR	50	M8	50	11	6	2.5	45	2	17	-	8000	80
404978	LMP.F-50-M8x63-TR	50	M8	63	11	6	2.5	45	2	17	-	8000	90
404981	LMP.F-50-M10x50-TR	50	M10	50	11	6	2.5	45	2	17	-	8000	88
404982	LMP.F-50-M10x60-TR	50	M10	60	11	6	2.5	45	2	17	-	8000	94
404983	LMP.F-50-M10x80-TR	50	M10	80	11	6	2.5	45	2	17	-	8000	100
404984	LMP.F-50-M10x100-TR	50	M10	100	11	6	2.5	45	2	17	-	8000	110
404986	LMP.F-50-M12x60-TR	50	M12	60	11	6	2.5	45	2	17	-	8000	120
404987	LMP.F-50-M12x80-TR	50	M12	80	11	6	2.5	45	2	17	-	8000	130
404988	LMP.F-50-M12x100-TR	50	M12	100	11	6	2.5	45	2	17	-	8000	140
404989	LMP.F-50-M12x125-TR	50	M12	125	11	6	2.5	45	2	17	-	8000	160
404991	LMP.F-50-M16x75-TR	50	M16	75	17	6	2.5	45	2	12	8	8000	178
404992	LMP.F-50-M16x100-TR	50	M16	100	17	6	2.5	45	2	12	8	8000	220
404993	LMP.F-50-M16x125-TR	50	M16	125	17	6	2.5	45	2	12	8	8000	250
404994	LMP.F-50-M16x150-TR	50	M16	150	17	6	2.5	45	2	12	8	8000	280
404995	LMP.F-50-M16x200-TR	50	M16	200	17	6	2.5	45	2	12	8	8000	300
405036	LMP.F-60-M8x40-TR	60	M8	40	11	6	2.5	50	2	17	-	8000	80
405037	LMP.F-60-M8x50-TR	60	M8	50	11	6	2.5	50	2	17	-	8000	89
405038	LMP.F-60-M8x63-TR	60	M8	63	11	6	2.5	50	2	17	-	8000	104
405041	LMP.F-60-M10x50-TR	60	M10	50	11	6	2.5	50	2	17	-	10000	100
405042	LMP.F-60-M10x60-TR	60	M10	60	11	6	2.5	50	2	17	-	10000	110
405043	LMP.F-60-M10x80-TR	60	M10	80	11	6	2.5	50	2	17	-	10000	120
405044	LMP.F-60-M10x100-TR	60	M10	100	11	6	2.5	50	2	17	-	10000	130
405046	LMP.F-60-M12x60-TR	60	M12	60	11	6	2.5	50	2	17	-	10000	125
405047	LMP.F-60-M12x80-TR	60	M12	80	11	6	2.5	50	2	17	-	10000	143
405048	LMP.F-60-M12x100-TR	60	M12	100	11	6	2.5	50	2	17	-	10000	158
405049	LMP.F-60-M12x125-TR	60	M12	125	11	6	2.5	50	2	17	-	10000	180
405051	LMP.F-60-M16x75-TR	60	M16	75	17	6	2.5	50	2	12	8	10000	200
405052	LMP.F-60-M16x100-TR	60	M16	100	17	6	2.5	50	2	12	8	10000	220
405053	LMP.F-60-M16x125-TR	60	M16	125	17	6	2.5	50	2	12	8	10000	260
405054	LMP.F-60-M16x150-TR	60	M16	150	17	6	2.5	50	2	12	8	10000	300
405055	LMP.F-60-M16x200-TR	60	M16	200	17	6	2.5	50	2	12	8	10000	347



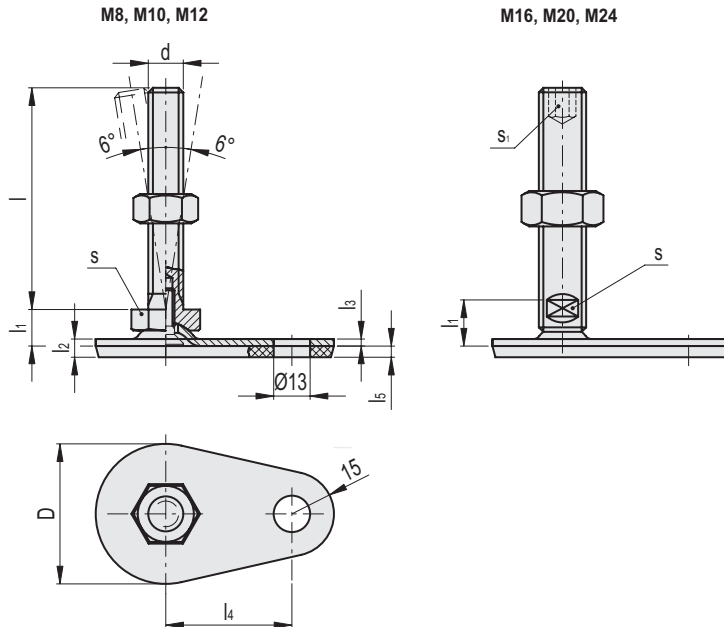
- 1
- 2
- 3
- 4
- 5
- 6
- 7
- 8
- 9
- 10
- 11
- 12
- 13
- 14
- 15
- 16
- 17
- 18



LMP.F-TR (d - l)

Codice	Descrizione	D	d	l	l1	l2	l3	l4	l5	s	s1	Carico statico limite max. [N]	
405101	LMP.F-80-M8x40-TR	80	M8	40	12	7	3	70	2	17	-	8000	156
405102	LMP.F-80-M8x50-TR	80	M8	50	12	7	3	70	2	17	-	8000	163
405103	LMP.F-80-M8x63-TR	80	M8	63	12	7	3	70	2	17	-	8000	180
405106	LMP.F-80-M10x50-TR	80	M10	50	12	7	3	70	2	17	-	10000	160
405107	LMP.F-80-M10x60-TR	80	M10	60	12	7	3	70	2	17	-	10000	184
405108	LMP.F-80-M10x80-TR	80	M10	80	12	7	3	70	2	17	-	10000	206
405109	LMP.F-80-M10x100-TR	80	M10	100	12	7	3	70	2	17	-	10000	230
405111	LMP.F-80-M12x60-TR	80	M12	60	12	7	3	70	2	17	-	12000	200
405112	LMP.F-80-M12x80-TR	80	M12	80	12	7	3	70	2	17	-	12000	220
405113	LMP.F-80-M12x100-TR	80	M12	100	12	7	3	70	2	17	-	12000	250
405114	LMP.F-80-M12x125-TR	80	M12	125	12	7	3	70	2	17	-	12000	290
405116	LMP.F-80-M16x75-TR	80	M16	75	18	7	3	70	2	12	8	12000	280
405117	LMP.F-80-M16x100-TR	80	M16	100	18	7	3	70	2	12	8	12000	320
405118	LMP.F-80-M16x125-TR	80	M16	125	18	7	3	70	2	12	8	12000	360
405119	LMP.F-80-M16x150-TR	80	M16	150	18	7	3	70	2	12	8	12000	400
405120	LMP.F-80-M16x200-TR	80	M16	200	18	7	3	70	2	12	8	12000	481
405121	LMP.F-80-M20x75-TR	80	M20	75	19	7	3	70	2	15	10	16000	360
405122	LMP.F-80-M20x100-TR	80	M20	100	19	7	3	70	2	15	10	16000	400
405123	LMP.F-80-M20x125-TR	80	M20	125	19	7	3	70	2	15	10	16000	559
405124	LMP.F-80-M20x150-TR	80	M20	150	19	7	3	70	2	15	10	16000	400
405125	LMP.F-80-M20x200-TR	80	M20	200	19	7	3	70	2	15	10	16000	490
405126	LMP.F-80-M24x100-TR	80	M24	100	22	7	3	70	2	19	12	16000	560
405127	LMP.F-80-M24x125-TR	80	M24	125	22	7	3	70	2	19	12	16000	630
405128	LMP.F-80-M24x150-TR	80	M24	150	22	7	3	70	2	19	12	16000	700
405129	LMP.F-80-M24x200-TR	80	M24	200	22	7	3	70	2	19	12	16000	877

Piedini di livellamento e supporti

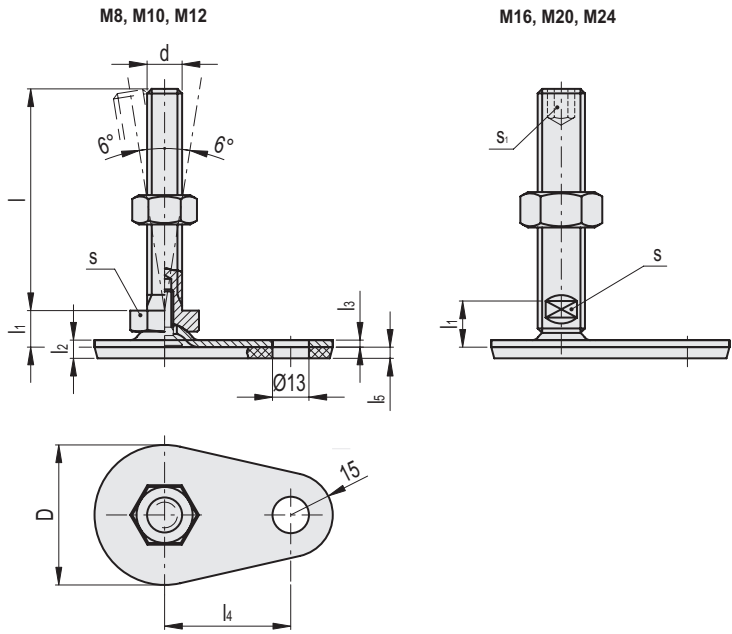


LMP.F-TV (d - l)

Codice	Descrizione	D	d	l	l1	l2	l3	l4	l5	s	s1	Carico statico limite max. [N]	⚖️
403703	LMP.F-50-M8x40-TV	50	M8	40	11	6.5	2.5	45	4	17	-	8000	61
403704	LMP.F-50-M8x50-TV	50	M8	50	11	6.5	2.5	45	4	17	-	8000	80
403705	LMP.F-50-M8x63-TV	50	M8	63	11	6.5	2.5	45	4	17	-	8000	90
403706	LMP.F-50-M10x50-TV	50	M10	50	11	6.5	2.5	45	4	17	-	8000	88
403707	LMP.F-50-M10x60-TV	50	M10	60	11	6.5	2.5	45	4	17	-	8000	94
403708	LMP.F-50-M10x80-TV	50	M10	80	11	6.5	2.5	45	4	17	-	8000	100
403709	LMP.F-50-M10x100-TV	50	M10	100	11	6.5	2.5	45	4	17	-	8000	110
403710	LMP.F-50-M12x60-TV	50	M12	60	11	6.5	2.5	45	4	17	-	8000	120
403711	LMP.F-50-M12x80-TV	50	M12	80	11	6.5	2.5	45	4	17	-	8000	130
403712	LMP.F-50-M12x100-TV	50	M12	100	11	6.5	2.5	45	4	17	-	8000	140
403713	LMP.F-50-M12x125-TV	50	M12	125	11	6.5	2.5	45	4	17	-	8000	160
403714	LMP.F-50-M16x75-TV	50	M16	75	17	6.5	2.5	45	4	12	8	8000	178
403715	LMP.F-50-M16x100-TV	50	M16	100	17	6.5	2.5	45	4	12	8	8000	220
403716	LMP.F-50-M16x125-TV	50	M16	125	17	6.5	2.5	45	4	12	8	8000	250
403717	LMP.F-50-M16x150-TV	50	M16	150	17	6.5	2.5	45	4	12	8	8000	280
403718	LMP.F-50-M16x200-TV	50	M16	200	17	6.5	2.5	45	4	12	8	8000	360
403724	LMP.F-60-M8x40-TV	60	M8	40	11	7	2.5	50	4.5	17	-	8000	80
403725	LMP.F-60-M8x50-TV	60	M8	50	11	7	2.5	50	4.5	17	-	8000	89
403726	LMP.F-60-M8x63-TV	60	M8	63	11	7	2.5	50	4.5	17	-	8000	104
403727	LMP.F-60-M10x50-TV	60	M10	50	11	7	2.5	50	4.5	17	-	10000	100
403728	LMP.F-60-M10x60-TV	60	M10	60	11	7	2.5	50	4.5	17	-	10000	110
403729	LMP.F-60-M10x80-TV	60	M10	80	11	7	2.5	50	4.5	17	-	10000	120
403730	LMP.F-60-M10x100-TV	60	M10	100	11	7	2.5	50	4.5	17	-	10000	130
403731	LMP.F-60-M12x60-TV	60	M12	60	11	7	2.5	50	4.5	17	-	10000	125
403732	LMP.F-60-M12x80-TV	60	M12	80	11	7	2.5	50	4.5	17	-	10000	143
403733	LMP.F-60-M12x100-TV	60	M12	100	11	7	2.5	50	4.5	17	-	10000	158
403734	LMP.F-60-M12x125-TV	60	M12	125	11	7	2.5	50	4.5	17	-	10000	180
403735	LMP.F-60-M16x75-TV	60	M16	75	17	7	2.5	50	4.5	12	8	10000	200
403736	LMP.F-60-M16x100-TV	60	M16	100	17	7	2.5	50	4.5	12	8	10000	220
403737	LMP.F-60-M16x125-TV	60	M16	125	17	7	2.5	50	4.5	12	8	10000	260
403738	LMP.F-60-M16x150-TV	60	M16	150	17	7	2.5	50	4.5	12	8	10000	300
403739	LMP.F-60-M16x200-TV	60	M16	200	17	7	2.5	50	4.5	12	8	10000	360



- 1
- 2
- 3
- 4
- 5
- 6
- 7
- 8
- 9
- 10
- 11
- 12
- 13
- 14
- 15
- 16
- 17
- 18



LMP.F-TV (d - l)

Codice	Descrizione	D	d	l	l1	l2	l3	l4	l5	s	s1	Carico statico limite max. [N]	
403744	LMP.F-80-M8x40-TV	80	M8	40	12	8	3	70	5	17	-	8000	156
403745	LMP.F-80-M8x50-TV	80	M8	50	12	8	3	70	5	17	-	8000	163
403746	LMP.F-80-M8x63-TV	80	M8	63	12	8	3	70	5	17	-	8000	180
403747	LMP.F-80-M10x50-TV	80	M10	50	12	8	3	70	5	17	-	10000	160
403748	LMP.F-80-M10x60-TV	80	M10	60	12	8	3	70	5	17	-	10000	184
403749	LMP.F-80-M10x80-TV	80	M10	80	12	8	3	70	5	17	-	10000	206
403750	LMP.F-80-M10x100-TV	80	M10	100	12	8	3	70	5	17	-	10000	230
403751	LMP.F-80-M12x60-TV	80	M12	60	12	8	3	70	5	17	-	12000	200
403752	LMP.F-80-M12x80-TV	80	M12	80	12	8	3	70	5	17	-	12000	220
403753	LMP.F-80-M12x100-TV	80	M12	100	12	8	3	70	5	17	-	12000	250
403754	LMP.F-80-M12x125-TV	80	M12	125	12	8	3	70	5	17	-	12000	290
403755	LMP.F-80-M16x75-TV	80	M16	75	18	8	3	70	5	12	8	12000	280
403756	LMP.F-80-M16x100-TV	80	M16	100	18	8	3	70	5	12	8	12000	320
403757	LMP.F-80-M16x125-TV	80	M16	125	18	8	3	70	5	12	8	12000	360
403758	LMP.F-80-M16x150-TV	80	M16	150	18	8	3	70	5	12	8	12000	400
403767	LMP.F-80-M16x200-TV	80	M16	200	18	8	3	70	5	12	8	12000	400
403759	LMP.F-80-M20x75-TV	80	M20	75	19	8	3	70	5	15	10	16000	360
403760	LMP.F-80-M20x100-TV	80	M20	100	19	8	3	70	5	15	10	16000	400
403761	LMP.F-80-M20x125-TV	80	M20	125	19	8	3	70	5	15	10	16000	559
403762	LMP.F-80-M20x150-TV	80	M20	150	19	8	3	70	5	15	10	16000	400
403768	LMP.F-80-M20x200-TV	80	M20	200	19	8	3	70	5	15	10	16000	660
403763	LMP.F-80-M24x100-TV	80	M24	100	22	8	3	70	5	19	12	16000	560
403764	LMP.F-80-M24x125-TV	80	M24	125	22	8	3	70	5	19	12	16000	630
403765	LMP.F-80-M24x150-TV	80	M24	150	22	8	3	70	5	19	12	16000	700
403766	LMP.F-80-M24x200-TV	80	M24	200	22	8	3	70	5	19	12	16000	897

Piedini di livellamento e supporti