

Base con fori asolati, snodo o stelo in acciaio



1

## ESECUZIONI STANDARD

Base con un foro asolato passante, snodo o stelo filettato con dado in acciaio zincato:

- **LMD.F-SL (d2)**: snodo cieco filettato, senza antiscivolo.
- **LMD.F-SL-TV (d2)**: snodo cieco filettato, con antiscivolo in gomma vulcanizzata (NBR) durezza 70 Shore A in tolleranza +/-5.
- **LMD.F-SL (d2 - I)**: stelo filettato, senza antiscivolo.
- **LMD.F-SL-TV (d2 - I)**: stelo filettato, con antiscivolo in gomma vulcanizzata (NBR) durezza 70 Shore A in tolleranza +/-5.



2



3



4



5



6



7



8



9



10



11



12



13



14



15



16



17



18



19

## VITE DI FISSAGGIO

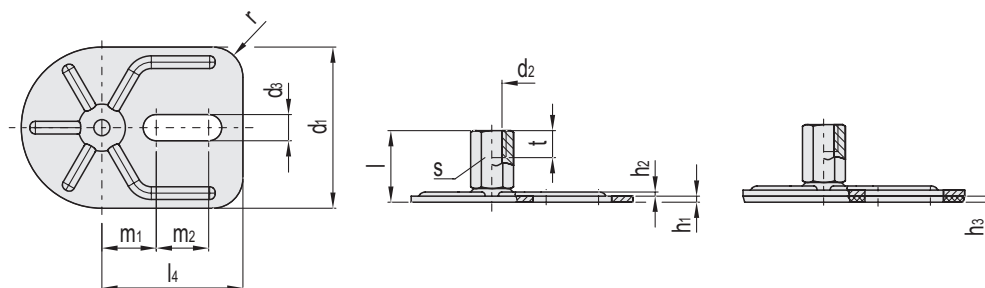
Acciaio INOX.

## CARATTERISTICHE

Le basi dei piedini di livellamento LMD.F sono provviste di uno o due fori asolati passanti per consentirne il fissaggio alla superficie di montaggio e la corretta registrazione, impedendone lo spostamento laterale.

Le esecuzioni con rivestimento antiscivolo sono particolarmente adatte per impiego su superfici sensibili.

I piedini di livellamento sono forniti completamente assemblati, non rimovibili.

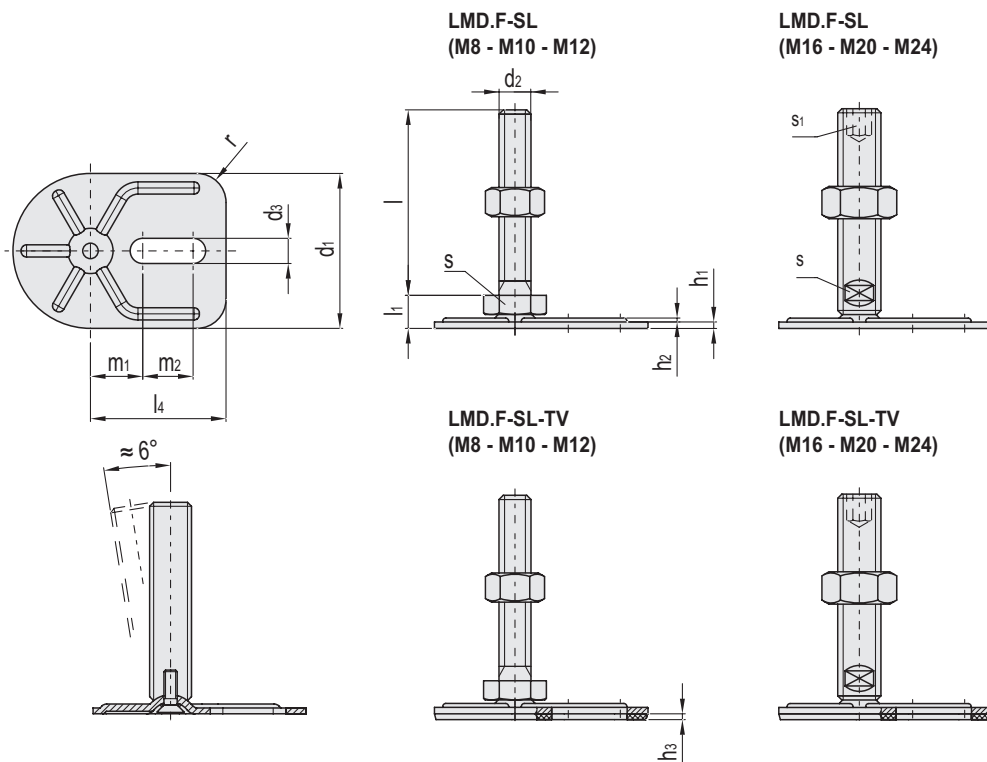


## LMD.F-SL (d2)

Codice	Descrizione	d1	l	l4	d2	d3	h1	h2	m1	m2	s	r	t	Carico statico limite max.* [N]	
409101	LMD.F-SL-80-M8	80	26	70	M8	13	3	1.3	27	26	14	15	8	8000	202
409111	LMD.F-SL-80-M10	80	29	70	M10	13	3	1.3	27	26	14	15	10	10000	204
409123	LMD.F-SL-80-M12	80	32	70	M12	13	3	1.3	27	26	17	15	12	12000	237
409135	LMD.F-SL-80-M16	80	38	70	M16	13	3	1.3	27	26	22	15	16	16000	253
409149	LMD.F-SL-80-M20	80	45	70	M20	13	3	1.3	27	26	27	15	20	20000	317

## LMD.F-SL-TV (d2)

Codice	Descrizione	d1	l	l4	d2	d3	h1	h2	h3	m1	m2	s	r	t	Carico statico limite max.* [N]	
409102	LMD.F-SL-80-M8-TV	80	26	70	M8	13	3	1.3	3	27	26	14	15	8	8000	230
409112	LMD.F-SL-80-M10-TV	80	29	70	M10	13	3	1.3	3	27	26	14	15	10	10000	233
409124	LMD.F-SL-80-M12-TV	80	32	70	M12	13	3	1.3	3	27	26	17	15	12	12000	244
409136	LMD.F-SL-80-M16-TV	80	38	70	M16	13	3	1.3	3	27	26	22	15	16	16000	282
409150	LMD.F-SL-80-M20-TV	80	45	70	M20	13	3	1.3	3	27	26	27	15	20	20000	345

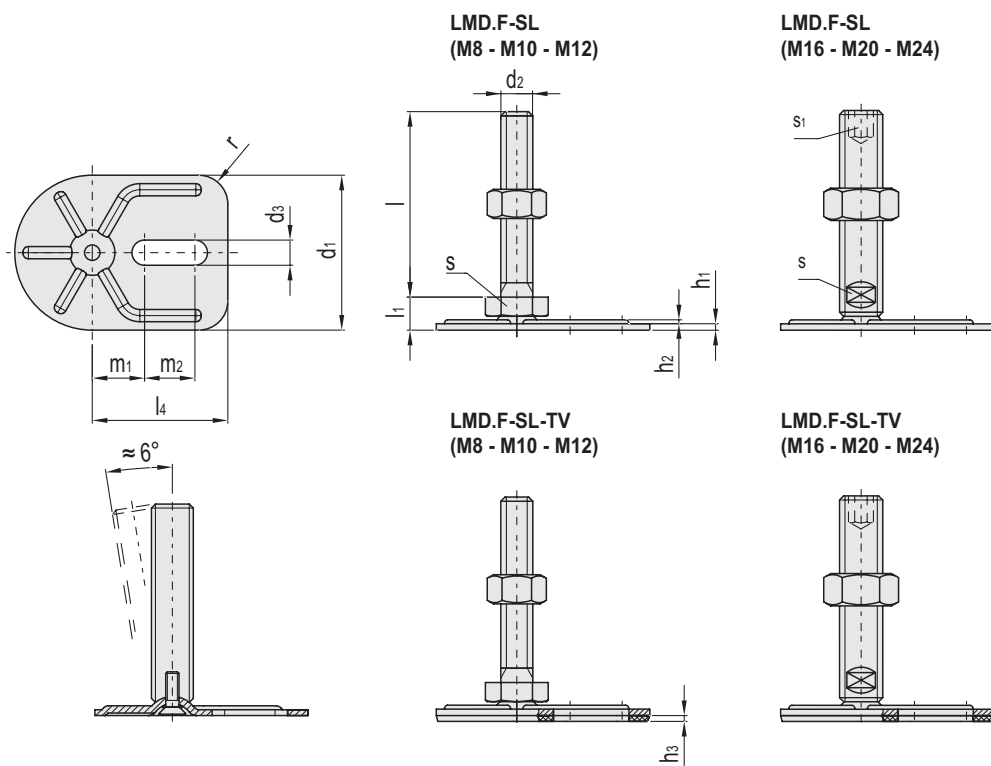
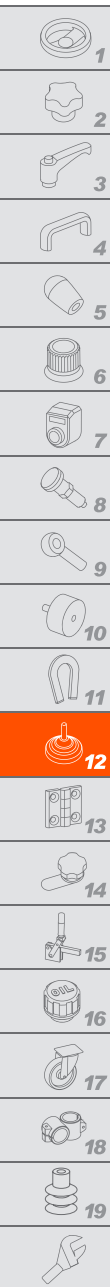


LMD.F-SL (d2 - l)

Codice	Descrizione	d1	l	l1	l4	d2	d3	h1	h2	m1	m2	s	s1	r	Carico statico limite max.* [N]	
409103	LMD.F-SL-80-M8x40	80	40	12	70	M8	13	3	1.3	27	26	17	-	15	8000	205
409105	LMD.F-SL-80-M8x50	80	50	12	70	M8	13	3	1.3	27	26	17	-	15	8000	212
409107	LMD.F-SL-80-M8x63	80	63	12	70	M8	13	3	1.3	27	26	17	-	15	8000	212
409113	LMD.F-SL-80-M10x50	80	50	12	70	M10	13	3	1.3	27	26	17	-	15	10000	230
409115	LMD.F-SL-80-M10x60	80	60	12	70	M10	13	3	1.3	27	26	17	-	15	10000	247
409117	LMD.F-SL-80-M10x80	80	80	12	70	M10	13	3	1.3	27	26	17	-	15	10000	240
409119	LMD.F-SL-80-M10x100	80	100	12	70	M10	13	3	1.3	27	26	17	-	15	10000	250
409125	LMD.F-SL-80-M12x60	80	60	12	70	M12	13	3	1.3	27	26	17	-	15	12000	264
409127	LMD.F-SL-80-M12x80	80	80	12	70	M12	13	3	1.3	27	26	17	-	15	12000	263
409129	LMD.F-SL-80-M12x100	80	100	12	70	M12	13	3	1.3	27	26	17	-	15	12000	293
409131	LMD.F-SL-80-M12x125	80	125	12	70	M12	13	3	1.3	27	26	17	-	15	12000	295
409137	LMD.F-SL-80-M16x75	80	75	18	70	M16	13	3	1.3	27	26	12	8	15	16000	311
409139	LMD.F-SL-80-M16x100	80	100	18	70	M16	13	3	1.3	27	26	12	8	15	16000	343
409141	LMD.F-SL-80-M16x125	80	125	18	70	M16	13	3	1.3	27	26	12	8	15	16000	380
409143	LMD.F-SL-80-M16x150	80	150	18	70	M16	13	3	1.3	27	26	12	8	15	16000	407
409145	LMD.F-SL-80-M16x200	80	200	18	70	M16	13	3	1.3	27	26	12	8	15	16000	481
409159	LMD.F-SL-80-M20x75	80	75	19	70	M20	13	3	1.3	27	26	15	10	15	20000	408
409151	LMD.F-SL-80-M20x100	80	100	19	70	M20	13	3	1.3	27	26	15	10	15	20000	461
409153	LMD.F-SL-80-M20x125	80	125	19	70	M20	13	3	1.3	27	26	15	10	15	20000	506
409155	LMD.F-SL-80-M20x150	80	150	19	70	M20	13	3	1.3	27	26	15	10	15	20000	562
409157	LMD.F-SL-80-M20x200	80	200	19	70	M20	13	3	1.3	27	26	15	10	15	20000	646
409162	LMD.F-SL-80-M24x100	80	100	22	70	M24	13	3	1.3	27	26	19	12	15	24000	599
409164	LMD.F-SL-80-M24x125	80	125	22	70	M24	13	3	1.3	27	26	19	12	15	24000	675
409166	LMD.F-SL-80-M24x150	80	150	22	70	M24	13	3	1.3	27	26	19	12	15	24000	743
409168	LMD.F-SL-80-M24x200	80	150	22	70	M24	13	3	1.3	27	26	19	12	15	24000	898

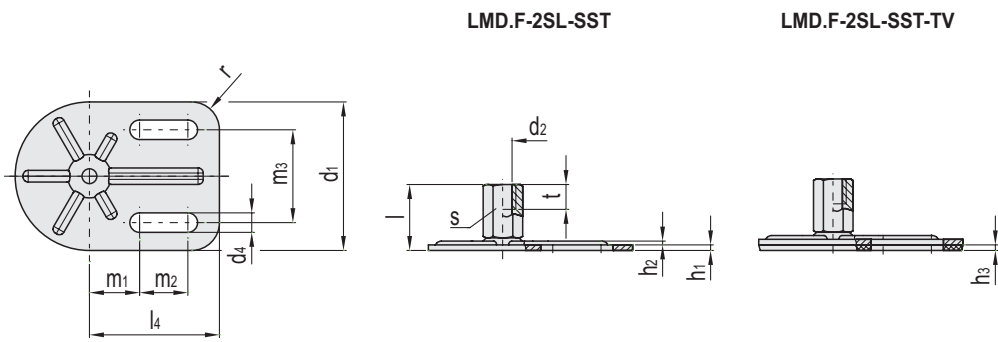


Piedini di livellamento e supporti



LMD.F-SL-TV (d2 - l)

Codice	Descrizione	d1	l	l1	l4	d2	d3	h1	h2	h3	m1	m2	s	s1	r	Carico statico limite max.* [N]	⚖
409104	LMD.F-SL-80-M8x40-TV	80	40	12	70	M8	13	3	1.3	3	27	26	17	-	15	8000	234
409106	LMD.F-SL-80-M8x50-TV	80	50	12	70	M8	13	3	1.3	3	27	26	17	-	15	8000	241
409108	LMD.F-SL-80-M8x63-TV	80	63	12	70	M8	13	3	1.3	3	27	26	17	-	15	8000	239
409114	LMD.F-SL-80-M10x50-TV	80	50	12	70	M10	13	3	1.3	3	27	26	17	-	15	10000	252
409116	LMD.F-SL-80-M10x60-TV	80	60	12	70	M10	13	3	1.3	3	27	26	17	-	15	10000	259
409118	LMD.F-SL-80-M10x80-TV	80	80	12	70	M10	13	3	1.3	3	27	26	17	-	15	10000	283
409120	LMD.F-SL-80-M10x100-TV	80	100	12	70	M10	13	3	1.3	3	27	26	17	-	15	10000	293
409126	LMD.F-SL-80-M12x60-TV	80	60	12	70	M12	13	3	1.3	3	27	26	17	-	15	12000	278
409128	LMD.F-SL-80-M12x80-TV	80	80	12	70	M12	13	3	1.3	3	27	26	17	-	15	12000	306
409130	LMD.F-SL-80-M12x100-TV	80	100	12	70	M12	13	3	1.3	3	27	26	17	-	15	12000	306
409132	LMD.F-SL-80-M12x125-TV	80	125	12	70	M12	13	3	1.3	3	27	26	17	-	15	12000	342
409138	LMD.F-SL-80-M16x75-TV	80	75	18	70	M16	13	3	1.3	3	27	26	12	8	15	16000	344
409140	LMD.F-SL-80-M16x100-TV	80	100	18	70	M16	13	3	1.3	3	27	26	12	8	15	16000	377
409142	LMD.F-SL-80-M16x125-TV	80	125	18	70	M16	13	3	1.3	3	27	26	12	8	15	16000	404
409144	LMD.F-SL-80-M16x150-TV	80	150	18	70	M16	13	3	1.3	3	27	26	12	8	15	16000	442
409146	LMD.F-SL-80-M16x200-TV	80	200	18	70	M16	13	3	1.3	3	27	26	12	8	15	16000	496
409160	LMD.F-SL-80-M20x75-TV	80	75	19	70	M20	13	3	1.3	3	27	26	15	10	15	20000	432
409152	LMD.F-SL-80-M20x100-TV	80	100	19	70	M20	13	3	1.3	3	27	26	15	10	15	20000	482
409154	LMD.F-SL-80-M20x125-TV	80	125	19	70	M20	13	3	1.3	3	27	26	15	10	15	20000	537
409156	LMD.F-SL-80-M20x150-TV	80	150	19	70	M20	13	3	1.3	3	27	26	15	10	15	20000	581
409158	LMD.F-SL-80-M20x200-TV	80	200	19	70	M20	13	3	1.3	3	27	26	15	10	15	20000	693
409163	LMD.F-SL-80-M24x100-TV	80	100	22	70	M24	13	3	1.3	3	27	26	19	12	15	24000	628
409165	LMD.F-SL-80-M24x125-TV	80	125	22	70	M24	13	3	1.3	3	27	26	19	12	15	24000	697
409167	LMD.F-SL-80-M24x150-TV	80	150	22	70	M24	13	3	1.3	3	27	26	19	12	15	24000	778
409169	LMD.F-SL-80-M24x200-TV	80	200	22	70	M24	13	3	1.3	3	27	26	19	12	15	24000	907



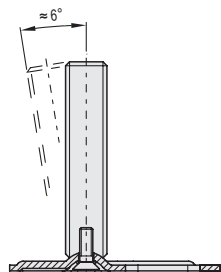
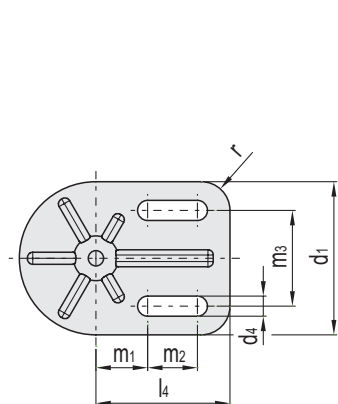
LMD.F-2SL (d2)

Codice	Descrizione	d1	l	l4	d2	d4	h1	h2	m1	m2	m3	s	r	t	Carico statico limite max.* [N]	⚖️
409243	LMD.F-2SL-80-M8	80	26	70	M8	10.5	3	1.3	27	26	50	14	15	8	8000	217
409253	LMD.F-2SL-80-M10	80	29	70	M10	10.5	3	1.3	27	26	50	14	15	10	10000	215
409265	LMD.F-2SL-80-M12	80	32	70	M12	10.5	3	1.3	27	26	50	17	15	12	12000	218
409277	LMD.F-2SL-80-M16	80	38	70	M16	10.5	3	1.3	27	26	50	22	15	16	16000	247
409291	LMD.F-2SL-80-M20	80	45	70	M20	10.5	3	1.3	27	26	50	27	15	20	20000	312

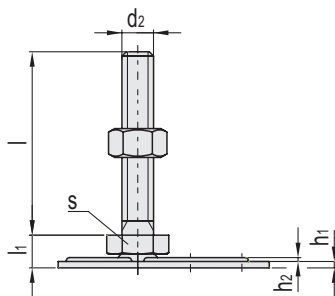
LMD.F-2SL-TV (d2)

Codice	Descrizione	d1	l	l4	d2	d4	h1	h2	h3	m1	m2	m3	s	r	t	Carico statico limite max.* [N]	⚖️
409244	LMD.F-2SL-80-M8-TV	80	26	70	M8	10.5	3	1.3	3	27	26	50	14	15	8	8000	225
409254	LMD.F-2SL-80-M10-TV	80	29	70	M10	10.5	3	1.3	3	27	26	50	14	15	10	10000	221
409266	LMD.F-2SL-80-M12-TV	80	32	70	M12	10.5	3	1.3	3	27	26	50	17	15	12	12000	240
409278	LMD.F-2SL-80-M16-TV	80	38	70	M16	10.5	3	1.3	3	27	26	50	22	15	16	16000	273
409292	LMD.F-2SL-80-M20-TV	80	45	70	M20	10.5	3	1.3	3	27	26	50	27	15	20	20000	335

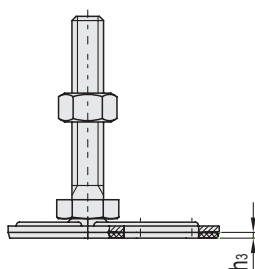
- 1
- 2
- 3
- 4
- 5
- 6
- 7
- 8
- 9
- 10
- 11
- 12
- 13
- 14
- 15
- 16
- 17
- 18
- 19



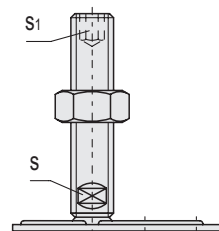
LMD.F-2SL-SST  
(M8 - M10 - M12)



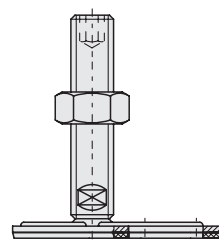
LMD.F-2SL-SST-TV  
(M8 - M10 - M12)



LMD.F-2SL-SST  
(M16 - M20 - M24)

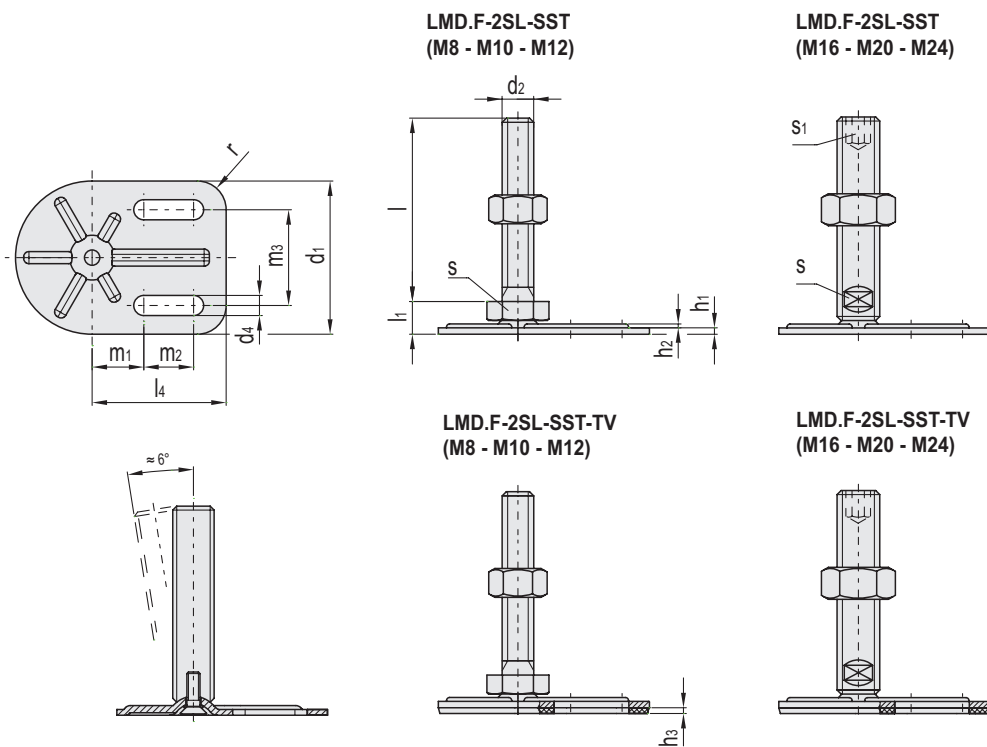


LMD.F-2SL-SST-TV  
(M16 - M20 - M24)



LMD.F-2SL (d2 - l)

Codice	Descrizione	d1	l	l1	l4	d2	d4	h1	h2	m1	m2	m3	s	s1	r	Carico statico limite max.* [N]	
409245	LMD.F-2SL-80-M8x40	80	40	12	70	M8	10.5	3	1.3	27	26	50	17	-	15	8000	206
409247	LMD.F-2SL-80-M8x50	80	50	12	70	M8	10.5	3	1.3	27	26	50	17	-	15	8000	202
409249	LMD.F-2SL-80-M8x63	80	63	12	70	M8	10.5	3	1.3	27	26	50	17	-	15	8000	206
409257	LMD.F-2SL-80-M10x50	80	50	12	70	M10	10.5	3	1.3	27	26	50	17	-	15	10000	224
409259	LMD.F-2SL-80-M10x60	80	60	12	70	M10	10.5	3	1.3	27	26	50	17	-	15	10000	228
409261	LMD.F-2SL-80-M10x80	80	80	12	70	M10	10.5	3	1.3	27	26	50	17	-	15	10000	250
409255	LMD.F-2SL-80-M10x100	80	100	12	70	M10	10.5	3	1.3	27	26	50	17	-	15	10000	250
409269	LMD.F-2SL-80-M12x60	80	60	12	70	M12	10.5	3	1.3	27	26	50	17	-	15	12000	258
409271	LMD.F-2SL-80-M12x80	80	80	12	70	M12	10.5	3	1.3	27	26	50	17	-	15	12000	273
409273	LMD.F-2SL-80-M12x100	80	100	12	70	M12	10.5	3	1.3	27	26	50	17	-	15	12000	276
409267	LMD.F-2SL-80-M12x125	80	125	12	70	M12	10.5	3	1.3	27	26	50	17	-	15	12000	292
409280	LMD.F-2SL-80-M16x75	80	75	18	70	M16	10.5	3	1.3	27	26	50	12	8	15	16000	313
409282	LMD.F-2SL-80-M16x100	80	100	18	70	M16	10.5	3	1.3	27	26	50	12	8	15	16000	346
409279	LMD.F-2SL-80-M16x125	80	125	18	70	M16	10.5	3	1.3	27	26	50	12	8	15	16000	379
409285	LMD.F-2SL-80-M16x150	80	150	18	70	M16	10.5	3	1.3	27	26	50	12	8	15	16000	401
409287	LMD.F-2SL-80-M16x200	80	200	18	70	M16	10.5	3	1.3	27	26	50	12	8	15	16000	461
409293	LMD.F-2SL-80-M20x75	80	75	19	70	M20	10.5	3	1.3	27	26	50	15	10	15	20000	398
409295	LMD.F-2SL-80-M20x100	80	100	19	70	M20	10.5	3	1.3	27	26	50	15	10	15	20000	456
409297	LMD.F-2SL-80-M20x125	80	125	19	70	M20	10.5	3	1.3	27	26	50	15	10	15	20000	498
409302	LMD.F-2SL-80-M20x150	80	150	19	70	M20	10.5	3	1.3	27	26	50	15	10	15	20000	547
409300	LMD.F-2SL-80-M20x200	80	200	19	70	M20	10.5	3	1.3	27	26	50	15	10	15	20000	661
409305	LMD.F-2SL-80-M24x100	80	100	22	70	M24	10.5	3	1.3	27	26	50	19	12	15	24000	591
409307	LMD.F-2SL-80-M24x125	80	125	22	70	M24	10.5	3	1.3	27	26	50	19	12	15	24000	663
409309	LMD.F-2SL-80-M24x150	80	150	22	70	M24	10.5	3	1.3	27	26	50	19	12	15	24000	735
409311	LMD.F-2SL-80-M24x200	80	200	22	70	M24	10.5	3	1.3	27	26	50	19	12	15	24000	873



LMD.F-2SL-TV (d2 - l)

Codice	Descrizione	d1	l	l1	l4	d2	d4	h1	h2	h3	m1	m2	m3	s	s1	r	Carico statico limite max.* [N]	⚖️
409246	LMD.F-2SL-80-M8x40-TV	80	40	12	70	M8	10.5	3	1.3	3	27	26	50	17	-	15	8000	225
409248	LMD.F-2SL-80-M8x50-TV	80	50	12	70	M8	10.5	3	1.3	3	27	26	50	17	-	15	8000	228
409250	LMD.F-2SL-80-M8x63-TV	80	63	12	70	M8	10.5	3	1.3	3	27	26	50	17	-	15	8000	238
409258	LMD.F-2SL-80-M10x50-TV	80	50	12	70	M10	10.5	3	1.3	3	27	26	50	17	-	15	10000	248
409260	LMD.F-2SL-80-M10x60-TV	80	60	12	70	M10	10.5	3	1.3	3	27	26	50	17	-	15	10000	267
409262	LMD.F-2SL-80-M10x80-TV	80	80	12	70	M10	10.5	3	1.3	3	27	26	50	17	-	15	10000	259
409256	LMD.F-2SL-80-M10x100-TV	80	100	12	70	M10	10.5	3	1.3	3	27	26	50	17	-	15	10000	286
409270	LMD.F-2SL-80-M12x60-TV	80	60	12	70	M12	10.5	3	1.3	3	27	26	50	17	-	15	12000	271
409272	LMD.F-2SL-80-M12x80-TV	80	80	12	70	M12	10.5	3	1.3	3	27	26	50	17	-	15	12000	286
409274	LMD.F-2SL-80-M12x100-TV	80	100	12	70	M12	10.5	3	1.3	3	27	26	50	17	-	15	12000	313
409268	LMD.F-2SL-80-M12x125-TV	80	125	12	70	M12	10.5	3	1.3	3	27	26	50	17	-	15	12000	335
409281	LMD.F-2SL-80-M16x75-TV	80	75	18	70	M16	10.5	3	1.3	3	27	26	50	12	8	15	16000	332
409283	LMD.F-2SL-80-M16x100-TV	80	100	18	70	M16	10.5	3	1.3	3	27	26	50	12	8	15	16000	364
409284	LMD.F-2SL-80-M16x125-TV	80	125	18	70	M16	10.5	3	1.3	3	27	26	50	12	8	15	16000	396
409286	LMD.F-2SL-80-M16x150-TV	80	150	18	70	M16	10.5	3	1.3	3	27	26	50	12	8	15	16000	436
409288	LMD.F-2SL-80-M16x200-TV	80	200	18	70	M16	10.5	3	1.3	3	27	26	50	12	8	15	16000	505
409294	LMD.F-2SL-80-M20x75-TV	80	75	19	70	M20	10.5	3	1.3	3	27	26	50	15	10	15	20000	425
409296	LMD.F-2SL-80-M20x100-TV	80	100	19	70	M20	10.5	3	1.3	3	27	26	50	15	10	15	20000	475
409298	LMD.F-2SL-80-M20x125-TV	80	125	19	70	M20	10.5	3	1.3	3	27	26	50	15	10	15	20000	529
409299	LMD.F-2SL-80-M20x150-TV	80	150	19	70	M20	10.5	3	1.3	3	27	26	50	15	10	15	20000	580
409301	LMD.F-2SL-80-M20x200-TV	80	200	19	70	M20	10.5	3	1.3	3	27	26	50	15	10	15	20000	665
409306	LMD.F-2SL-80-M24x100-TV	80	100	22	70	M24	10.5	3	1.3	3	27	26	50	19	12	15	24000	621
409308	LMD.F-2SL-80-M24x125-TV	80	125	22	70	M24	10.5	3	1.3	3	27	26	50	19	12	15	24000	688
409310	LMD.F-2SL-80-M24x150-TV	80	150	22	70	M24	10.5	3	1.3	3	27	26	50	19	12	15	24000	761
409312	LMD.F-2SL-80-M24x200-TV	80	200	22	70	M24	10.5	3	1.3	3	27	26	50	19	12	15	24000	874



Piedini di livellamento e supporti