

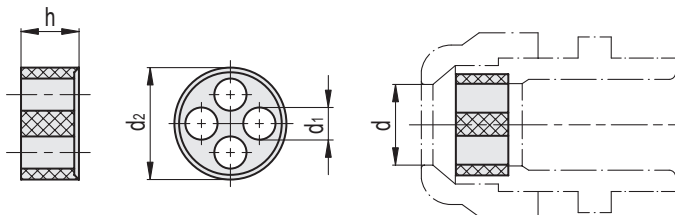
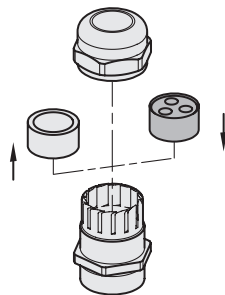
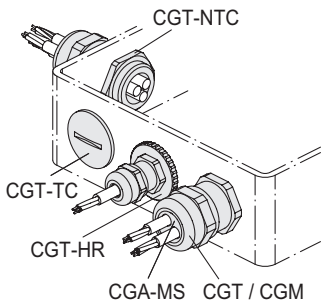
- 1
 - 2
 - 3
 - 4
 - 5
 - 6
 - 7
 - 8
 - 9
 - 10
 - 11
 - 12
 - 13
 - 14
 - 15
 - 16
 - 17
 - 18
 - 19
- Elementi meccanici
- 2

MATERIALE

Elastomero termoplastico (TPE).

CARATTERISTICHE E APPLICAZIONI

Vengono utilizzati in alternativa agli inserti di tenuta presenti nei pressacavi quando vi è la necessità di far passare più cavi all'interno dello stesso pressacavo; questi possono essere usati indistintamente sia con i pressacavi in tecnopolimero CGT che con i pressavi in metallo CGM.



Codice	Description	d	d1	d2	h	Numero di fori	Per pressacavi	⚖
561101	CGA-MS-11-3-2-TPE	8	3	10.6	7.5	2	CGT-8 / CGM-8	1
561103	CGA-MS-11-2-3-TPE	8	2	10.6	7.5	3	CGT-8 / CGM-8	1
561105	CGA-MS-11-2-4-TPE	8	2	10.6	7.5	4	CGT-8 / CGM-8	1
561107	CGA-MS-11-3-4-TPE	8	3	10.6	7.5	4	CGT-8 / CGM-8	1
561109	CGA-MS-13-4-2-TPE	10	4	13.3	8.5	2	CGT-10 / CGM-10	1
561111	CGA-MS-13-5-2-TPE	10	5	13.3	8.5	2	CGT-10 / CGM-10	1
561113	CGA-MS-13-4-3-TPE	10	4	13.3	8.5	3	CGT-10 / CGM-10	1
561115	CGA-MS-13-5-3-TPE	10	5	13.3	8.5	3	CGT-10 / CGM-10	1
561117	CGA-MS-15-5-2-TPE	12	5	15.3	8.5	2	CGT-12 / CGM-12	5
561119	CGA-MS-15-6-2-TPE	12	6	15.3	8.5	2	CGT-12 / CGM-12	2
561121	CGA-MS-15-4-3-TPE	12	4	15.3	8.5	3	CGT-12 / CGM-12	1
561123	CGA-MS-15-5-3-TPE	12	5	15.3	8.5	3	CGT-12 / CGM-12	1
561125	CGA-MS-17-4-2-TPE	14	4	17.4	9	2	CGT-14 / CGM-14	5
561127	CGA-MS-17-6-2-TPE	14	6	17.4	9	2	CGT-14 / CGM-14	2
561129	CGA-MS-17-4-3-TPE	14	4	17.4	9	3	CGT-14 / CGM-14	2
561131	CGA-MS-17-6-3-TPE	14	6	17.4	9	3	CGT-14 / CGM-14	5
561133	CGA-MS-17-5-4-TPE	14	5	17.4	9	4	CGT-14 / CGM-14	5
561135	CGA-MS-17-6-4-TPE	14	6	17.4	9	4	CGT-14 / CGM-14	1
561137	CGA-MS-17-4-5-TPE	14	4	17.4	9	5	CGT-14 / CGM-14	2
561157	CGA-MS-20-6-2-TPE	17	6	19.8	9.3	2	CGT-17 / CGM-17	3
561159	CGA-MS-20-8-2-TPE	17	8	19.8	9.3	2	CGT-17 / CGM-17	2
561161	CGA-MS-20-6-3-TPE	17	6	19.8	9.3	3	CGT-17 / CGM-17	2
561139	CGA-MS-22-7-2-TPE	18	7	22.2	11	2	CGT-18 / CGM-18	5
561141	CGA-MS-22-8-2-TPE	18	8	22.2	11	2	CGT-18 / CGM-18	5
561143	CGA-MS-22-9-2-TPE	18	9	22.2	11	2	CGT-18 / CGM-18	3
561145	CGA-MS-22-7-3-TPE	18	7	22.2	11	3	CGT-18 / CGM-18	3
561147	CGA-MS-22-8-3-TPE	18	8	22.2	11	3	CGT-18 / CGM-18	3
561149	CGA-MS-22-5-4-TPE	18	5	22.2	11	4	CGT-18 / CGM-18	5
561151	CGA-MS-22-7-4-TPE	18	7	22.2	11	4	CGT-18 / CGM-18	5
561163	CGA-MS-25-7-4-TPE	21	7	25.1	13	4	CGT-21 / CGM-21	5
561165	CGA-MS-25-8-4-TPE	21	8	25.1	13	4	CGT-21 / CGM-21	3
561167	CGA-MS-25-6-6-TPE	21	6	25.1	13	6	CGT-21 / CGM-21	4
561153	CGA-MS-30-8-5-5-TPE	25	8.5	29.8	13	5	CGT-25 / CGM-25	6
561155	CGA-MS-30-5-8-TPE	25	5	29.8	13	8	CGT-25 / CGM-25	8