

**MATERIAL**

High-strength, reinforced phenolic based (PF) Duroplast, black colour, glossy finish.

**RING**

Matte anodised aluminium.  
(ELESAs Original design - Reg. U.S. Pat. & TM Off.)

**STANDARD EXECUTION**

Safety coupling bushing with "Pull-coupling" assembly GN 000.5 (see page 117) hardened steel with ground sliding surfaces, reamed assembly hole and keyway in compliance with DIN 6885/2 tolerance P9 (see page A-15).  
Revolving handle I.301+x (see page 574) in Duroplast.

**SPECIAL EXECUTIONS ON REQUEST**

These handwheels can be supplied with "Push-coupling". By inserting the bushing the other way round, the handwheel operates opposite to the standard way.

**INSTRUCTIONS OF USE**

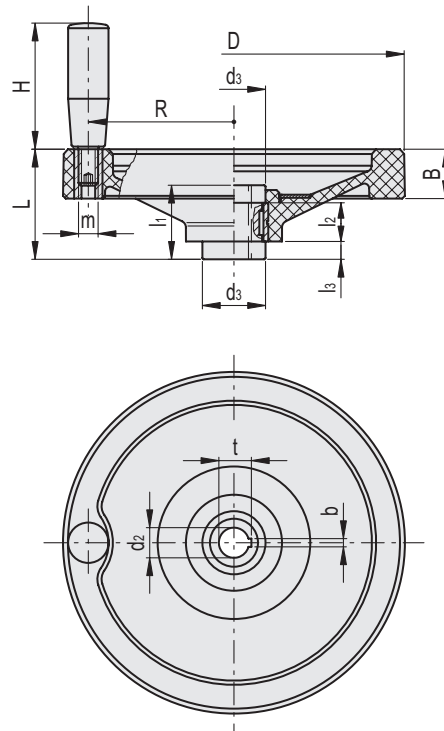
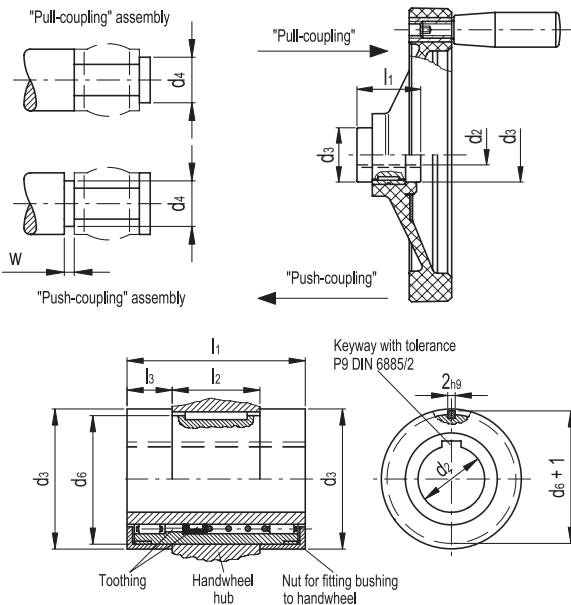
Safety handwheels are designed in accordance with accident prevention rules: in case of push or accidental pressure when the machine is operating, the handwheel is disengaged and is in the rest position. Only by "Pulling" the handwheel parallel to the axis can the shaft operate: the two toothed elements inside the bushing fit into each other in order to couple the handwheel to the shaft. The handwheel returns automatically to its rest position when it is released after the operation.

**ERGONOMY**

The rim with internal rear scallops makes the grip and the manoeuvre of the handwheel easier.



ELESAs Original design



| Code  | Description       | D   | d2 H7 | L  | B  | d3 | d4 max | d6       | l1 | l2 ±0.2 | l3 | H  | m   | R    | wmin | t    | b | ⚖    |
|-------|-------------------|-----|-------|----|----|----|--------|----------|----|---------|----|----|-----|------|------|------|---|------|
| 73728 | VDN.125 FP+I+ST12 | 125 | 12    | 58 | 28 | 29 | 17     | 25 -0.05 | 42 | 18      | 12 | 65 | M8  | 50   | 4    | 13.1 | 4 | 465  |
| 73738 | VDN.150 FP+I+ST14 | 150 | 14    | 67 | 30 | 33 | 21     | 29 -0.05 | 48 | 20      | 14 | 65 | M8  | 62   | 4    | 15.3 | 5 | 650  |
| 73748 | VDN.175 FP+I+ST14 | 175 | 14    | 69 | 32 | 33 | 21     | 29 -0.05 | 48 | 20      | 14 | 80 | M10 | 72.5 | 4    | 15.3 | 5 | 810  |
| 73758 | VDN.200 FP+I+ST18 | 200 | 18    | 72 | 32 | 39 | 26     | 35 -0.05 | 50 | 24      | 13 | 90 | M10 | 82   | 4    | 19.7 | 6 | 1220 |
| 73778 | VDN.250 FP+I+ST22 | 249 | 22    | 82 | 36 | 46 | 30     | 41 -0.05 | 54 | 28      | 13 | 90 | M10 | 106  | 4    | 23.7 | 6 | 1670 |

