



**CLAMP**

Glass-fibre reinforced polyamide based (PA) technopolymer, RAL 5005 blue colour, matte finish.



Produced from FDA compliant raw material (FDA CFR.21 and EU 10/2011).



**SCREW AND NUT (SUPPLIED)**

Cylindrical-head screws with hexagon socket in AISI 304 stainless steel with anti-seizure treatment.



Self-locking nut in AISI 304 stainless steel.



**FEATURES AND APPLICATIONS**

Clamps for tubes with a diameter of  $18 \pm 0.2$  and  $30 \pm 0.2$  mm.



For smaller diameter tubes, the hole reduction sleeve TCC-A can be used (ordered separately).



The "s" grub screw may be replaced by the kit TCC-KS.



The RAL 5005 blue colour is easily visible in case of accidental food contamination.



Particularly suitable for applications in the food and pharmaceutical industries.



**TECHNICAL DATA**

The resistance values shown in the table were measured during laboratory tests at ambient temperature with the screws tightened to the suggested torque "C#".

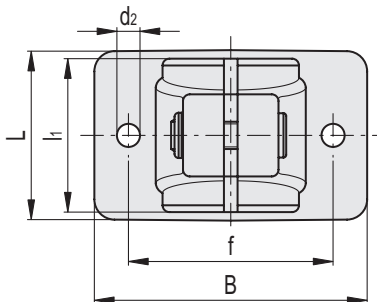
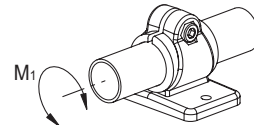
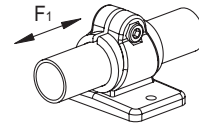
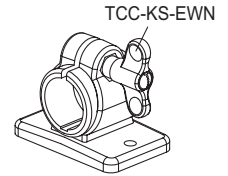
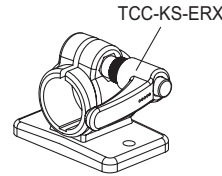
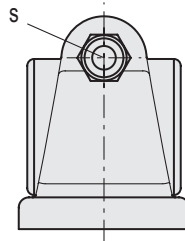
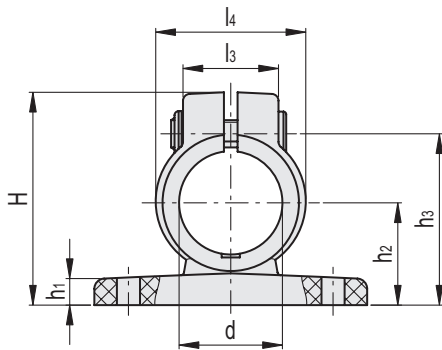


**ACCESSORIES ON REQUEST (TO BE ORDERED SEPARATELY)**

- TCC-A (see page -): reduction sleeves.
- TCC-KS (see page -): clamping kit.
- TCC-KV (see page -): screws and clamping nuts.
- GN 990 (see page -): connecting tubes.



ELESA Original design



Code	Description	d	L	B	H	d2	f ±0.2	h1	h2	l3	l4	s	C# [Nm]	F1* [N]	M1** [Nm]	⚖️
191141	TCC-TB-18-VD	18	34.5	52	41	5.3	40	5	18	21	29	M6	5	1450	16	29
191241	TCC-TB-30-VD	30	49.5	80	61.5	6.5	60	8	30	27	44	M8	12	1800	27	84

# Suggested torque for screw assembly.

\* Resistance to tube pull out

\*\* Resistance to tube rotation