

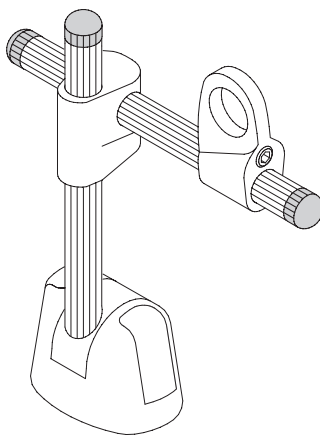
- 1
- 2
- 3
- 4
- 5
- 6
- 7
- 8
- 9
- 10
- 11
- 12**
- 13
- 14
- 15
- 16
- 17
- 18
- 19

**MATERIAL**

Glass-fibre reinforced polyamide based (PA) technopolymer, matte finish.

**ASSEMBLY**

Press-fit assembly.



Code	Description	Closing caps for	
440016	TC13-MSR.60	MSR.60-T13	1