

T.240

Oil plugs

Duroplast



MATERIAL

Phenolic based (PF) Duroplast, black colour, glossy finish.

PACKING RING

NBR synthetic rubber.

MAXIMUM CONTINUOUS WORKING TEMPERATURE

100°C.

T.240+a

Oil plugs

with flat dipstick, Duroplast



MATERIAL

Phenolic based (PF) Duroplast, black colour, glossy finish.

PACKING RING

NBR synthetic rubber.

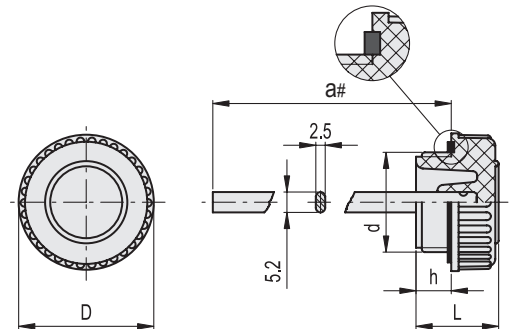
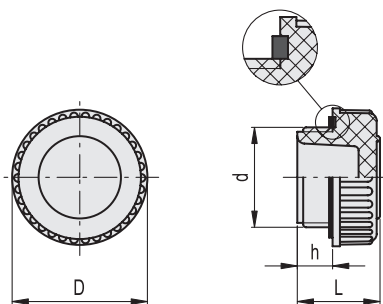
FLAT DIPSTICK

Flat section phosphatised steel.

On request and for sufficient quantities dipstick can be supplied in different lengths and/or complete with MAX-MIN level lines.

MAXIMUM CONTINUOUS WORKING TEMPERATURE

100°C.



T.240

Code	Description	d	h	D	L	⚖️
57101	T.240-1/4	G 1/4	8	22	18	6
57201	T.240-3/8	G 3/8	9	26	21	10
57301	T.240-1/2	G 1/2	10	32	24	16
57401	T.240-3/4	G 3/4	10	39	25	23
57601	T.240-1	G 1	12	45	28	35
57801	T.240-1¼	G 1 1/4	12	55	31	60
57901	T.240-1½	G 1 1/2	12	61	34	80

T.240+a

Code	Description	D	d	a#	h	L	⚖️
57111	T.240-1/4+a	22	G 1/4	195	8	18	27
57211	T.240-3/8+a	26	G 3/8	195	9	21	39
57311	T.240-1/2+a	32	G 1/2	195	10	24	39
57411	T.240-3/4+a	39	G 3/4	190	10	25	53
57611	T.240-1+a	45	G 1	190	12	28	64
57811	T.240-1¼+a	55	G 1 1/4	190	12	31	86
57911	T.240-1½+a	61	G 1 1/2	185	12	34	105

You can choose lengths other than the standard option and/or add MAX-MIN level markings. To request customization, select an item and follow the wizard on the web.