

- 1
- 2
- 3
- 4
- 5
- 6
- 7
- 8
- 9
- 10
- 11
- 12
- 13
- 14
- 15
- 16
- 17
- 18



MATERIAL

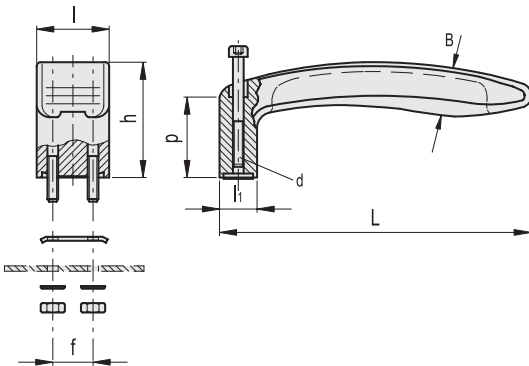
Glass-fibre reinforced polyamide based (PA) technopolymer.

COLOUR

Black, matte finish.

STANDARD EXECUTION

Pass-through holes for AISI 304 stainless steel screws with hexagon socket, nuts, washers and plate included in the supply.



Code	f	L	p	d	B	h	l	l1	Δ
RHKW-30.017.84	17	128	33	M5x45	20	48	30	18	107
RHKW-36.020.84	20	154	40	M6x55	24	58	36	22	186



MATERIAL

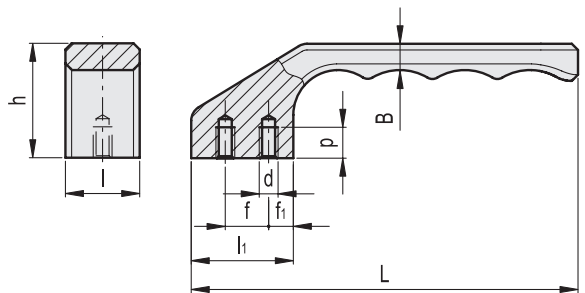
Ground anodised aluminium, semi-matte finish.

STANDARD EXECUTIONS

- Threaded blind holes.
- **RHAH-11**: natural colour.
- **RHAH-14**: black colour.

SPECIAL EXECUTIONS ON REQUEST

- Different colours.
- Executions with pass-through holes for front fixing.



RHAH-11

Code	f	L	d	p	f1	B	h	l	l1	Δ
RHAH-14.R125.11	14	125	M5	10	8	8.5	37	24	33	107
RHAH-20.R165.11	20	165	M8	16	10	11.5	47	30	44	224

RHAH-14

Code	f	L	d	p	f1	B	h	l	l1	Δ
RHAH-14.R125.14	14	125	M5	10	8	8.5	37	24	33	107
RHAH-20.R165.14	20	165	M8	16	10	11.5	47	30	44	224