

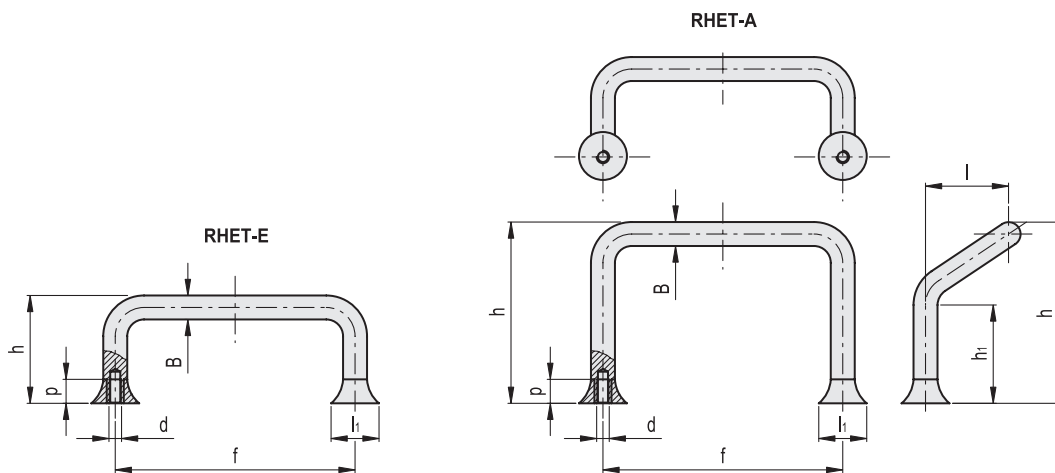
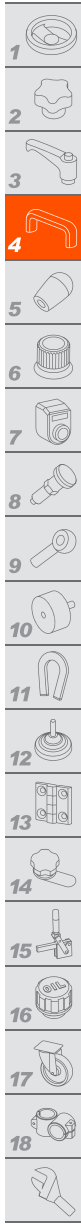
MATERIAL

AISI 303 stainless steel, ground surface, semi-matte finish.

STANDARD EXECUTIONS

Threaded blind holes for AISI 304 stainless steel screws and washers, included in the supply.

- **RHET-E:** bridge-shaped.
- **RHET-A:** double-curved.



RHET-E

INOX STAINLESS STEEL

Code	f	d	p	B	h	l1	⚖️
RHET-10.E100.31	100	M5	10	10	45	20	111
RHET-10.E120.31	120	M5	10	10	45	20	127
RHET-15.E120.31	120	M6	12	15	60	30	321
RHET-15.E140.31	140	M6	12	15	60	30	338
RHET-15.E200.31	200	M6	12	15	60	30	430

RHET-A

INOX STAINLESS STEEL

Code	f	d	p	B	h	h1	l	l1	⚖️
RHET-10.A100.31	100	M5	10	10	75	40	35	20	147
RHET-10.A120.31	120	M5	10	10	75	40	35	20	180