

MATERIAL

AISI 304 stainless steel tube, ground and brushed surface with a high resistance to strong impacts and scratches.

STANDARD EXECUTIONS

AISI 303 stainless steel tapped bosses for M10x30 cylindrical-head screws with hexagon socket and AISI 303 stainless steel washers, included in the supply.

- **RHER-A:** double-curved handle.
- **RHER-D:** angular handle.
- **RHER-S:** U-shaped handle.

ACCESSORIES ON REQUEST

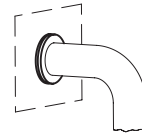
AISI 304 stainless steel collar with plastic washer (RHER-33.0050.RO).

SPECIAL EXECUTIONS ON REQUEST

- Different lengths.
- Version for assembly in pairs opposed to each other.
- Version with adaptable boss.



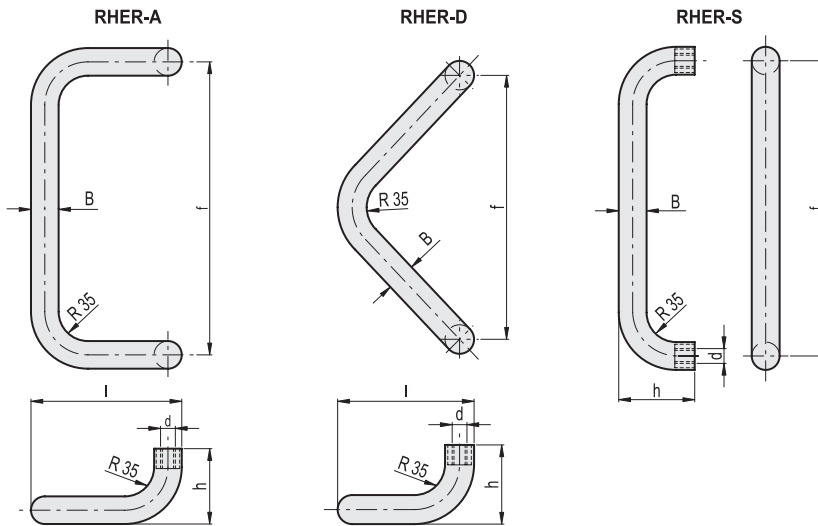
Application example with collar and washer



RHER-RO



Code	Diameter	⚖️
RHER-33.0050.RO	50x1.5	21



RH-ER-A



Code	f	d	B	h	l	⚖️
RHER-33.A350.EG	350	M10	33	90	180	1227
RHER-33.A500.EG	500	M10	33	90	180	1048

RH-ER-D



Code	f	d	B	h	l	⚖️
RHER-33.D300.EG	300	M10	33	90	155	1008

RH-ER-S



Code	f	d	B	h	⚖️
RHER-33.S350.EG	350	M10	33	90	1015
RHER-33.S500.EG	500	M10	33	90	1010

