

RH-EE-02 | Folding handle with recessed tray

Stainless steel



MATERIAL

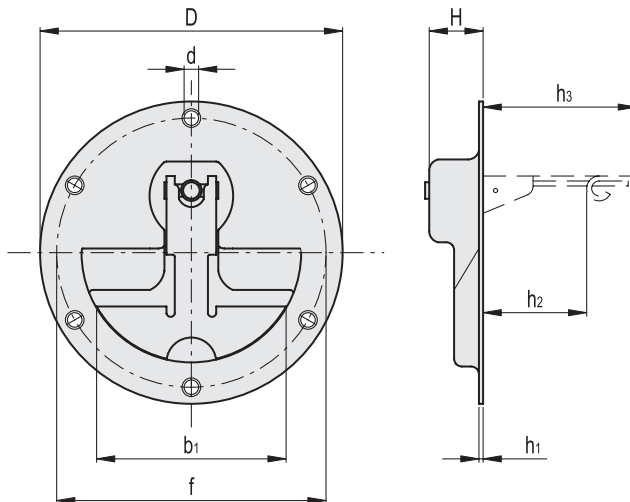
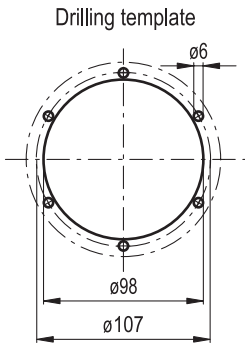
AISI 304 stainless steel with electropolished finish.
Handle with return spring from work to rest position.

STANDARD EXECUTION

Pass-through holes for M5 countersunk-head screws.

APPLICATIONS

RH-EE-02 series flush pull handles are generally used on devices where it is requested to save space.



Code	D	f	b ₁	H	h ₁	h ₂	h ₃	d	⚖️
RHEE-02.R120.39	120	107	75	20	1.5	40	62	5.5	214