

- 1
- 2
- 3
- 4
- 5
- 6
- 7
- 8
- 9
- 10
- 11
- 12
- 13
- 14
- 15
- 16
- 17
- 18
- 19

**MATERIAL**

- Mount: polyamide based (PA) technopolymer with NBR synthetic rubber packing ring.
- Flange: zinc-plated steel, bayonet with NBR synthetic rubber flat washer.
- Basket: polypropylene based (PP) technopolymer.

**COLOUR**

Black, matte finish.

**MOUNTING**

Flange and basket are fitted to the mount by means of six zinc-plated steel self-tapping screws TC-N10 (Ø 4.8x19) UNI 6951-DIN 7971, supplied.  
 The mount is fitted to the reservoir by means of seven M6 screws and relative washers (not supplied).  
 Maximum recommended tightening torque: 8 Nm.

**NOTE**

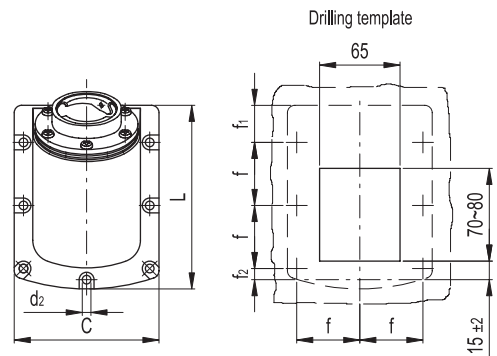
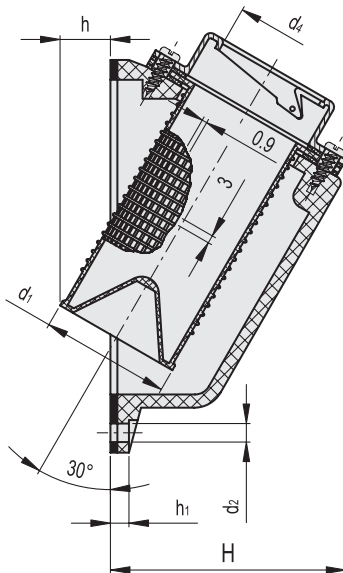
The breather cap to be coupled to the flange is not included in the supply and has to be ordered separately.  
 Depending on the customer's requirements, can be used breather caps type SFN. (see page 1534), SFP. (see page 1538), SFW. (see page 1548).

**SPECIAL EXECUTIONS ON REQUEST**

Mount with bayonet flange without basket (PLRB).



ELESA Original design



Code	Description	L	C	H	d1	d2	d4	h	h1	f	f1	f2	⚖
49401	PLRB+C	148.5	117	90	49	7	39	18	7	51	30	9	355