

- 1
- 2
- 3
- 4
- 5
- 6
- 7
- 8
- 9
- 10
- 11
- 12
- 13
- 14
- 15
- 16
- 17
- 18

MATERIAL

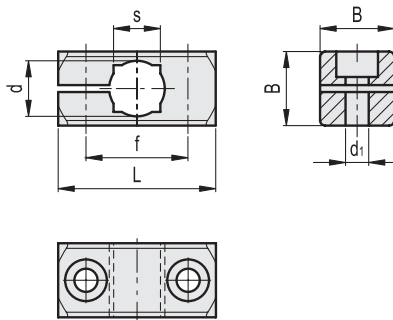
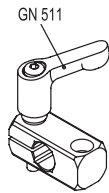
Aluminium.

STANDARD EXECUTIONS

- **MSM-I-ANB**: anodised aluminium, black colour.
- **MSM-I-MT**: natural aluminium, matte finish.

KEY TO TABLE DIMENSIONS

d = hole diameter for shaft tolerance h11.
 d1 = clamping screws which can be replaced with clamping kit type GN 511 (see page 924).
 f = fixing holes centre distance: it allows matching and fixing to magnetic bases MSM-RM (see page 915).



MSM-I-ANB

Code	Description	d	d1	L	B	f	s	d1 Clamping kit	⚖️
500301	MSM-I-8-ANB	8	M4	31.5	14	22	-	GN 511-M4-20	11
500305	MSM-I-10-ANB	10	M5	38	16	27	8	GN 511-M5-25	18
500309	MSM-I-12-ANB	12	M5	38	16	27	10	GN 511-M5-25	20
500313	MSM-I-15-ANB	15	M6	45	20	32	12	GN 511-M6-25	31
500317	MSM-I-16-ANB	16	M6	45	20	32	-	GN 511-M6-25	29
500321	MSM-I-20-ANB	20	M6	50	25	36	16	GN 511-M6-32	52

MSM-I-MT

Code	Description	d	d1	L	B	f	s	d1 Clamping kit	⚖️
500303	MSM-I-8-MT	8	M4	31.5	14	22	-	GN 511-M4-20	11
500307	MSM-I-10-MT	10	M5	38	16	27	8	GN 511-M5-25	18
500311	MSM-I-12-MT	12	M5	38	16	27	10	GN 511-M5-25	37
500315	MSM-I-15-MT	15	M6	45	20	32	12	GN 511-M6-25	40
500319	MSM-I-16-MT	16	M6	45	20	32	-	GN 511-M6-25	29
500323	MSM-I-20-MT	20	M6	50	25	36	16	GN 511-M6-32	52

Levelling feet and supports