

- 1
- 2
- 3
- 4
- 5
- 6
- 7
- 8
- 9
- 10
- 11
- 12
- 13
- 14
- 15
- 16
- 17
- 18

**MATERIAL**

Phenolic based (PF) Duroplast, black colour, glossy finish.  
White pad-printed pointer, placed at 180° from the transversal grub screw.

**STANDARD EXECUTION**

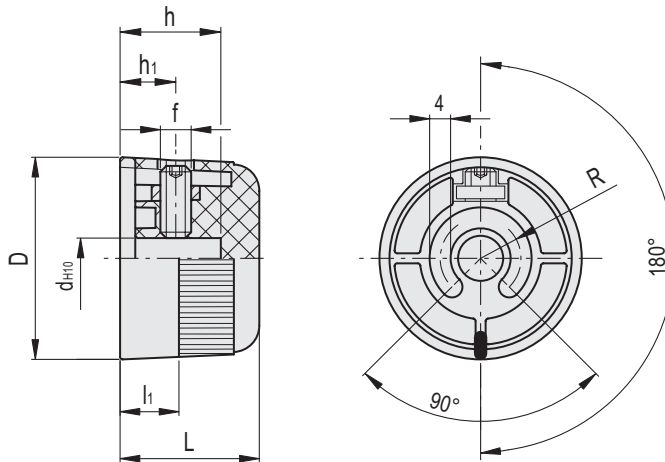
Plain blind hole, assembly by means of a trasversal grub screw according to UNI 5929-85 in AISI 304 stainless steel (grub screw with hexagonal socket and cup end) which screws into the AISI 304 stainless steel nut.  
Supplied.

**FEATURES**

A limited manoeuvre angle is possible by fitting stop pins in the rear guide slot.



ELESA Original design



Code	Description	D	dH10	L	l1	h	h1	f	R	
66861	MI.304/35 N-6	35	6	24.5	10	18	11	M5	6.2	19
66863	MI.304/40 N-8	40	8	27.5	11.5	20	11	M5	8	28
66865	MI.304/45 N-8	46	8	29.5	12.5	21.5	11	M5	8.4	39