

MATERIAL

Glass-fibre reinforced polyamide based (PA) technopolymer, black colour, glossy finish.

BOSS CAP

ECA-IZN.381: acetate resin based (POM) technopolymer, in the Elecolors colours, push-fit assembly, removable by pressing on the outer edge (ELESA original design).

Available also as accessory sold separately (see table).

Wording, brands, graphic symbols, etc. can be pad printed on the surface.

STANDARD EXECUTIONS

Black-oxide steel boss, H7 reamed hole.

Assembly with grub screw, without head, with hexagon socket in black-oxide steel; supplied already assembled.

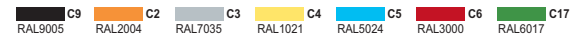
- **IZN.381**: plain knob.
- **IZN.381+K**: knob with matte anodised aluminium flange, triangular black index.
- **IZN.381+FGS**: knob with matte anodised aluminium flange, black graduation (marks and numbers).
 - FGS 10/40 = 40 marks, numbering from 0 to 9 increases as the knob is turned clockwise.
 - FGS 10/100 = 100 marks, numbering from 0 to 9 increases as the knob is turned clockwise.

For other numbering (see Graduations on page -).

ACCESSORIES ON REQUEST

Ball and spring for clicking operation to be fitted in the assembly hole for knobs with diameter $D \geq 48$ mm, available only for IZN.381, (see ball and spring MS. on page -).

By adjusting the housing unit (unit made pass-through and threaded), facilitated by the presence of a pre-drilled hole in the top part of the knob, it is possible to use GN 615 ball and spring plungers (neutral execution) and GN 616 bolt spring plungers (knob with flange) to calibrate the pressure of the positioning element.



ECA-IZN.381

| Code | Description | Caps for |
|---------|------------------|------------|
| 29901-* | ECA.IZN.381/32-* | IZN.381/32 |
| 29906-* | ECA.IZN.381/40-* | IZN.381/40 |
| 29911-* | ECA.IZN.381/45-* | IZN.381/45 |
| 29916-* | ECA.IZN.381/50-* | IZN.381/50 |
| 29921-* | ECA.IZN.381/63-* | IZN.381/63 |

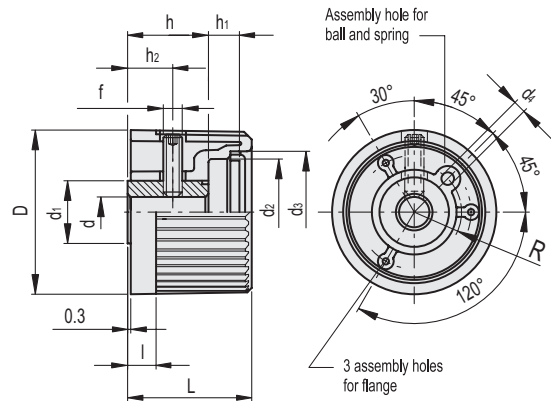
* Complete with colour index (C9, ..., C17).



ELESA Original design



IZN.381



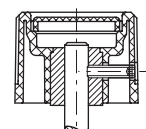
* Complete with colour index, example: 30701-C2 IZN.381/32 A-6-C2



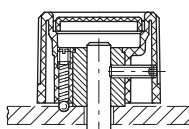
IZN.381

| Code | Description | D | dH7 | L | l | d1 | d2 | d3 | d4 | h | h1 | h2 | f | R | ⚖️ |
|---------|-------------------|------|-----|------|-----|----|------|------|----|------|------|------|----|------|-------|
| 30701-* | IZN.381/32 A-6-* | 32 | 6 | 26.5 | 5 | 15 | 19.5 | 21.5 | - | 16 | 6. | 9 | M4 | - | 29.5 |
| 30711-* | IZN.381/40 A-8-* | 42 | 8 | 32 | 7 | 18 | 29.5 | 31 | - | 17.5 | 11.5 | 10.5 | M5 | - | 47.5 |
| 30721-* | IZN.381/45 A-8-* | 48 | 8 | 35.5 | 8 | 22 | 33 | 34.5 | 3 | 22 | 8.5 | 14 | M5 | 14 | 84.5 |
| 30731-* | IZN.381/50 A-10-* | 52 | 10 | 38.5 | 8.5 | 22 | 37.5 | 39 | 4 | 22 | 12 | 13.5 | M5 | 15.5 | 87 |
| 30741-* | IZN.381/50 A-12-* | 52 | 12 | 38.5 | 8.5 | 22 | 37.5 | 39 | 4 | 22 | 12 | 13.5 | M5 | 15.5 | 82 |
| 30751-* | IZN.381/63 A-10-* | 63.5 | 10 | 44.5 | 11 | 26 | 48 | 50.5 | 6 | 30 | 10.5 | 16 | M6 | 19 | 160 |
| 30761-* | IZN.381/63 A-12-* | 63.5 | 12 | 44.5 | 11 | 26 | 48 | 50.5 | 6 | 30 | 10.5 | 16 | M6 | 19 | 154 |
| 30771-* | IZN.381/63 A-14-* | 63.5 | 14 | 44.5 | 11 | 26 | 48 | 50.5 | 6 | 30 | 10.5 | 16 | M6 | 19 | 137.5 |

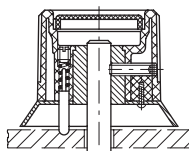
Assembly examples



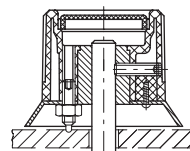
Assembly with grub screw



Assembly with grub screw and ball with adjustable pressure spring



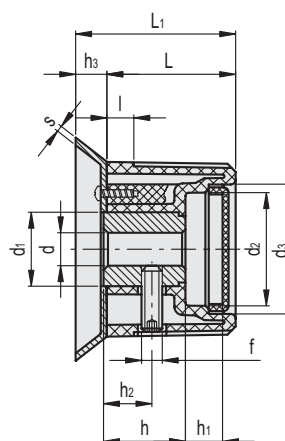
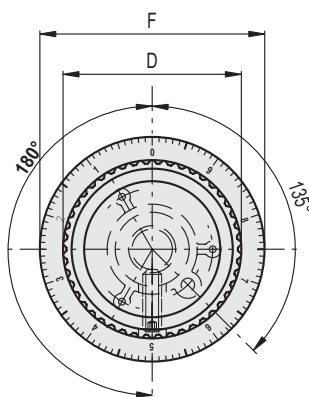
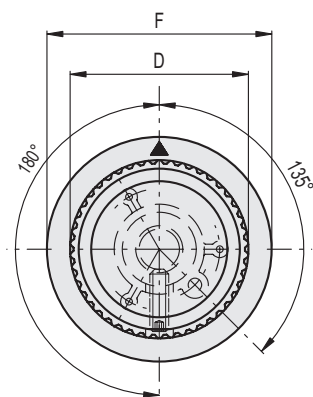
Assembly with grub screw and adjustable spring plunger



Assembly with grub screw and bolt plunger with locking nut

IZN.381+K

IZN.381+FGS



* Complete with colour index, example: 30703-C2 IZN.381/32 A-6+K-C2

- C9
RAL9005
- C2
RAL2004
- C3
RAL7035
- C4
RAL1021
- C5
RAL5024
- C6
RAL3000
- C17
RAL6017

IZN.381+K

| Code | Description | D | dH7 | L | L1 | F | l | d1 | d2 | d3 | h | h1 | h2 | h3 | f | s | ⚖ |
|---------|---------------------|------|-----|------|------|------|-----|----|------|------|------|------|------|-----|----|---|-------|
| 30703-* | IZN.381/32 A-6+K-* | 32 | 6 | 26.5 | 32.5 | 38 | 5 | 15 | 19.5 | 21.5 | 16 | 6.5 | 9 | 6 | M4 | 1 | 31 |
| 30713-* | IZN.381/40 A-8+K-* | 42 | 8 | 32 | 39 | 50 | 7 | 18 | 29.5 | 31 | 17.5 | 11.5 | 10.5 | 7 | M5 | 1 | 53 |
| 30723-* | IZN.381/45 A-8+K-* | 48 | 8 | 35.5 | 43 | 55 | 8 | 22 | 33 | 34.5 | 22 | 8.5 | 14 | 7.5 | M5 | 1 | 91 |
| 30733-* | IZN.381/50 A-10+K-* | 52 | 10 | 38.5 | 47 | 62.5 | 8.5 | 22 | 37.5 | 39 | 22 | 12 | 13.5 | 8.5 | M5 | 1 | 96 |
| 30753-* | IZN.381/63 A-10+K-* | 63.5 | 10 | 44.5 | 57.5 | 77.5 | 11 | 26 | 48 | 50.5 | 30 | 10.5 | 16 | 13 | M6 | 1 | 175 |
| 30763-* | IZN.381/63 A-12+K-* | 63.5 | 12 | 44.5 | 57.5 | 77.5 | 11 | 26 | 48 | 50.5 | 30 | 10.5 | 16 | 13 | M6 | 1 | 169 |
| 30773-* | IZN.381/63 A-14+K-* | 63.5 | 14 | 44.5 | 57.5 | 77.5 | 11 | 26 | 48 | 50.5 | 30 | 10.5 | 16 | 13 | M6 | 1 | 152.5 |

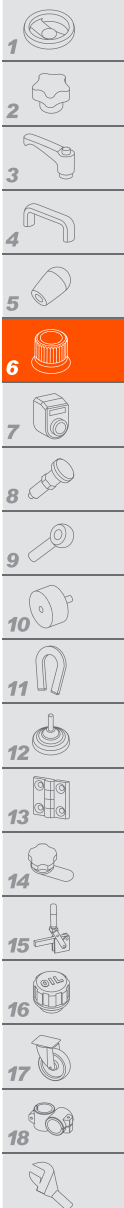


* Complete with colour index, example: 30706-C2 IZN.381/32 A-6+FGS-10/40-C2

- C9
RAL9005
- C2
RAL2004
- C3
RAL7035
- C4
RAL1021
- C5
RAL5024
- C6
RAL3000
- C17
RAL6017

IZN.381+FGS

| Code | Description | D | dH7 | L | L1 | F | l | d1 | d2 | d3 | h | h1 | h2 | h3 | f | s | ⚖ |
|---------|------------------------------|------|-----|------|------|------|-----|----|------|------|------|------|------|-----|----|---|-------|
| 30706-* | IZN.381/32 A-6+FGS-10/40-* | 32 | 6 | 26.5 | 32.5 | 38 | 5 | 15 | 19.5 | 21.5 | 16 | 6.5 | 9 | 6 | M4 | 1 | 31 |
| 30716-* | IZN.381/40 A-8+FGS-10/40-* | 42 | 8 | 32 | 39 | 50 | 7 | 18 | 29.5 | 31 | 17.5 | 11.5 | 10.5 | 7 | M5 | 1 | 53 |
| 30726-* | IZN.381/45 A-8+FGS-10/100-* | 48 | 8 | 35.5 | 43 | 55 | 8 | 22 | 33 | 34.5 | 22 | 8.5 | 14 | 7.5 | M5 | 1 | 91 |
| 30736-* | IZN.381/50 A-10+FGS-10/100-* | 52 | 10 | 38.5 | 47 | 62.5 | 8.5 | 22 | 37.5 | 39 | 22 | 12 | 13.5 | 8.5 | M5 | 1 | 96 |
| 30756-* | IZN.381/63 A-10+FGS-10/100-* | 63.5 | 10 | 44.5 | 57.5 | 77.5 | 11 | 26 | 48 | 50.5 | 30 | 10.5 | 16 | 13 | M6 | 1 | 175 |
| 30766-* | IZN.381/63 A-12+FGS-10/100-* | 63.5 | 12 | 44.5 | 57.5 | 77.5 | 11 | 26 | 48 | 50.5 | 30 | 10.5 | 16 | 13 | M6 | 1 | 169 |
| 30776-* | IZN.381/63 A-14+FGS-10/100-* | 63.5 | 14 | 44.5 | 57.5 | 77.5 | 11 | 26 | 48 | 50.5 | 30 | 10.5 | 16 | 13 | M6 | 1 | 152.5 |



Control elements