

I.621+x | Revolving handles

Technopolymer

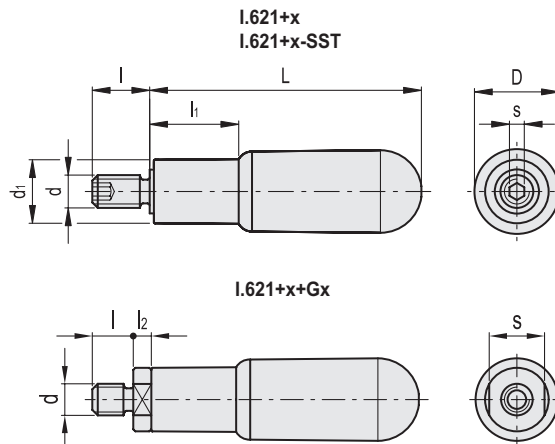


MATERIAL

Polyamide based (PA) technopolymer, black colour, matte finish.

STANDARD EXECUTIONS

- **I.621+x**: zinc-plated steel pin, hexagon socket at threaded end.
- **I.621+x+SST**: AISI 303 stainless steel pin, hexagonal socket at threaded end.
- **I.621+Gx**: zinc-plated steel threaded pin, with two large and flat faces for frontal fastening.



ELESA Original design

I.621+x

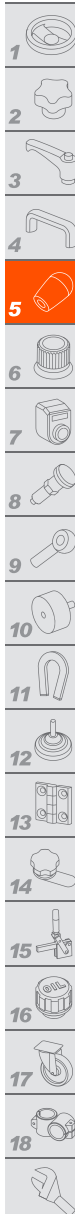
Code	Description	D	L	d _{6g}	d ₁	l	l ₁	s	⚖
120601	I.621/35+x-M5	14	35	M5	11	10	10.5	3	23
120611	I.621/35+x-M6	14	35	M6	11	10	10.5	3	25
120621	I.621/45+x-M6	15.5	45	M6	13	13	15	3	27
120622	I.621/45+x-M8	15.5	45	M8	13	13	15	4	30
120631	I.621/60+x-M6	18	60	M6	14.5	13	19	3	32
120632	I.621/60+x-M8	18	60	M8	14.5	13	19	4	35
120641	I.621/65+x-M8	22	65	M8	18	15	21	4	80
120642	I.621/65+x-M10	22	65	M10	18	15	21	4	82
120646	I.621/73+x-M8	23	73	M8	19	15	24	4	85
120647	I.621/73+x-M10	23	73	M10	19	15	24	4	87
120651	I.621/80+x-M8	24	80	M8	19	15	27	4	88
120652	I.621/80+x-M10	24	80	M10	19	15	27	4	100
120661	I.621/90+x-M10	25	90	M10	19.5	17	30	5	120
120671	I.621/100+x-M10	27	101	M10	22	17	34	5	125

I.621+x-SST

Code	Description	D	L	d _{6g}	d ₁	l	l ₁	s	⚖
120623	I.621/45+x-M6-SST	15.5	45	M6	13	13	15	3	27
120624	I.621/45+x-M8-SST	15.5	45	M8	13	15	15	4	30
120633	I.621/60+x-M6-SST	18	60	M6	14.5	13	19	3	32
120634	I.621/60+x-M8-SST	18	60	M8	14.5	15	19	4	35
120643	I.621/65+x-M8-SST	22	65	M8	18	15	21	4	80
120644	I.621/65+x-M10-SST	22	65	M10	18	15	21	4	82
120648	I.621/73+x-M8-SST	23	73	M8	19	15	24	4	85
120649	I.621/73+x-M10-SST	23	73	M10	19	15	24	4	87
120653	I.621/80+x-M8-SST	24	80	M8	19	15	27	4	88
120654	I.621/80+x-M10-SST	24	80	M10	19	15	27	4	100
120663	I.621/90+x-M10-SST	25	90	M10	19.5	17	30	5	120
120673	I.621/100+x-M10-SST	27	101	M10	22	17	34	5	125

I.621+Gx

Code	Description	D	L	d _{6g}	d ₁	l	l ₁	l ₂	s	⚖
120741	I.621/65+Gx-M8	22	65	M8	18	12	21	6.5	16	93
120752	I.621/80+Gx-M10	24	80	M10	18.5	12	27	6.5	16	103
120772	I.621/100+Gx-M12	27	101	M12	22	13	34	7.5	19	155



Fixed & Revolving handles