

- 1
- 2
- 3
- 4
- 5
- 6
- 7
- 8
- 9
- 10
- 11
- 12
- 13
- 14
- 15
- 16
- 17
- 18
- 19

MATERIAL

Glass-fibre reinforced polyamide based (PA) technopolymer, grey-black colour, matte finish.

BOSS CAP

- ECB.T: glass-fibre reinforced polyamide based (PA) technopolymer, in Elecolors colours, matte finish, press-fit assembly. Supplied, removable by a screwdriver.

Available also as accessory sold separately (see table).

STANDARD EXECUTION

Black-oxide steel boss, H7 reamed hole.

FEATURES AND APPLICATIONS

Characterized by the position of the lever parallel to the clamping surface, the control lever ELCR. is of small size, therefore it is particularly suitable when the lever turning angle is limited owing to lack of space. , has a small footprint and is particularly suitable for all applications with limited maneuvering spaces.

ERGONOMY

The heavy-duty arm of the lever allows the operator to easily apply high forces during rotation operations; while the enlarged end offers an effective grip.

MANOEUVRE ANGLE LIMITATION

A limited manoeuvre angle is possible by fitting stop pins in the rear guide slot.

ACCESSORIES ON REQUEST

- GN 184: axial retaining washer in black-oxide steel (see page 897).
- MS.: ball and spring for clicking operation to be fitted into the two holes d3 drilled at 180°. (see page).
- ECB.T: glass-fibre reinforced polyamide based (PA) technopolymer boss cap, in Elecolors colours, matte finish, press-fit assembly (see table).

SPECIAL EXECUTIONS ON REQUEST

Levers with cross holes according to EN 110 (see page A-16).



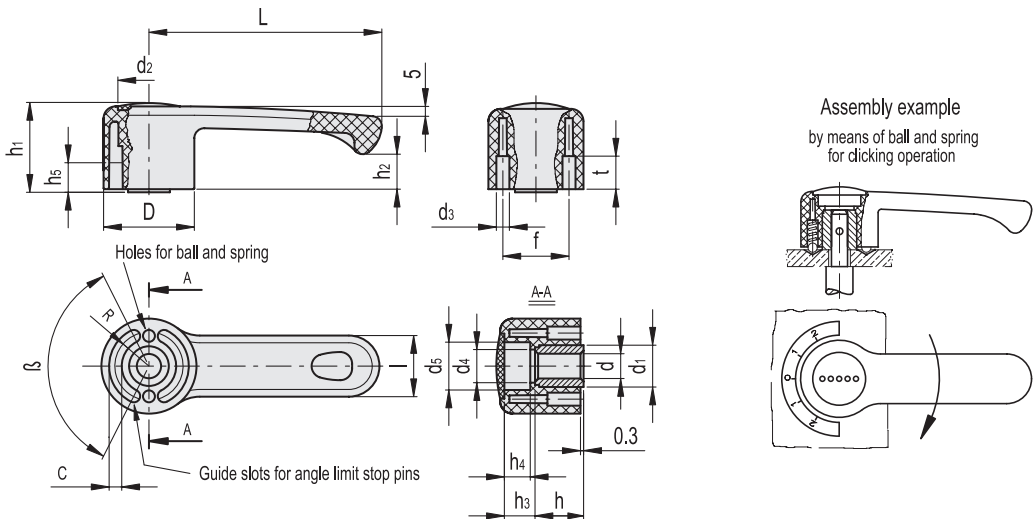
ERGOSTYLE® ELESA Original design

- C1 RAL7021
- C2 RAL2004
- C3 RAL7035
- C4 RAL1021
- C5 RAL5024
- C6 RAL3000
- C17 RAL6017

ECB.T

Code	Description	Boss cap for
29553-*	ECB.T3-*	ELCR.118

* Complete with colour index (C1, ..., C17).



* Complete with colour index, example: 212241-C2 ELCR.118 A-12-C2

- C1 RAL7021
- C2 RAL2004
- C3 RAL7035
- C4 RAL1021
- C5 RAL5024
- C6 RAL3000
- C17 RAL6017

Code	Description	D	dH7	L	h	h1	h2	h3	h4	h5	d1	d2	d3*	d4	d5	l	R	t	c	f	⚖	
212241-*	ELCR.118 A-12-*	46	12	118	22	44	18.5	19	17	10	22	31.5	6	17	25.5	29	17.5	15.5	6.5	125±1°	32	135

* Ball diameter