

- 1
- 2
- 3
- 4
- 5
- 6
- 7
- 8
- 9
- 10
- 11
- 12
- 13
- 14
- 15
- 16
- 17
- 18
- 19

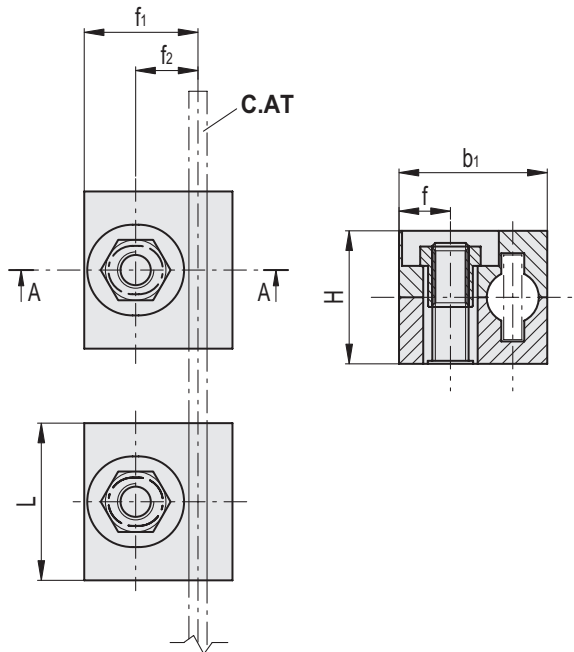
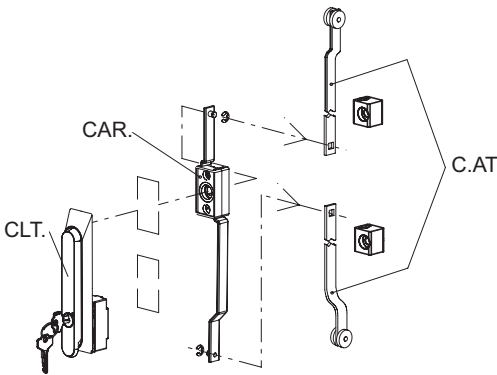
STANDARD EXECUTION

Pair of polyamide based (PA) technopolymer rod guides, with M6x20 weld screw and nut.

FEATURES AND APPLICATIONS

The pair of C.GAT rod guides are to be assembled together with the rods C.AT and rod controls CAR, one rod guide for every 500 mm of rod length. (See assembly diagram).

Used for latches with CLT handles. (see page 1050).



Code	Description	H	L	b1	f	f1	f2	
421133	C.GAT	22	26	24.5	8.5	18.8	10.3	30.55