

- 1
- 2
- 3
- 4
- 5
- 6
- 7
- 8
- 9
- 10
- 11
- 12
- 13
- 14
- 15
- 16
- 17
- 18

## MATERIAL

Polymethyl methacrylate (PMMA).

## CONTRAST FLUID

Colourless.

## RANGE OF THE LEVEL BUBBLE

**D3:** 3 angle degrees at full scale.

**D5:** 5 angle degrees at full scale.

**D10:** 10 angle degrees at full scale.

## FEATURES AND APPLICATIONS

BOL-MF level bubbles are used to control the horizontal positioning of lifting equipment, machines, and devices.

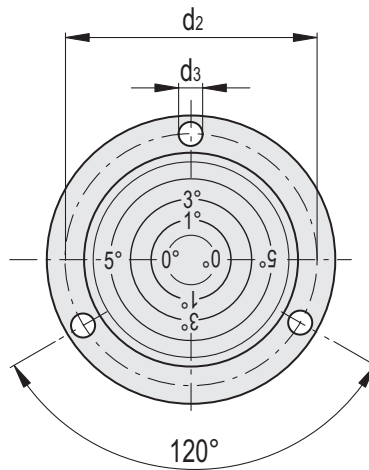
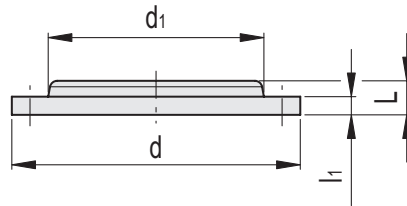
The alignment with respect to the reference plane is reached when the bubble is centered in the middle of the marking lines.

The material used to manufacture the level bubble gives the lens high visibility.

The liquid contained within the bubble is characterised by low surface tension and density optimised for use also on aerial platforms.

## SPECIAL EXECUTIONS ON REQUEST

Contrast fluid in different colours.



Code	Description	d	d1	d2	d3	L	l1	$\Delta$
438011	BOL-MF-ACR-55-K-D5	55	40	47.5	4.5	10	4	18.5
438016	BOL-MF-ACR-80-K-D3	80	63	71.5	4.5	11.7	6	52.5
438021	BOL-MF-ACR-80-K-D5	80	63	71.5	4.5	11.7	6	52.5
438026	BOL-MF-ACR-100-K-D3	100	75	87	5.5	14.2	7	94
438031	BOL-MF-ACR-100-K-D5	100	75	87	5.5	13.7	7	94
438036	BOL-MF-ACR-100-K-D10	100	75	87	5.5	13.7	7	96