

- 1
- 2
- 3
- 4
- 5
- 6
- 7
- 8
- 9
- 10
- 11
- 12
- 13
- 14
- 15
- 16
- 17
- 18
- 19

LOBE SOLID CAP

Glass-fibre reinforced polyamide based (PA) technopolymer, black colour, matte finish, with security anti-intrusion-profiled key slot.

FLANGE

Technopolymer, ultrasonically welded.

CLAMPING ELEMENT

Acetal resin based (POM) technopolymer, black colour, matte finish.

FORK AND RETAINING CHAIN

Elastic fork in acetal based technopolymer (POM), black colour.
 NERINOX treated stainless steel ring with two coils.
 Ball cable and coupling heads in acetal resin based (POM) technopolymer, black colour.
 Head fastening by means of a self-tapping screw Ø4,8 mm UNI EN ISO 7050 or a M5 countersunk-head screw UNI EN ISO 10642.

STANDARD EXECUTIONS

- **VLS-B-LP**: brass boss, threaded blind hole.
- **VLS-SST-p-LP**: AISI 304 stainless steel threaded stud, chamfered flat end UNI EN ISO 947 : 4753 (see Technical data on page A-11).

SECURITY KEY (TO BE ORDERED SEPARATELY)

- CSN (on page -) acetal resin based (POM) technopolymer fold-away key, red colour, anti-intrusion-profiled stainless steel insert.
- CSF (on page -) polyamide based (PA) technopolymer ball key, red colour, anti-intrusion-profiled stainless steel insert.

On request and for sufficient quantities the security keys can be supplied in black colour too.

SECURITY DEVICE OPERATION

VLS. security lobe knobs have been designed to be unscrewed only by authorised people, provided with the security key. Without the security key, the knob turns without unscrewing.

1. Clamping: clamp the knob by screwing it as for a normal knob. Mind that the security key is not inserted.
2. Unscrewing: simply insert the security key (without turning it) and unscrew the knob.

FEATURES AND APPLICATIONS

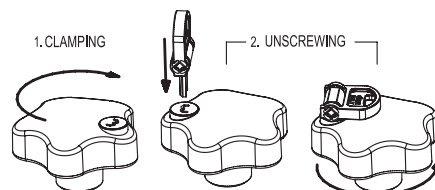
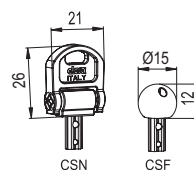
The particular design of the internal device and of the flange helps the drainage of any dirt (dust, earth, liquid).
 Suitable where it is necessary to prevent the loss of the knob.
 The elastic fork, housed in the groove of the knob can turn freely.
 The coiled ring connects the elastic retaining ring to the chain.

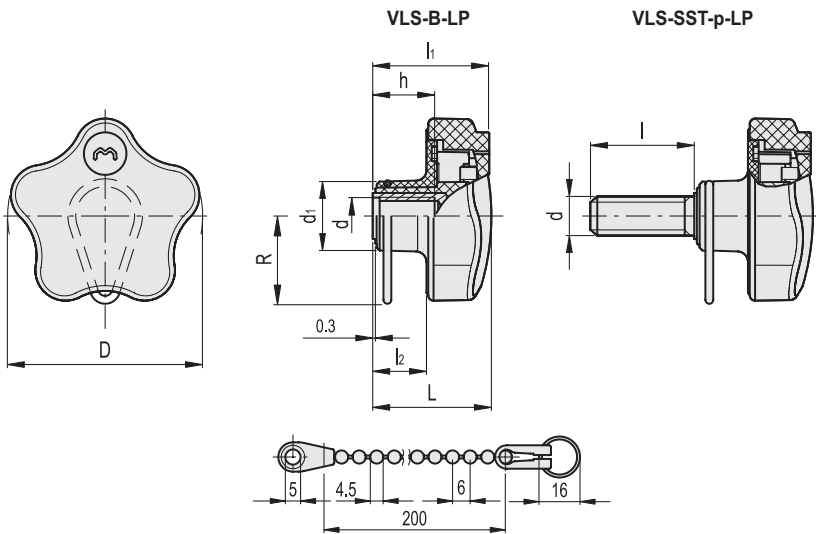
SPECIAL EXECUTIONS ON REQUEST

- Chain in different lengths.
- Knob with retaining cable CV-T (see page -) in polyethylene black colour.
- Knob with stainless steel cable GN 111 on page 611, GN 111.2 on page 612, GN 111.4 on page 613 and GN 111.8 on page -.



ELESA Original design





VLS-B-LP

Code	Description	D	d	L	d1	l1	l2	h	R	⚖
76471	VLS.55 B-M8-LP	55	M8	33	19	32	15	13	22.5	43
76472	VLS.55 B-M10-LP	55	M10	33	19	32	15	17	22.5	47

VLS-SST-p-LP

INOX STAINLESS STEEL

Code	Description	D	d	L	d1	l	l1	l2	R	⚖
76481	VLS.55-SST-p-M10x20-LP	55	M10	33	19	20	32	15	22.5	58
76485	VLS.55-SST-p-M10x40-LP	55	M10	33	19	40	32	15	22.5	68