

- 1
- 2
- 3
- 4
- 5
- 6
- 7
- 8
- 9
- 10
- 11
- 12
- 13
- 14
- 15
- 16
- 17
- 18
- 19

**BODY**

Glass-fibre reinforced polyamide based (PA) technopolymer, orange, textured finish.

**SELF-THREADING SCREWS**

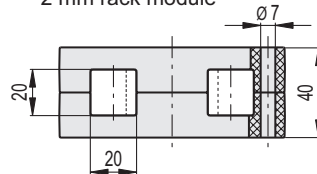
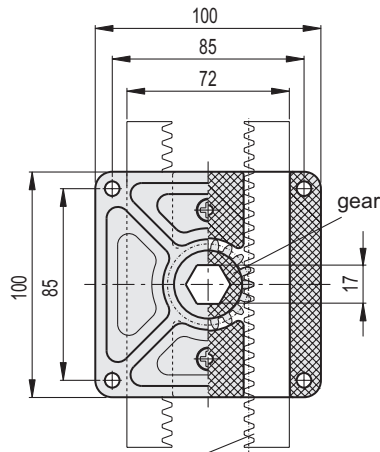
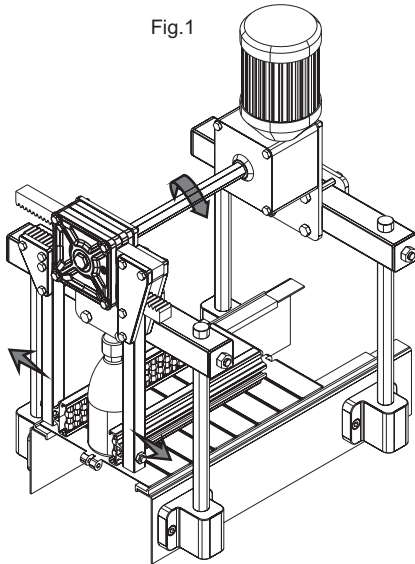
AISI 304 stainless steel.

**GEAR**

Acetal resin based (POM) technopolymer, white colour.

**FEATURES AND APPLICATIONS**

RTGL reducers are used for the transverse adjustment of the lateral guides during the format change of the transported product (Fig.1).



Rack dimensions

Code	Description	
419777	RTGL-100-EH17	310