

- 1
- 2
- 3
- 4
- 5
- 6
- 7
- 8
- 9
- 10
- 11
- 12
- 13
- 14
- 15
- 16
- 17
- 18
- 19

**MATERIAL**

C10 zinc-plated steel.

**RIVETS**

Zinc-plated steel.

**PULLING HOOK**

Perpendicular to clamping arm, zinc-plated steel.

**OSCILLATING PIN AND NUTS**

Zinc-plated steel.

**HANDLE**

Polyurethane, red colour.

**ANTI RELEASE LEVER**

Zinc-plated steel.

**LEVER ANTI-RELEASE COVERING**

Polyvinylchloride (PVC).

**SPRING**

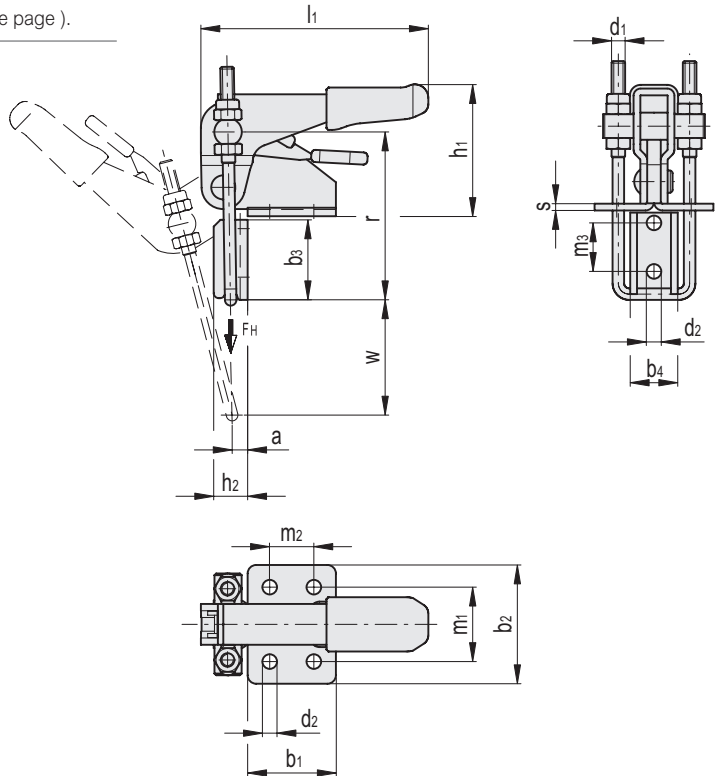
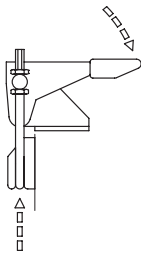
AISI 302 stainless steel.

**FEATURES AND APPLICATIONS**

Anti-release lever to prevent accidental opening in the presence of strong vibrations. All articulated joints are lubricated with special grease. MTD-S clamps ensure tight closing of any cover. The position of the pulling hook can be adjusted in length according to the specific applications.

**ACCESSORIES ON REQUEST**

TRU: U-shaped pulling hooks of various dimensions (see page ).



Code	Description	a	b1	b2	b3	b4	d1	d2	h1	h2	l1	m1	m2	m3	r	s	w Stroke	FH* [N]	$\Delta\zeta$
GG.AL636	MTD-S.160-T3L	5	26	35	25.5	14	M4	4.3	37	10	68	22	13	14.3	49.5+58	2	22+29	1600	113
GG.AL640	MTD-S.320-T3L	8	36	44	37	22	M6	6.5	53	15	106	25.5	19	20.5	75+95	3	39+49	3200	347
GG.AL644	MTD-S.700-T3L	13	52	54	48.5	26	M8	8.5	66	23	147	36.5	32	27	98+122	3.5	50+62	7500	759

\* Holding force.