

- 1
- 2
- 3
- 4
- 5
- 6
- 7
- 8
- 9
- 10
- 11
- 12
- 13
- 14
- 15
- 16
- 17
- 18
- 19

**MATERIAL**

AISI 304 stainless steel.

**RIVETS**

AISI 304 stainless steel.

**PUSH LEVER**

AISI 304 stainless steel.

**GUIDE BUSHINGS**

AISI 303 stainless steel.

**NUT**

AISI 304 stainless steel.

**HANDLE**

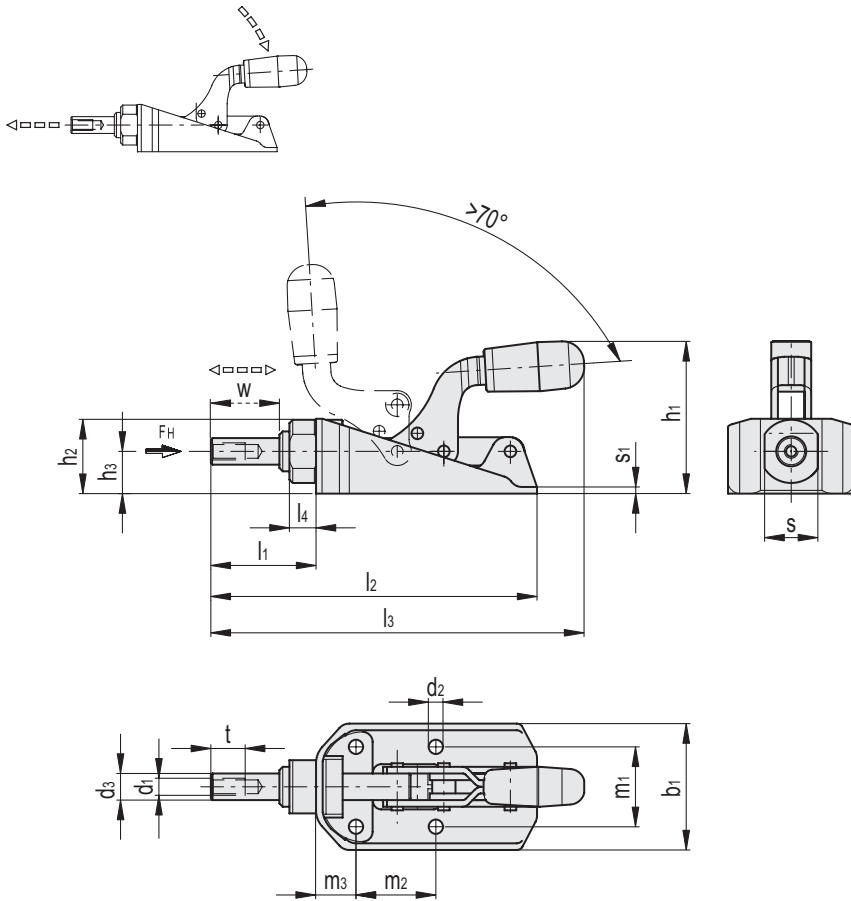
Polyurethane, red colour.

**CLAMPING BOLT**

to be ordered separately

**FEATURES AND APPLICATIONS**

All articulated joints are lubricated with special grease.  
MFB-SST clamps ensure only perfect push clamping.



INOX STAINLESS STEEL

| Code     | Description | b1 | d1 | d2  | d3 | h1 | h2   | h3   | l1   | l2  | l3  | l4 | m1 | m2 | m3 | s  | s1  | t  | w Stroke | FH* [N] | Δ   |
|----------|-------------|----|----|-----|----|----|------|------|------|-----|-----|----|----|----|----|----|-----|----|----------|---------|-----|
| GG.AS383 | MFB.85-ASX  | 38 | M5 | 4.3 | 8  | 46 | 22.5 | 12.7 | 31.5 | 98  | 112 | 8  | 24 | 24 | 12 | 16 | 2   | 10 | 15       | 4000    | 142 |
| GG.AS385 | MFB.125-ASX | 48 | M6 | 5.5 | 12 | 62 | 30   | 17   | 41   | 126 | 165 | 10 | 30 | 34 | 18 | 22 | 2.5 | 12 | 19       | 5200    | 343 |
| GG.AS387 | MFB.305-ASX | 58 | M8 | 6.5 | 14 | 74 | 36   | 20   | 53   | 158 | 197 | 12 | 34 | 50 | 18 | 24 | 3   | 16 | 25       | 6750    | 615 |

\* Holding force.