

- 1
- 2
- 3
- 4
- 5
- 6
- 7
- 8
- 9
- 10
- 11
- 12
- 13
- 14
- 15
- 16
- 17
- 18

BASE

Glass-fibre reinforced polyamide based (PA) technopolymer, black colour, matte finish.

BALL JOINT

Glass-fibre reinforced polyamide based (PA) SUPER-technopolymer, black colour.

STANDARD EXECUTIONS

- LV.FO+SJF: without no-slip disk.
- LV.FO-AS+SJF: with NBR rubber no-slip disk, hardness 70 Shore A, supplied assembled to the base.

FEATURES AND APPLICATIONS

The special knurling under the base edge that rests on the ground provides excellent grip and stability on uneven surfaces even without the no-slip disk. The particular assembling system of the no-slip disk to the base assures a perfect anchoring, preventing separation even in case of impact during transport or of adhesion (sticking) to the floor (see No-slip Disks). Used for direct fixing using standard screws, without the need for a threaded stem.

GROUND MOUNTING

By means of two holes, supplied closed by a diaphragm (which can be easily removed by a metal tool) to avoid all unhealthy deposits of dirt and dust (see Fig. 1).

ANOTHER STANDARD EXECUTION

SJF: ball joint.



ELESA Original design

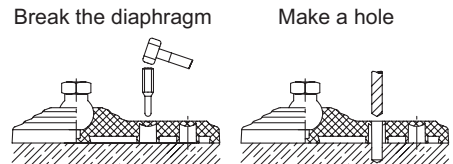
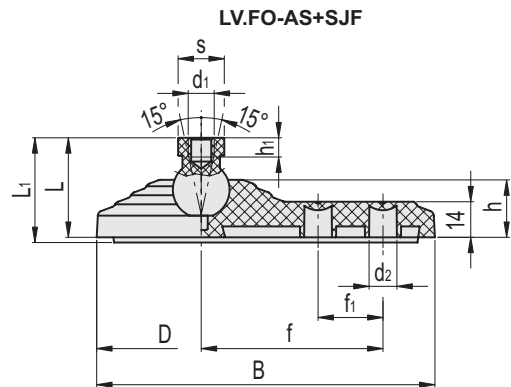
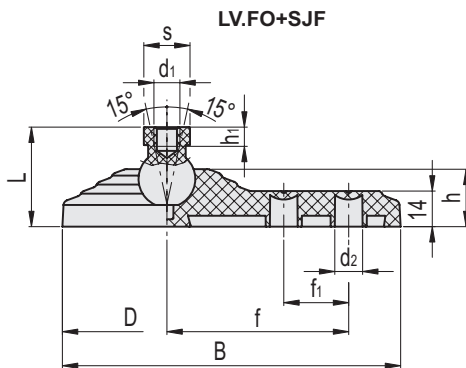


Fig.1



LV.FO+SJF

Code	Description	D	d1	L	d2	h	h1	B	f	f1	s	Articulation Ø	Maximum tightening torque for the screw [Nm]	Max. limit static load* [N]	Δ
300166	LV.FO-60-14+SJF-M6	60	M6	31.5	8.5	21	10	96.5	50	18	16	14	4	5800	54
300167	LV.FO-60-14+SJF-M8	60	M8	31.5	8.5	21	10	96.5	50	18	16	14	6	6900	53
300171	LV.FO-80-14+SJF-M6	80	M6	33	10.5	22	10	130	70	25	16	14	4	6900	91
300172	LV.FO-80-14+SJF-M8	80	M8	33	10.5	22	10	130	70	25	16	14	6	8200	90

LV.FO-AS+SJF

Code	Description	D	d1	L	L1	d2	h	h1	B	f	f1	s	Articulation Ø	Maximum tightening torque for the screw [Nm]	Max. limit static load* [N]	Δ
300266	LV.FO-60-14-AS+SJF-M6	60	M6	31.5	34.5	8.5	21	10	96.5	50	18	16	14	4	5800	70
300267	LV.FO-60-14-AS+SJF-M8	60	M8	31.5	34.5	8.5	21	10	96.5	50	18	16	14	6	6900	69
300271	LV.FO-80-14-AS+SJF-M6	80	M6	33	36	10.5	22	10	130	70	25	16	14	4	6900	122
300272	LV.FO-80-14-AS+SJF-M8	80	M8	33	36	10.5	22	10	130	70	25	16	14	6	8200	121

* The max static load is the value above which the load applied to the element may cause some plastic material breakage, in particular conditions of use. Obviously, a factor that takes into consideration the importance and the safety level of the specific application must be applied to this value.