

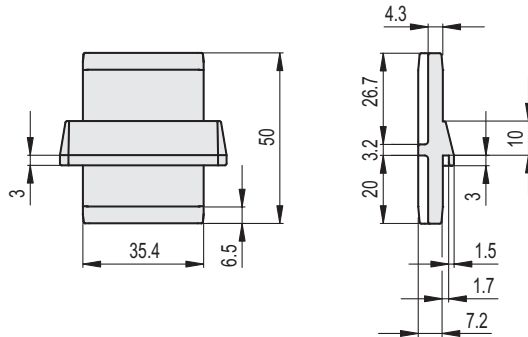
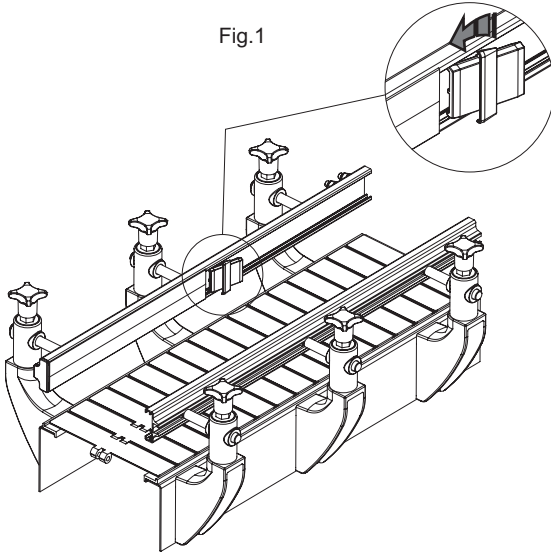
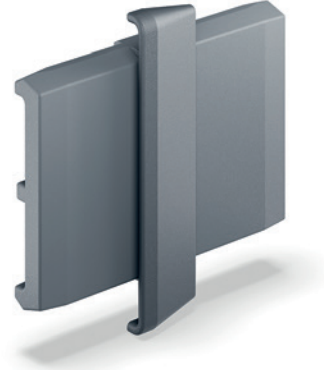
- 1
- 2
- 3
- 4
- 5
- 6
- 7
- 8
- 9
- 10
- 11
- 12
- 13
- 14
- 15
- 16
- 17
- 18
- 19

**MATERIAL**

Polyamide-based (PA) technopolymer, with self-lubricating additive, grey colour.

**FEATURES AND APPLICATIONS**

The GGLF joint is used as a connecting element at the ends of the GLF and GCF side guides (Fig.1). The self-lubricating additive guarantees maximum rolling resistance of the product.



Levelling feet and supports

Code	Description	⚖
419098	GGLF-36-50	11