

- 1
- 2
- 3
- 4
- 5
- 6
- 7
- 8
- 9
- 10
- 11
- 12
- 13
- 14
- 15
- 16
- 17
- 18
- 19

MATERIAL

Glass-fibre reinforced polyamide based (PA) technopolymer, RAL 7035 (C3) grey colour.

STANDARD EXECUTIONS

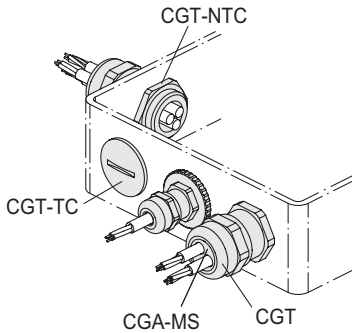
- **CGT-HR**: metric threadings.
- **CGT-HR-PG**: PG threadings.

FEATURES AND APPLICATIONS

They are used to install a cable gland in a mounting hole on electrical equipment that does not match the thread size of the cable gland itself, ensuring mechanical protection and a secure seal. To secure the reducers, use the CGT-NTC mounting nut.

ACCESSORY

- CGT: cable glands.
- CGT-NTC: mounting nuts.

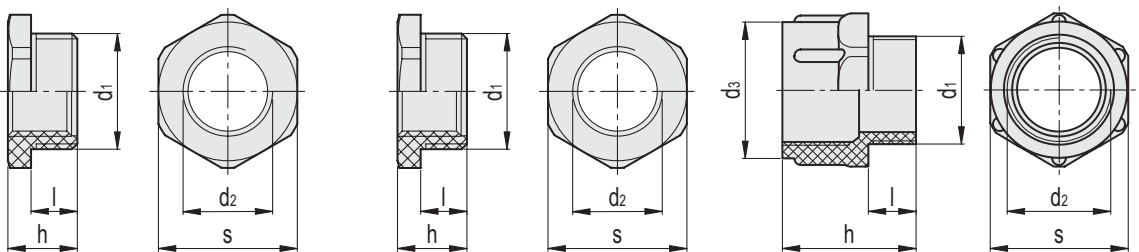


CGT-HR

($d_1 < PG\ 21$)

CGT-HR-PG

($d_1 \geq PG\ 21$)



CGT-HR

Code	Description	d_1	d_2	h	l	s	
560201-C3	CGT-HR-M16-M12-C3	M 16 x 1.5	M 12 x 1.5	12	8	24	3
560203-C3	CGT-HR-M20-M16-C3	M 20 x 1.5	M 16 x 1.5	12	8	24	4
560205-C3	CGT-HR-M25-M20-C3	M 25 x 1.5	M 20 x 1.5	14	8	32	7
560207-C3	CGT-HR-M32-M25-C3	M 32 x 1.5	M 25 x 1.5	16	10	36	9
560209-C3	CGT-HR-M40-M32-C3	M 40 x 1.5	M 32 x 1.5	19	12	46	16
560211-C3	CGT-HR-M50-M40-C3	M 50 x 1.5	M 40 x 1.5	21	14	55	24
560213-C3	CGT-HR-M63-M50-C3	M 63 x 1.5	M 50 x 1.5	22	15	65	34

CGT-HR-PG

Code	Description	d_1	d_2	h	l	s	
560215-C3	CGT-HR-PG9-PG7-C3	PG 9	PG 7	20.5	8	19	5
560217-C3	CGT-HR-PG11-PG9-C3	PG 11	PG 9	22.5	8	22	6
560219-C3	CGT-HR-PG13,5-PG11-C3	PG 13.5	PG 11	24	9	24	6
560221-C3	CGT-HR-PG16-PG13,5-C3	PG 16	PG 13.5	28	10	27	7
560223-C3	CGT-HR-PG21-PG16-C3	PG 21	PG 16	16	11	32	8
560225-C3	CGT-HR-PG29-PG21-C3	PG 29	PG 21	17	11	40	14
560227-C3	CGT-HR-PG36-PG29-C3	PG 36	PG 29	24	18	50	14
560229-C3	CGT-HR-PG42-PG36-C3	PG 42	PG 36	24	18	55	19
560231-C3	CGT-HR-PG48-PG42-C3	PG 48	PG 42	23	17	60	19

Standard machine parts