

**GRIFFKÖRPER**

Zink Druckguss, kunststoffbeschichtet orange, rot, grau, schwarz, matt.

**STANDARDAUSFÜHRUNGEN**

- **ERM-A:** Gewindebuchse und Halteschraube Stahl brüniert. Rückstellfeder Stahl.
  - **ERM-SST:** Gewindebuchse und Halteschraube Edelstahl AISI 303. Rückstellfeder Edelstahl AISI 301.
  - **ERM-p:** Gewindestift und Halteschraube Stahl brüniert. Rückstellfeder Stahl.
  - **ERM-SST-p:** Gewindestift und Halteschraube, Edelstahl AISI 303. Rückstellfeder Edelstahl AISI 301.
- Halteschraube mit Sechskant zur Montage mit TORX®.

**FUNKTIONEN UND ANWENDUNGEN**

Besonders geeignet wenn der Drehwinkel wegen Platzmangel begrenzt ist.

**SONDERAUSFÜHRUNGEN AUF ANFRAGE**

- Griffkörper in verschiedenen Farben.
- Verchromter Klemmhebel.
- Klemmhebel mit Sackloch.

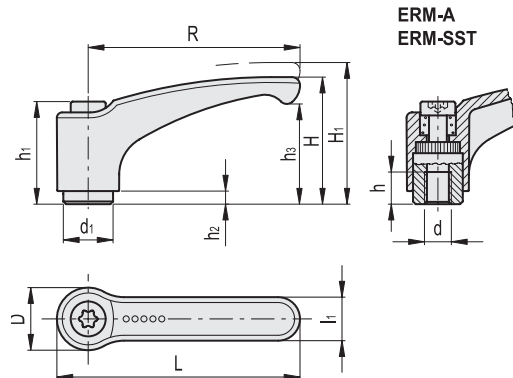
**GEBRAUCHSANWEISUNG**

Zum Spannen den Hebel anheben um die Verzahnung zu lösen und in die Ausgangsstellung ziehen. Durch Loslassen rastet der Hebel dank der Rückstellfeder wieder automatisch in die Verzahnung ein. Wenn der Klemmhebel nicht um 360° gedreht werden kann, so kann der Schraubeinsatz einfach mittels Sechskantschlüssel eingeschraubt werden (nach Ausrasten des Griffkörpers).

\* Eingetragene Marke von TEXTRON INC.



ERGOSTYLE® ELESA Original design



\*Ergänzen mit Farbcode des Hebelkörpers: 240002-C2 ERM.44 A-M4-C2

C2 RAL2004    C6 RAL3000    C8 RAL9006    C9 RAL9005

**ERM-A**

Code	Artikelnummer	R	d	L	D	H	H1	h	h1	h2	h3	d1	l1	Anzahl der Zähne	⚖️
240002-*	ERM.44 A-M4-*	44	M4	52	14.5	30	33	8	24.5	3.5	20.5	10	11	18	16
240003-*	ERM.44 A-M5-*	44	M5	52	14.5	30	33	8	24.5	3.5	20.5	10	11	18	16
240004-*	ERM.44 A-M6-*	44	M6	52	14.5	30	33	8	24.5	3.5	20.5	10	11	18	15
240014-*	ERM.63 A-M6-*	63	M6	73.5	18	38	41	10	31	3.5	27	13.5	13.5	24	36
240015-*	ERM.63 A-M8-*	63	M8	73.5	18	38	41	10	31	3.5	27	13.5	13.5	24	34
240025-*	ERM.78 A-M8-*	78	M8	90.5	21.5	46	50	14	36	3.5	34.5	16	16	26	61
240026-*	ERM.78 A-M10-*	78	M10	90.5	21.5	46	50	14	36	3.5	34.5	16	16	26	55
240036-*	ERM.95 A-M10-*	95	M10	109	25	56	61	17	43	5	42	19.5	18	28	93
240037-*	ERM.95 A-M12-*	95	M12	109	25	56	61	17	43	5	42	19.5	18	28	86

**ERM-SST**

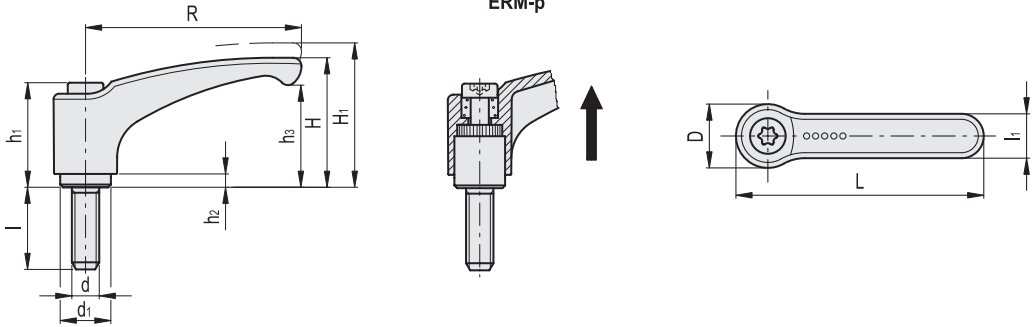
INOX STAINLESS STEEL

Code	Artikelnummer	R	d	L	D	H	H1	h	h1	h2	h3	d1	l1	Anzahl der Zähne	⚖️
241002-*	ERM.44 SST-A-M4-*	44	M4	52	14.5	30	33	8	24.5	3.5	20.5	10	11	18	16
241003-*	ERM.44 SST-A-M5-*	44	M5	52	14.5	30	33	8	24.5	3.5	20.5	10	11	18	15
241014-*	ERM.63 SST-A-M6-*	63	M6	73.5	18	38	41	10	31	3.5	27	13.5	13.5	24	36
241015-*	ERM.63 SST-A-M8-*	63	M8	73.5	18	38	41	10	31	3.5	27	13.5	13.5	24	34
241025-*	ERM.78 SST-A-M8-*	78	M8	90.5	21.5	46	50	14	36	3.5	34.5	16	16	26	61
241026-*	ERM.78 SST-A-M10-*	78	M10	90.5	21.5	46	50	14	36	3.5	34.5	16	16	26	55
241036-*	ERM.95 SST-A-M10-*	95	M10	109	25	56	61	17	43	5	42	19.5	18	28	93
241037-*	ERM.95 SST-A-M12-*	95	M12	109	25	56	61	17	43	5	42	19.5	18	28	86



Klemmhebel, Spannhebel

- 1
- 2
- 3
- 4
- 5
- 6
- 7
- 8
- 9
- 10
- 11
- 12
- 13
- 14
- 15
- 16
- 17
- 18



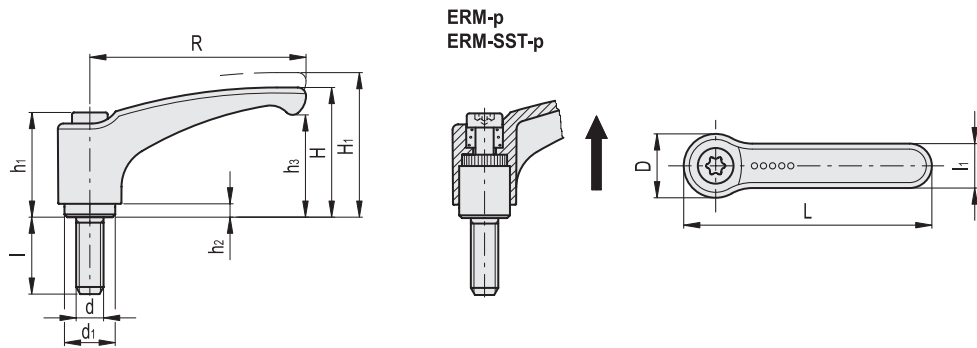
\*Ergänzen mit Farbcode des Hebelkörper: 240103-C2 ERM.44 p-M4x12-C2

- C2  
RAL2004
- C6  
RAL3000
- C8  
RAL9006
- C9  
RAL9005

**ERM-p**

Code	Artikelnummer	R	d	L	D	H	H1	h1	h2	h3	d1	l	l1	Anzahl der Zähne	Δ <sub>Δ</sub>
240103.*	ERM.44 p-M4x12-*	44	M4	52	14.5	30	33	24.5	3.5	20.5	10	12	11	18	15
240105.*	ERM.44 p-M4x16-*	44	M4	52	14.5	30	33	24.5	3.5	20.5	10	16	11	18	16
240107.*	ERM.44 p-M4x20-*	44	M4	52	14.5	30	33	24.5	3.5	20.5	10	20	11	18	17
240109.*	ERM.44 p-M4x25-*	44	M4	52	14.5	30	33	24.5	3.5	20.5	10	25	11	18	18
240111.*	ERM.44 p-M4x32-*	44	M4	52	14.5	30	33	24.5	3.5	20.5	10	32	11	18	19
240133.*	ERM.44 p-M5x12-*	44	M5	52	14.5	30	33	24.5	3.5	20.5	10	12	11	18	17
240135.*	ERM.44 p-M5x16-*	44	M5	52	14.5	30	33	24.5	3.5	20.5	10	16	11	18	18
240137.*	ERM.44 p-M5x20-*	44	M5	52	14.5	30	33	24.5	3.5	20.5	10	20	11	18	19
240139.*	ERM.44 p-M5x25-*	44	M5	52	14.5	30	33	24.5	3.5	20.5	10	25	11	18	20
240141.*	ERM.44 p-M5x32-*	44	M5	52	14.5	30	33	24.5	3.5	20.5	10	32	11	18	21
240143.*	ERM.44 p-M5x40-*	44	M5	52	14.5	30	33	24.5	3.5	20.5	10	40	11	18	22
240145.*	ERM.44 p-M5x50-*	44	M5	52	14.5	30	33	24.5	3.5	20.5	10	50	11	18	23
240153.*	ERM.44 p-M6x12-*	44	M6	52	14.5	30	33	24.5	3.5	20.5	10	12	11	18	19
240155.*	ERM.44 p-M6x16-*	44	M6	52	14.5	30	33	24.5	3.5	20.5	10	16	11	18	20
240157.*	ERM.44 p-M6x20-*	44	M6	52	14.5	30	33	24.5	3.5	20.5	10	20	11	18	21
240159.*	ERM.44 p-M6x25-*	44	M6	52	14.5	30	33	24.5	3.5	20.5	10	25	11	18	22
240161.*	ERM.44 p-M6x32-*	44	M6	52	14.5	30	33	24.5	3.5	20.5	10	32	11	18	23
240163.*	ERM.44 p-M6x40-*	44	M6	52	14.5	30	33	24.5	3.5	20.5	10	40	11	18	24
240165.*	ERM.44 p-M6x50-*	44	M6	52	14.5	30	33	24.5	3.5	20.5	10	50	11	18	25
240233.*	ERM.63 p-M6x12-*	63	M6	73.5	18	38	41	31	3.5	27	13.5	12	13.5	24	47
240235.*	ERM.63 p-M6x16-*	63	M6	73.5	18	38	41	31	3.5	27	13.5	16	13.5	24	49
240237.*	ERM.63 p-M6x20-*	63	M6	73.5	18	38	41	31	3.5	27	13.5	20	13.5	24	55
240239.*	ERM.63 p-M6x25-*	63	M6	73.5	18	38	41	31	3.5	27	13.5	25	13.5	24	57
240241.*	ERM.63 p-M6x32-*	63	M6	73.5	18	38	41	31	3.5	27	13.5	32	13.5	24	61
240243.*	ERM.63 p-M6x40-*	63	M6	73.5	18	38	41	31	3.5	27	13.5	40	13.5	24	68
240245.*	ERM.63 p-M6x50-*	63	M6	73.5	18	38	41	31	3.5	27	13.5	50	13.5	24	77
240247.*	ERM.63 p-M6x63-*	63	M6	73.5	18	38	41	31	3.5	27	13.5	63	13.5	24	79
240251.*	ERM.63 p-M8x12-*	63	M8	73.5	18	38	41	31	3.5	27	13.5	12	13.5	24	40
240253.*	ERM.63 p-M8x16-*	63	M8	73.5	18	38	41	31	3.5	27	13.5	16	13.5	24	41
240255.*	ERM.63 p-M8x20-*	63	M8	73.5	18	38	41	31	3.5	27	13.5	20	13.5	24	42
240257.*	ERM.63 p-M8x25-*	63	M8	73.5	18	38	41	31	3.5	27	13.5	25	13.5	24	43
240259.*	ERM.63 p-M8x32-*	63	M8	73.5	18	38	41	31	3.5	27	13.5	32	13.5	24	44
240261.*	ERM.63 p-M8x40-*	63	M8	73.5	18	38	41	31	3.5	27	13.5	40	13.5	24	46
240263.*	ERM.63 p-M8x50-*	63	M8	73.5	18	38	41	31	3.5	27	13.5	50	13.5	24	48
240265.*	ERM.63 p-M8x63-*	63	M8	73.5	18	38	41	31	3.5	27	13.5	63	13.5	24	51
240273.*	ERM.63 p-M10x20-*	63	M10	73.5	18	38	41	31	3.5	27	13.5	20	13.5	24	42
240275.*	ERM.63 p-M10x25-*	63	M10	73.5	18	38	41	31	3.5	27	13.5	25	13.5	24	43
240277.*	ERM.63 p-M10x32-*	63	M10	73.5	18	38	41	31	3.5	27	13.5	32	13.5	24	45
240279.*	ERM.63 p-M10x40-*	63	M10	73.5	18	38	41	31	3.5	27	13.5	40	13.5	24	47
240281.*	ERM.63 p-M10x50-*	63	M10	73.5	18	38	41	31	3.5	27	13.5	50	13.5	24	52
240283.*	ERM.63 p-M10x63-*	63	M10	73.5	18	38	41	31	3.5	27	13.5	63	13.5	24	53
240285.*	ERM.63 p-M10x80-*	63	M10	73.5	18	38	41	31	3.5	27	13.5	80	13.5	24	57

Klemmhebel, Spannhebel



\*Ergänzen mit Farbcode des Hebelkörper: 240103-C2 ERM.44 p-M4x12-C2

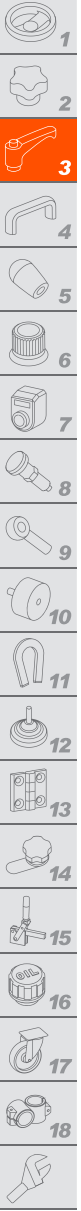
■ C2 RAL2004    
 ■ C6 RAL3000    
 ■ C8 RAL9006    
 ■ C9 RAL9005

ERM-p

Code	Artikelnummer	R	d	L	D	H	H1	h1	h2	h3	d1	l	l1	Anzahl der Zähne	⚖
240333*	ERM.78 p-M8x16*	78	M8	90.5	21.5	46	50	36	3.5	34.5	16	16	16	26	70
240335*	ERM.78 p-M8x20*	78	M8	90.5	21.5	46	50	36	3.5	34.5	16	20	16	26	73
240337*	ERM.78 p-M8x25*	78	M8	90.5	21.5	46	50	36	3.5	34.5	16	25	16	26	76
240339*	ERM.78 p-M8x32*	78	M8	90.5	21.5	46	50	36	3.5	34.5	16	32	16	26	81
240341*	ERM.78 p-M8x40*	78	M8	90.5	21.5	46	50	36	3.5	34.5	16	40	16	26	86
240343*	ERM.78 p-M8x50*	78	M8	90.5	21.5	46	50	36	3.5	34.5	16	50	16	26	88
240345*	ERM.78 p-M8x63*	78	M8	90.5	21.5	46	50	36	3.5	34.5	16	63	16	26	94
240347*	ERM.78 p-M8x80*	78	M8	90.5	21.5	46	50	36	3.5	34.5	16	80	16	26	97
240351*	ERM.78 p-M10x16*	78	M10	90.5	21.5	46	50	36	3.5	34.5	16	16	16	26	82
240353*	ERM.78 p-M10x20*	78	M10	90.5	21.5	46	50	36	3.5	34.5	16	20	16	26	85
240355*	ERM.78 p-M10x25*	78	M10	90.5	21.5	46	50	36	3.5	34.5	16	25	16	26	91
240357*	ERM.78 p-M10x32*	78	M10	90.5	21.5	46	50	36	3.5	34.5	16	32	16	26	98
240359*	ERM.78 p-M10x40*	78	M10	90.5	21.5	46	50	36	3.5	34.5	16	40	16	26	108
240361*	ERM.78 p-M10x50*	78	M10	90.5	21.5	46	50	36	3.5	34.5	16	50	16	26	120
240363*	ERM.78 p-M10x63*	78	M10	90.5	21.5	46	50	36	3.5	34.5	16	63	16	26	124
240365*	ERM.78 p-M10x80*	78	M10	90.5	21.5	46	50	36	3.5	34.5	16	80	16	26	127
240373*	ERM.78 p-M12x25*	78	M12	90.5	21.5	46	50	36	3.5	34.5	16	25	16	26	109
240375*	ERM.78 p-M12x32*	78	M12	90.5	21.5	46	50	36	3.5	34.5	16	32	16	26	118
240377*	ERM.78 p-M12x40*	78	M12	90.5	21.5	46	50	36	3.5	34.5	16	40	16	26	130
240379*	ERM.78 p-M12x50*	78	M12	90.5	21.5	46	50	36	3.5	34.5	16	50	16	26	144
240381*	ERM.78 p-M12x63*	78	M12	90.5	21.5	46	50	36	3.5	34.5	16	63	16	26	149
240383*	ERM.78 p-M12x80*	78	M12	90.5	21.5	46	50	36	3.5	34.5	16	80	16	26	152
240423*	ERM.95 p-M10x16*	95	M10	109	25	56	61	43	5	42	19	16	18	28	111
240425*	ERM.95 p-M10x20*	95	M10	109	25	56	61	43	5	42	19	20	18	28	113
240427*	ERM.95 p-M10x25*	95	M10	109	25	56	61	43	5	42	19	25	18	28	115
240429*	ERM.95 p-M10x32*	95	M10	109	25	56	61	43	5	42	19	32	18	28	118
240431*	ERM.95 p-M10x40*	95	M10	109	25	56	61	43	5	42	19	40	18	28	121
240433*	ERM.95 p-M10x50*	95	M10	109	25	56	61	43	5	42	19	50	18	28	128
240435*	ERM.95 p-M10x63*	95	M10	109	25	56	61	43	5	42	19	63	18	28	133
240437*	ERM.95 p-M10x80*	95	M10	109	25	56	61	43	5	42	19	80	18	28	141
240447*	ERM.95 p-M12x16*	95	M12	109	25	56	61	43	5	42	19	16	18	28	113
240449*	ERM.95 p-M12x20*	95	M12	109	25	56	61	43	5	42	19	20	18	28	117
240451*	ERM.95 p-M12x25*	95	M12	109	25	56	61	43	5	42	19	25	18	28	122
240453*	ERM.95 p-M12x32*	95	M12	109	25	56	61	43	5	42	19	32	18	28	125
240455*	ERM.95 p-M12x40*	95	M12	109	25	56	61	43	5	42	19	40	18	28	132
240457*	ERM.95 p-M12x50*	95	M12	109	25	56	61	43	5	42	19	50	18	28	141
240459*	ERM.95 p-M12x63*	95	M12	109	25	56	61	43	5	42	19	63	18	28	151
240461*	ERM.95 p-M12x80*	95	M12	109	25	56	61	43	5	42	19	80	18	28	160
240473*	ERM.95 p-M16x25*	95	M16	109	25	56	61	43	5	42	19	25	18	28	139
240475*	ERM.95 p-M16x32*	95	M16	109	25	56	61	43	5	42	19	32	18	28	146
240477*	ERM.95 p-M16x40*	95	M16	109	25	56	61	43	5	42	19	40	18	28	154
240479*	ERM.95 p-M16x50*	95	M16	109	25	56	61	43	5	42	19	50	18	28	171
240481*	ERM.95 p-M16x63*	95	M16	109	25	56	61	43	5	42	19	63	18	28	184
240483*	ERM.95 p-M16x80*	95	M16	109	25	56	61	43	5	42	19	80	18	28	199



Klemmhebel, Spannhebel



\*Ergänzen mit Farbcode des Hebelkörpers: 241133-C2 ERM.44 SST-p-M5x12-C2

C2 RAL2004 C6 RAL3000 C8 RAL9006 C9 RAL9005



ERM-SST-p

Code	Artikelnummer	R	d	L	D	H	H1	h1	h2	h3	d1	l	l1	Anzahl der Zähne	
241133.*	ERM.44 SST-p-M5x12.*	44	M5	52	14.5	30	33	24.5	3.5	20.5	10	12	11	18	17
241135.*	ERM.44 SST-p-M5x16.*	44	M5	52	14.5	30	33	24.5	3.5	20.5	10	16	11	18	18
241137.*	ERM.44 SST-p-M5x20.*	44	M5	52	14.5	30	33	24.5	3.5	20.5	10	20	11	18	19
241139.*	ERM.44 SST-p-M5x25.*	44	M5	52	14.5	30	33	24.5	3.5	20.5	10	25	11	18	20
241141.*	ERM.44 SST-p-M5x32.*	44	M5	52	14.5	30	33	24.5	3.5	20.5	10	32	11	18	21
241143.*	ERM.44 SST-p-M5x40.*	44	M5	52	14.5	30	33	24.5	3.5	20.5	10	40	11	18	22
241145.*	ERM.44 SST-p-M5x50.*	44	M5	52	14.5	30	33	24.5	3.5	20.5	10	50	11	18	23
241153.*	ERM.44 SST-p-M6x12.*	44	M6	52	14.5	30	33	24.5	3.5	20.5	10	12	11	18	19
241155.*	ERM.44 SST-p-M6x16.*	44	M6	52	14.5	30	33	24.5	3.5	20.5	10	16	11	18	20
241157.*	ERM.44 SST-p-M6x20.*	44	M6	52	14.5	30	33	24.5	3.5	20.5	10	20	11	18	21
241159.*	ERM.44 SST-p-M6x25.*	44	M6	52	14.5	30	33	24.5	3.5	20.5	10	25	11	18	22
241161.*	ERM.44 SST-p-M6x32.*	44	M6	52	14.5	30	33	24.5	3.5	20.5	10	32	11	18	23
241163.*	ERM.44 SST-p-M6x40.*	44	M6	52	14.5	30	33	24.5	3.5	20.5	10	40	11	18	24
241165.*	ERM.44 SST-p-M6x50.*	44	M6	52	14.5	30	33	24.5	3.5	20.5	10	50	11	18	25
241235.*	ERM.63 SST-p-M6x16.*	63	M6	73.5	18	38	41	31	3.5	27	13.5	16	13.5	24	49
241237.*	ERM.63 SST-p-M6x20.*	63	M6	73.5	18	38	41	31	3.5	27	13.5	20	13.5	24	55
241239.*	ERM.63 SST-p-M6x25.*	63	M6	73.5	18	38	41	31	3.5	27	13.5	25	13.5	24	57
241241.*	ERM.63 SST-p-M6x32.*	63	M6	73.5	18	38	41	31	3.5	27	13.5	32	13.5	24	61
241243.*	ERM.63 SST-p-M6x40.*	63	M6	73.5	18	38	41	31	3.5	27	13.5	40	13.5	24	68
241245.*	ERM.63 SST-p-M6x50.*	63	M6	73.5	18	38	41	31	3.5	27	13.5	50	13.5	24	77
241247.*	ERM.63 SST-p-M6x63.*	63	M6	73.5	18	38	41	31	3.5	27	13.5	63	13.5	24	79
241253.*	ERM.63 SST-p-M8x16.*	63	M8	73.5	18	38	41	31	3.5	27	13.5	16	13.5	24	59
241255.*	ERM.63 SST-p-M8x20.*	63	M8	73.5	18	38	41	31	3.5	27	13.5	20	13.5	24	66
241257.*	ERM.63 SST-p-M8x25.*	63	M8	73.5	18	38	41	31	3.5	27	13.5	25	13.5	24	69
241259.*	ERM.63 SST-p-M8x32.*	63	M8	73.5	18	38	41	31	3.5	27	13.5	32	13.5	24	73
241261.*	ERM.63 SST-p-M8x40.*	63	M8	73.5	18	38	41	31	3.5	27	13.5	40	13.5	24	82
241263.*	ERM.63 SST-p-M8x50.*	63	M8	73.5	18	38	41	31	3.5	27	13.5	50	13.5	24	92
241265.*	ERM.63 SST-p-M8x63.*	63	M8	73.5	18	38	41	31	3.5	27	13.5	63	13.5	24	95
241335.*	ERM.78 SST-p-M8x20.*	78	M8	90.5	21.5	46	50	36	3.5	34.5	16	20	16	26	69
241337.*	ERM.78 SST-p-M8x25.*	78	M8	90.5	21.5	46	50	36	3.5	34.5	16	25	16	26	75
241339.*	ERM.78 SST-p-M8x32.*	78	M8	90.5	21.5	46	50	36	3.5	34.5	16	32	16	26	80
241341.*	ERM.78 SST-p-M8x40.*	78	M8	90.5	21.5	46	50	36	3.5	34.5	16	40	16	26	88
241343.*	ERM.78 SST-p-M8x50.*	78	M8	90.5	21.5	46	50	36	3.5	34.5	16	50	16	26	98
241345.*	ERM.78 SST-p-M8x63.*	78	M8	90.5	21.5	46	50	36	3.5	34.5	16	63	16	26	101
241347.*	ERM.78 SST-p-M8x80.*	78	M8	90.5	21.5	46	50	36	3.5	34.5	16	80	16	26	104
241353.*	ERM.78 SST-p-M10x20.*	78	M10	90.5	21.5	46	50	36	3.5	34.5	16	20	16	26	85
241355.*	ERM.78 SST-p-M10x25.*	78	M10	90.5	21.5	46	50	36	3.5	34.5	16	25	16	26	91
241357.*	ERM.78 SST-p-M10x32.*	78	M10	90.5	21.5	46	50	36	3.5	34.5	16	32	16	26	98
241359.*	ERM.78 SST-p-M10x40.*	78	M10	90.5	21.5	46	50	36	3.5	34.5	16	40	16	26	108
241361.*	ERM.78 SST-p-M10x50.*	78	M10	90.5	21.5	46	50	36	3.5	34.5	16	50	16	26	120
241363.*	ERM.78 SST-p-M10x63.*	78	M10	90.5	21.5	46	50	36	3.5	34.5	16	63	16	26	124
241365.*	ERM.78 SST-p-M10x80.*	78	M10	90.5	21.5	46	50	36	3.5	34.5	16	80	16	26	127
241425.*	ERM.95 SST-p-M10x20.*	95	M10	109	25	56	61	43	5	42	19	20	18	28	113
241427.*	ERM.95 SST-p-M10x25.*	95	M10	109	25	56	61	43	5	42	19	25	18	28	115
241429.*	ERM.95 SST-p-M10x32.*	95	M10	109	25	56	61	43	5	42	19	32	18	28	118
241431.*	ERM.95 SST-p-M10x40.*	95	M10	109	25	56	61	43	5	42	19	40	18	28	121
241433.*	ERM.95 SST-p-M10x50.*	95	M10	109	25	56	61	43	5	42	19	50	18	28	128
241435.*	ERM.95 SST-p-M10x63.*	95	M10	109	25	56	61	43	5	42	19	63	18	28	133
241437.*	ERM.95 SST-p-M10x80.*	95	M10	109	25	56	61	43	5	42	19	80	18	28	141
241449.*	ERM.95 SST-p-M12x20.*	95	M12	109	25	56	61	43	5	42	19	20	18	28	117
241451.*	ERM.95 SST-p-M12x25.*	95	M12	109	25	56	61	43	5	42	19	25	18	28	122
241453.*	ERM.95 SST-p-M12x32.*	95	M12	109	25	56	61	43	5	42	19	32	18	28	125
241455.*	ERM.95 SST-p-M12x40.*	95	M12	109	25	56	61	43	5	42	19	40	18	28	132
241457.*	ERM.95 SST-p-M12x50.*	95	M12	109	25	56	61	43	5	42	19	50	18	28	141
241459.*	ERM.95 SST-p-M12x63.*	95	M12	109	25	56	61	43	5	42	19	63	18	28	151
241461.*	ERM.95 SST-p-M12x80.*	95	M12	109	25	56	61	43	5	42	19	80	18	28	160

Klemmhebel, Spannhebel