

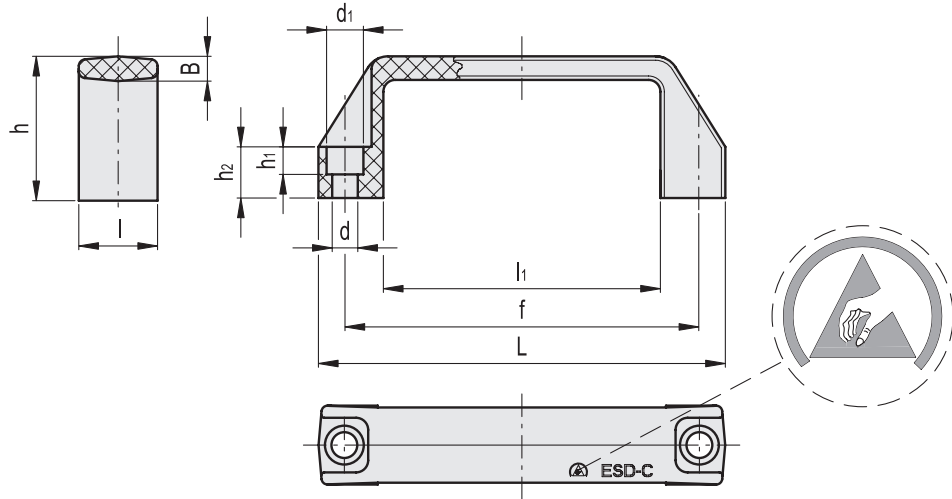






| Conversion Table 1 mm = 0.039 inch |      |     |      |      |      |
|------------------------------------|------|-----|------|------|------|
| L                                  |      | d   |      | d1   |      |
| mm                                 | inch | mm  | inch | mm   | inch |
| 109                                | 4.29 | 6.5 | 0.26 | 10.5 | 0.41 |
| 137                                | 5.39 | 8.5 | 0.33 | 13.5 | 0.53 |
| 150                                | 5.91 |     |      |      |      |
| 196                                | 7.72 |     |      |      |      |

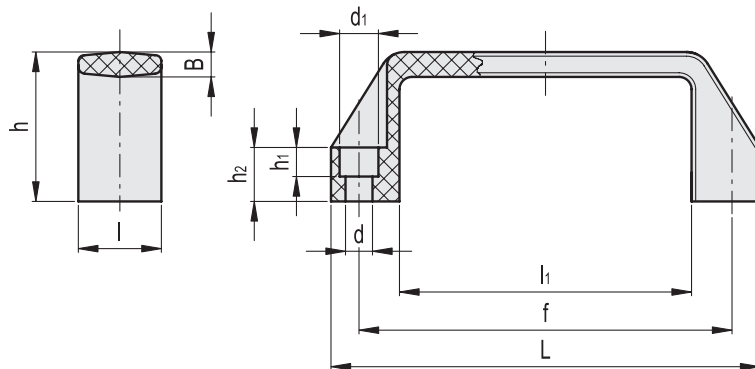
### M.443 ESD



### M.443 ESD

| Code   | Description          | L   | f        | d   | d1   | h  | h1  | h2 | B | l  | l1 | F1   | F2   | L1  | L2  | ⚖  |
|--------|----------------------|-----|----------|-----|------|----|-----|----|---|----|----|------|------|-----|-----|----|
|        |                      |     |          |     |      |    |     |    |   |    |    | [N]  | [N]  | [J] | [J] |    |
| 154601 | M.443/110-CH-ESD-C   | 109 | 93.5±0.5 | 6.5 | 10.5 | 38 | 7   | 13 | 6 | 21 | 74 | 3500 | 2500 | 15  | 8   | 21 |
| 154611 | M.443/140-8-CH-ESD-C | 137 | 117±1    | 8.5 | 13.5 | 41 | 8.5 | 15 | 7 | 26 | 93 | 4500 | 2500 | 20  | 13  | 34 |

### M.443 AE-V0



### M.443 AE-V0

| Code   | Description       | L   | f        | d   | d1   | h  | h1  | h2 | B   | l  | l1  | F1   | F2   | L1  | L2  | ⚖  |
|--------|-------------------|-----|----------|-----|------|----|-----|----|-----|----|-----|------|------|-----|-----|----|
|        |                   |     |          |     |      |    |     |    |     |    |     | [N]  | [N]  | [J] | [J] |    |
| 150001 | M.443/110 AE-V0   | 109 | 93.5±0.5 | 6.5 | 10.5 | 38 | 7   | 13 | 6   | 21 | 74  | 1750 | 1700 | 9   | 5   | 28 |
| 150012 | M.443/140-6 AE-V0 | 137 | 117±1    | 6.5 | 10.5 | 41 | 7   | 15 | 7   | 26 | 93  | 3500 | 2200 | 10  | 8   | 51 |
| 150011 | M.443/140 AE-V0   | 137 | 117±1    | 8.5 | 13.5 | 41 | 8.5 | 15 | 7   | 26 | 93  | 3500 | 2200 | 10  | 8   | 50 |
| 150021 | M.443/150 AE-V0   | 150 | 132±1    | 8.5 | 13.5 | 45 | 8.5 | 16 | 7   | 27 | 108 | 3000 | 1800 | 12  | 8   | 55 |
| 150031 | M.443/200 AE-V0   | 196 | 179±1    | 8.5 | 13.5 | 50 | 8.5 | 17 | 7.5 | 28 | 151 | 1400 | 2100 | 20  | 13  | 80 |