

Levelling elements



- **Base**
Glass-fibre reinforced polyamide based (PA) technopolymer. Resistant to solvents, oils, greases and other chemical agents.
- **Colour**
Black, matte finish.
- **Articulated stem**
Threaded zinc-plated steel with regulation hexagon.
- **Standard executions**
 - LV.A: without no-slip disk.
 - LV.A-AS: with NBR rubber no-slip disk, hardness 70 Shore A, supplied assembled to the base.

Features and applications

The special knurling under the lower lip of the base provides excellent stability and grip when using the levelling element without no-slip disk even on surfaces that are not perfectly flat.

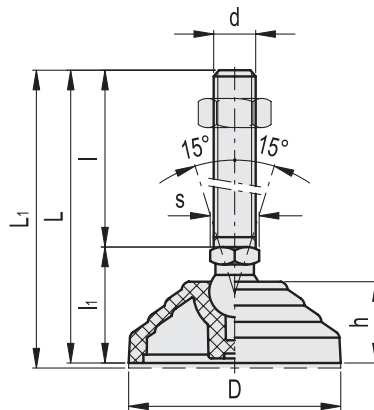
The particular assembling system of the no-slip disk to the base assures a perfect anchoring, preventing separation even in case of impact during transport or of adhesion (sticking) to the floor (see No-slip disk).

Order information

The levelling elements are supplied unassembled to make carriage and storage easier. The components (base and stem) are supplied in separate packing: less volume taken and better protection from scratches and dirt. To order bases and stems separately, see codes of the Bases and of the Stems.

Accessories on request

Zinc-plated steel nut (see Nuts NT).




Conversion Table	
1 mm = 0.039 inch	
D	
mm	inch
60	2.36
70	2.76
80	3.15
100	3.94
125	4.92

LV.A

Code	Description	D	d	L	l	l ₁	h	s	Articulation ∅	Max. limit stati load* [N]	⚖️
303121	LV.A-60-14-M8x43	60	M8	76	43	33	24	14	14	14000	62
303125	LV.A-60-14-M8x68	60	M8	101	68	33	24	14	14	14000	74
303221	LV.A-60-14-M10x43	60	M10	76	43	33	24	14	14	14000	71
303225	LV.A-60-14-M10x68	60	M10	101	68	33	24	14	14	14000	83
303231	LV.A-60-14-M10x98	60	M10	131	98	33	24	14	14	14000	97


* The max static load is the value above which the load applied to the element may cause some plastic material breakage, in particular conditions of use. Obviously, a factor that takes into consideration the importance and the safety level of the specific application must be applied to this value.

LVA


Code	Description	D	d	L	l	l ₁	h	s	Articulation ∅	Max. limit stati load* [N]	
303231	LVA-60-14-M10x98	60	M10	131	98	33	24	14	14	14000	97
303321	LVA-60-14-M12x43	60	M12	76	43	33	24	14	14	14000	81
303325	LVA-60-14-M12x68	60	M12	101	68	33	24	14	14	14000	98
303331	LVA-60-14-M12x98	60	M12	131	98	33	24	14	14	14000	119
303521	LVA-60-14-M16x68	60	M16	101	68	33	24	16	14	14000	142
303525	LVA-60-14-M16x108	60	M16	141	108	33	24	16	14	14000	194
303541	LVA-60-14-M16x148	60	M16	181	148	33	24	16	14	14000	246
303561	LVA-60-14-M16x168	60	M16	201	168	33	24	16	14	14000	272
303621	LVA-60-24-M16x58	60	M16	101	58	43	24	24	24	18000	205
303625	LVA-60-24-M16x98	60	M16	141	98	43	24	24	24	18000	256
303641	LVA-60-24-M16x138	60	M16	181	138	43	24	24	24	18000	306
303661	LVA-60-24-M16x158	60	M16	201	158	43	24	24	24	18000	333
303725	LVA-60-24-M20x98	60	M20	141	98	43	24	24	24	18000	326
303741	LVA-60-24-M20x138	60	M20	181	138	43	24	24	24	18000	405
303761	LVA-60-24-M20x158	60	M20	201	158	43	24	24	24	18000	444
303781	LVA-60-24-M20x198	60	M20	241	198	43	24	24	24	18000	527
303825	LVA-60-24-M24x98	60	M24	141	98	43	24	24	24	18000	424
303861	LVA-60-24-M24x158	60	M24	201	158	43	24	24	24	18000	596
303881	LVA-60-24-M24x198	60	M24	241	198	43	24	24	24	18000	714
304005	LVA-70-14-M8x43	70	M8	71	43	28	19	14	14	14000	60
304011	LVA-70-14-M8x68	70	M8	96	68	28	19	14	14	14000	72
304021	LVA-70-14-M10x43	70	M10	71	43	28	19	14	14	14000	69
304025	LVA-70-14-M10x68	70	M10	96	68	28	19	14	14	14000	81
304031	LVA-70-14-M10x98	70	M10	126	98	28	19	14	14	14000	95
304061	LVA-70-14-M12x43	70	M12	71	43	28	19	14	14	14000	79
304065	LVA-70-14-M12x68	70	M12	96	68	28	19	14	14	14000	96
304071	LVA-70-14-M12x98	70	M12	126	98	28	19	14	14	14000	117
304101	LVA-70-14-M16x68	70	M16	96	68	28	19	16	14	14000	140
304105	LVA-70-14-M16x108	70	M16	136	108	28	19	16	14	14000	192
304111	LVA-70-14-M16x148	70	M16	176	148	28	19	16	14	14000	244
304115	LVA-70-14-M16x168	70	M16	196	168	28	19	16	14	14000	270
304121	LVA-80-14-M8x43	80	M8	76	43	33	24	14	14	16000	83
304125	LVA-80-14-M8x68	80	M8	101	68	33	24	14	14	16000	95
304221	LVA-80-14-M10x43	80	M10	76	43	33	24	14	14	16000	92
304225	LVA-80-14-M10x68	80	M10	101	68	33	24	14	14	16000	104
304231	LVA-80-14-M10x98	80	M10	131	98	33	24	14	14	16000	118
304321	LVA-80-14-M12x43	80	M12	76	43	33	24	14	14	16000	102
304325	LVA-80-14-M12x68	80	M12	101	68	33	24	14	14	16000	119
304331	LVA-80-14-M12x98	80	M12	131	98	33	24	14	14	16000	140
304521	LVA-80-14-M16x68	80	M16	101	68	33	24	16	14	16000	163
304525	LVA-80-14-M16x108	80	M16	141	108	33	24	16	14	16000	215
304541	LVA-80-14-M16x148	80	M16	181	148	33	24	16	14	16000	267
304561	LVA-80-14-M16x168	80	M16	201	168	33	24	16	14	16000	293
304621	LVA-80-24-M16x58	80	M16	101	58	43	24	24	24	18000	225
304625	LVA-80-24-M16x98	80	M16	141	98	43	24	24	24	18000	276
304641	LVA-80-24-M16x138	80	M16	181	138	43	24	24	24	18000	326
304661	LVA-80-24-M16x158	80	M16	201	158	43	24	24	24	18000	353
304725	LVA-80-24-M20x98	80	M20	141	98	43	24	24	24	18000	346
304741	LVA-80-24-M20x138	80	M20	181	138	43	24	24	24	18000	425
304761	LVA-80-24-M20x158	80	M20	201	158	43	24	24	24	18000	464
304781	LVA-80-24-M20x198	80	M20	241	198	43	24	24	24	18000	547
304825	LVA-80-24-M24x98	80	M24	141	98	43	24	24	24	18000	444
304861	LVA-80-24-M24x158	80	M24	201	158	43	24	24	24	18000	616
304881	LVA-80-24-M24x198	80	M24	241	198	43	24	24	24	18000	734

* The max static load is the value above which the load applied to the element may cause some plastic material breakage, in particular conditions of use. Obviously, a factor that takes into consideration the importance and the safety level of the specific application must be applied to this value.

LV.A


Code	Description	D	d	L	l	l ₁	h	s	Articulation ∅	Max. limit stati load* [N]	
305451	LV.A-100-14-M8x43	100	M8	76	43	33	24	14	14	18000	91
305453	LV.A-100-14-M8x68	100	M8	101	68	33	24	14	14	18000	103
305461	LV.A-100-14-M10x43	100	M10	76	43	33	24	14	14	18000	100
305463	LV.A-100-14-M10x68	100	M10	101	68	33	24	14	14	18000	112
305465	LV.A-100-14-M10x98	100	M10	131	98	33	24	14	14	18000	126
305471	LV.A-100-14-M12x43	100	M12	76	43	33	24	14	14	18000	110
305473	LV.A-100-14-M12x68	100	M12	101	68	33	24	14	14	18000	127
305475	LV.A-100-14-M12x98	100	M12	131	98	33	24	14	14	18000	148
305481	LV.A-100-14-M16x68	100	M16	101	68	33	24	16	14	18000	171
305483	LV.A-100-14-M16x108	100	M16	141	108	33	24	16	14	18000	223
305485	LV.A-100-14-M16x148	100	M16	181	148	33	24	16	14	18000	275
305487	LV.A-100-14-M16x168	100	M16	201	168	33	24	16	14	18000	301
305521	LV.A-100-24-M16x58	100	M16	101	58	43	24	24	24	25000	251
305525	LV.A-100-24-M16x98	100	M16	141	98	43	24	24	24	25000	302
305541	LV.A-100-24-M16x138	100	M16	181	138	43	24	24	24	25000	352
305561	LV.A-100-24-M16x158	100	M16	201	158	43	24	24	24	25000	379
305625	LV.A-100-24-M20x98	100	M20	141	98	43	24	24	24	25000	372
305641	LV.A-100-24-M20x138	100	M20	181	138	43	24	24	24	25000	451
305661	LV.A-100-24-M20x158	100	M20	201	158	43	24	24	24	25000	490
305681	LV.A-100-24-M20x198	100	M20	241	198	43	24	24	24	25000	573
305725	LV.A-100-24-M24x98	100	M24	141	98	43	24	24	24	25000	470
305761	LV.A-100-24-M24x158	100	M24	201	158	43	24	24	24	25000	642
305781	LV.A-100-24-M24x198	100	M24	241	198	43	24	24	24	25000	760
306521	LV.A-125-24-M16x58	125	M16	125	58	67	46	24	24	28000	386
306525	LV.A-125-24-M16x98	125	M16	165	98	67	46	24	24	28000	437
306541	LV.A-125-24-M16x138	125	M16	205	138	67	46	24	24	28000	487
306561	LV.A-125-24-M16x158	125	M16	225	158	67	46	24	24	28000	514
306625	LV.A-125-24-M20x98	125	M20	165	98	67	46	24	24	28000	507
306641	LV.A-125-24-M20x138	125	M20	205	138	67	46	24	24	28000	586
306661	LV.A-125-24-M20x158	125	M20	225	158	67	46	24	24	28000	625
306681	LV.A-125-24-M20x198	125	M20	265	198	67	46	24	24	28000	708
306725	LV.A-125-24-M24x98	125	M24	165	98	67	46	24	24	28000	605
306761	LV.A-125-24-M24x158	125	M24	225	158	67	46	24	24	28000	777
306781	LV.A-125-24-M24x198	125	M24	265	198	67	46	24	24	28000	895

LV.A-AS

Code	Description	D	d	L	L ₁	l	l ₁	h	s	Articulation ∅	Max. limit stati load* [N]	
307121	LV.A-60-14-AS-M8x43	60	M8	76	79	43	33	24	14	14	14000	81
307125	LV.A-60-14-AS-M8x68	60	M8	101	104	68	33	24	14	14	14000	93
307221	LV.A-60-14-AS-M10x43	60	M10	76	79	43	33	24	14	14	14000	90
307225	LV.A-60-14-AS-M10x68	60	M10	101	104	68	33	24	14	14	14000	102
307231	LV.A-60-14-AS-M10x98	60	M10	131	134	98	33	24	14	14	14000	116
307321	LV.A-60-14-AS-M12x43	60	M12	76	79	43	33	24	14	14	14000	100
307325	LV.A-60-14-AS-M12x68	60	M12	101	104	68	33	24	14	14	14000	117
307331	LV.A-60-14-AS-M12x98	60	M12	131	134	98	33	24	14	14	14000	138
307521	LV.A-60-14-AS-M16x68	60	M16	101	104	68	33	24	16	14	14000	161
307525	LV.A-60-14-AS-M16x108	60	M16	141	144	108	33	24	16	14	14000	213
307541	LV.A-60-14-AS-M16x148	60	M16	181	184	148	33	24	16	14	14000	265
307561	LV.A-60-14-AS-M16x168	60	M16	201	204	168	33	24	16	14	14000	291
307621	LV.A-60-24-AS-M16x58	60	M16	101	104	58	43	24	24	24	18000	224
307625	LV.A-60-24-AS-M16x98	60	M16	141	144	98	43	24	24	24	18000	275
307641	LV.A-60-24-AS-M16x138	60	M16	181	184	138	43	24	24	24	18000	325
307661	LV.A-60-24-AS-M16x158	60	M16	201	204	158	43	24	24	24	18000	352

* The max static load is the value above which the load applied to the element may cause some plastic material breakage, in particular conditions of use. Obviously, a factor that takes into consideration the importance and the safety level of the specific application must be applied to this value.


LVA-AS

Code	Description	D	d	L	L ₁	l	l ₁	h	s	Articulation ∅	Max. limit stati load* [N]	
307725	LVA-60-24-AS-M20x98	60	M20	141	144	98	43	24	24	24	18000	345
307741	LVA-60-24-AS-M20x138	60	M20	181	184	138	43	24	24	24	18000	424
307761	LVA-60-24-AS-M20x158	60	M20	201	204	158	43	24	24	24	18000	463
307781	LVA-60-24-AS-M20x198	60	M20	241	244	198	43	24	24	24	18000	546
307825	LVA-60-24-AS-M24x98	60	M24	141	144	98	43	24	24	24	18000	443
307861	LVA-60-24-AS-M24x158	60	M24	201	204	158	43	24	24	24	18000	615
307881	LVA-60-24-AS-M24x198	60	M24	241	244	198	43	24	24	24	18000	733
308005	LVA-70-14-AS-M8x43	70	M8	71	74	43	28	19	14	14	14000	80
308011	LVA-70-14-AS-M8x68	70	M8	96	99	68	28	19	14	14	14000	92
308021	LVA-70-14-AS-M10x43	70	M10	71	74	43	28	19	14	14	14000	89
308025	LVA-70-14-AS-M10x68	70	M10	96	99	68	28	19	14	14	14000	101
308031	LVA-70-14-AS-M10x98	70	M10	126	129	98	28	19	14	14	14000	115
308061	LVA-70-14-AS-M12x43	70	M12	71	74	43	28	19	14	14	14000	99
308065	LVA-70-14-AS-M12x68	70	M12	96	99	68	28	19	14	14	14000	116
308071	LVA-70-14-AS-M12x98	70	M12	126	129	98	28	19	14	14	14000	137
308101	LVA-70-14-AS-M16x68	70	M16	96	99	68	28	19	16	14	14000	160
308105	LVA-70-14-AS-M16x108	70	M16	136	139	108	28	19	16	14	14000	212
308111	LVA-70-14-AS-M16x148	70	M16	176	179	148	28	19	16	14	14000	264
308115	LVA-70-14-AS-M16x168	70	M16	196	199	168	28	19	16	14	14000	290
308121	LVA-80-14-AS-M8x43	80	M8	76	79	43	33	24	14	14	16000	109
308125	LVA-80-14-AS-M8x68	80	M8	101	104	68	33	24	14	14	16000	121
308221	LVA-80-14-AS-M10x43	80	M10	76	79	43	33	24	14	14	16000	118
308225	LVA-80-14-AS-M10x68	80	M10	101	104	68	33	24	14	14	16000	130
308231	LVA-80-14-AS-M10x98	80	M10	131	134	98	33	24	14	14	16000	144
308321	LVA-80-14-AS-M12x43	80	M12	76	79	43	33	24	14	14	16000	128
308325	LVA-80-14-AS-M12x68	80	M12	101	104	68	33	24	14	14	16000	145
308331	LVA-80-14-AS-M12x98	80	M12	131	134	98	33	24	14	14	16000	166
308521	LVA-80-14-AS-M16x68	80	M16	101	104	68	33	24	16	14	16000	189
308525	LVA-80-14-AS-M16x108	80	M16	141	144	108	33	24	16	14	16000	241
308541	LVA-80-14-AS-M16x148	80	M16	181	184	148	33	24	16	14	16000	293
308561	LVA-80-14-AS-M16x168	80	M16	201	204	168	33	24	16	14	16000	319
308621	LVA-80-24-AS-M16x58	80	M16	101	104	58	43	24	24	24	18000	251
308625	LVA-80-24-AS-M16x98	80	M16	141	144	98	43	24	24	24	18000	302
308641	LVA-80-24-AS-M16x138	80	M16	181	184	138	43	24	24	24	18000	352
308661	LVA-80-24-AS-M16x158	80	M16	201	204	158	43	24	24	24	18000	379
308725	LVA-80-24-AS-M20x98	80	M20	141	144	98	43	24	24	24	18000	372
308741	LVA-80-24-AS-M20x138	80	M20	181	184	138	43	24	24	24	18000	451
308761	LVA-80-24-AS-M20x158	80	M20	201	204	158	43	24	24	24	18000	490
308781	LVA-80-24-AS-M20x198	80	M20	241	244	198	43	24	24	24	18000	573
308825	LVA-80-24-AS-M24x98	80	M24	141	144	98	43	24	24	24	18000	470
308861	LVA-80-24-AS-M24x158	80	M24	201	204	158	43	24	24	24	18000	642
308881	LVA-80-24-AS-M24x198	80	M24	241	244	198	43	24	24	24	18000	760
309451	LVA-100-14-AS-M8x43	100	M8	76	79	43	33	24	14	14	18000	146
309453	LVA-100-14-AS-M8x68	100	M8	101	104	68	33	24	14	14	18000	158
309461	LVA-100-14-AS-M10x43	100	M10	76	79	43	33	24	14	14	18000	155
309463	LVA-100-14-AS-M10x68	100	M10	101	104	68	33	24	14	14	18000	167
309465	LVA-100-14-AS-M10x98	100	M10	131	134	98	33	24	14	14	18000	181
309471	LVA-100-14-AS-M12x43	100	M12	76	79	43	33	24	14	14	18000	165
309473	LVA-100-14-AS-M12x68	100	M12	101	104	68	33	24	14	14	18000	182
309475	LVA-100-14-AS-M12x98	100	M12	131	134	98	33	24	14	14	18000	203
309481	LVA-100-14-AS-M16x68	100	M16	101	104	68	33	24	16	14	18000	226
309483	LVA-100-14-AS-M16x108	100	M16	141	144	108	33	24	16	14	18000	278

* The max static load is the value above which the load applied to the element may cause some plastic material breakage, in particular conditions of use. Obviously, a factor that takes into consideration the importance and the safety level of the specific application must be applied to this value.

Conversion Table	
1 mm = 0.039 inch	
D	
mm	inch
60	2.36
70	2.76
80	3.15
100	3.94
125	4.92

LVA-AS

Code	Description	D	d	L	L ₁	l	l ₁	h	s	Articulation ∅	Max. limit stati load* [N]	
309485	LVA-100-14-AS-M16x148	100	M16	181	184	148	33	24	16	14	18000	330
309487	LVA-100-14-AS-M16x168	100	M16	201	204	168	33	24	16	14	18000	356
309521	LVA-100-24-AS-M16x58	100	M16	101	104	58	43	24	24	24	25000	305
309525	LVA-100-24-AS-M16x98	100	M16	141	144	98	43	24	24	24	25000	356
309541	LVA-100-24-AS-M16x138	100	M16	181	184	138	43	24	24	24	25000	406
309561	LVA-100-24-AS-M16x158	100	M16	201	204	158	43	24	24	24	25000	433
309625	LVA-100-24-AS-M20x98	100	M20	141	144	98	43	24	24	24	25000	426
309641	LVA-100-24-AS-M20x138	100	M20	181	184	138	43	24	24	24	25000	505
309661	LVA-100-24-AS-M20x158	100	M20	201	204	158	43	24	24	24	25000	544
309681	LVA-100-24-AS-M20x198	100	M20	241	244	198	43	24	24	24	25000	627
309725	LVA-100-24-AS-M24x98	100	M24	141	144	98	43	24	24	24	25000	524
309761	LVA-100-24-AS-M24x158	100	M24	201	204	158	43	24	24	24	25000	696
309781	LVA-100-24-AS-M24x198	100	M24	241	244	198	43	24	24	24	25000	814
310221	LVA-125-24-AS-M16x58	125	M16	125	128	58	67	46	24	24	28000	512
310225	LVA-125-24-AS-M16x98	125	M16	165	168	98	67	46	24	24	28000	563
310241	LVA-125-24-AS-M16x138	125	M16	205	208	138	67	46	24	24	28000	613
310261	LVA-125-24-AS-M16x158	125	M16	225	228	158	67	46	24	24	28000	640
310325	LVA-125-24-AS-M20x98	125	M20	165	168	98	67	46	24	24	28000	633
310341	LVA-125-24-AS-M20x138	125	M20	205	208	138	67	46	24	24	28000	712
310361	LVA-125-24-AS-M20x158	125	M20	225	228	158	67	46	24	24	28000	751
310381	LVA-125-24-AS-M20x198	125	M20	265	268	198	67	46	24	24	28000	834
310425	LVA-125-24-AS-M24x98	125	M24	165	168	98	67	46	24	24	28000	731
310461	LVA-125-24-AS-M24x158	125	M24	225	228	158	67	46	24	24	28000	903
310481	LVA-125-24-AS-M24x198	125	M24	265	268	198	67	46	24	24	28000	1021

* The max static load is the value above which the load applied to the element may cause some plastic material breakage, in particular conditions of use. Obviously, a factor that takes into consideration the importance and the safety level of the specific application must be applied to this value.